



US00D679018S

(12) **United States Design Patent**
Fullerton et al.

(10) **Patent No.:** **US D679,018 S**

(45) **Date of Patent:** **** Mar. 26, 2013**

(54) **COMMUNICATOR**

(75) Inventors: **Bruce Fullerton**, Hudson, WI (US);
John LaLonde, Lake Elmo, MN (US)

(73) Assignee: **Cardiac Pacemakers, Inc.**, St. Paul,
MN (US)

(**) Term: **14 Years**

(21) Appl. No.: **29/412,381**

(22) Filed: **Feb. 2, 2012**

(51) **LOC (9) Cl.** **24-01**

(52) **U.S. Cl.** **D24/167**

(58) **Field of Classification Search** D24/165-168,
D24/107, 185, 186, 187; D10/31, 32, 38,
D10/46, 78, 98; 600/301, 382, 384, 481,
600/483, 485, 500-504, 508, 509, 587, 30,
600/32; D14/336, 341, 371, 126; 607/60,
607/119

See application file for complete search history.

(56) **References Cited**

U.S. PATENT DOCUMENTS

| | | | | |
|--------------|--------|-------------------|-------|---------|
| D338,658 S * | 8/1993 | Suzuki | | D24/186 |
| D446,306 S * | 8/2001 | Ochi et al. | | D24/167 |
| D468,735 S * | 1/2003 | Landerholm et al. | | D14/336 |
| D490,516 S * | 5/2004 | Takahashi et al. | | D24/107 |
| D508,565 S * | 8/2005 | Nepin et al. | | D24/186 |

| | | | | |
|-------------------|---------|------------------|-------|---------|
| D536,793 S * | 2/2007 | Assad et al. | | D24/185 |
| D598,551 S * | 8/2009 | Miwa et al. | | D24/186 |
| D612,503 S * | 3/2010 | Johnston et al. | | D24/186 |
| D613,411 S * | 4/2010 | Collins et al. | | D24/186 |
| D651,103 S * | 12/2011 | Greenberg et al. | | D10/70 |
| D654,450 S * | 2/2012 | McManigal et al. | | D14/129 |
| D664,257 S * | 7/2012 | Patil | | D24/186 |
| 2007/0299350 A1 * | 12/2007 | Lev et al. | | 600/485 |

* cited by examiner

Primary Examiner — Anhdao Doan

(74) *Attorney, Agent, or Firm* — Schwegman Lundberg & Woessner, P.A.

(57) **CLAIM**

The ornamental design for a communicator, as shown and described.

DESCRIPTION

FIG. 1 is a front right perspective view of a communicator incorporating our new design.

FIG. 2 is a back left perspective view of the communicator.

FIG. 3 is a front view of the communicator.

FIG. 4 is a back view of the communicator.

FIG. 5 is a top view of the communicator.

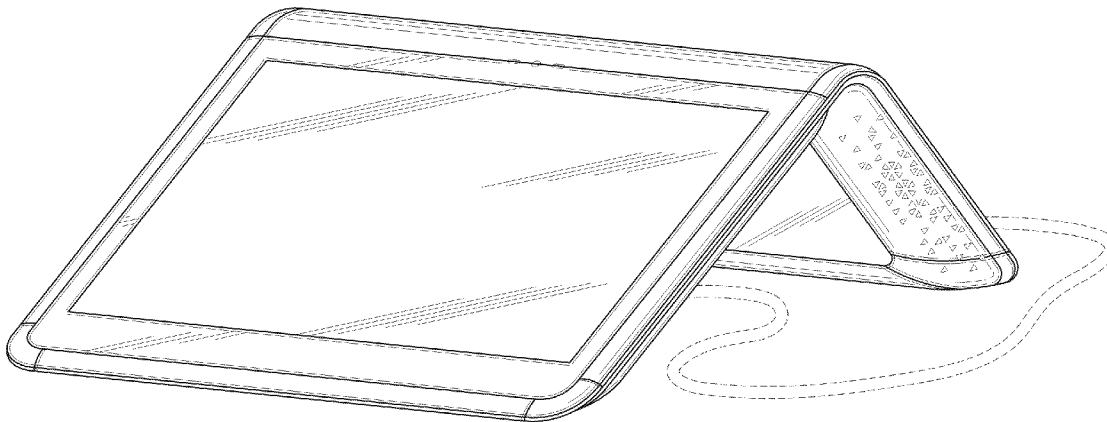
FIG. 6 is a bottom view of the communicator.

FIG. 7 is a right side view of the communicator; and,

FIG. 8 is a left side view of the communicator.

The broken lines in the drawings are included for the purpose of illustrating portions of the communicator that form no part of the claimed design.

1 Claim, 7 Drawing Sheets



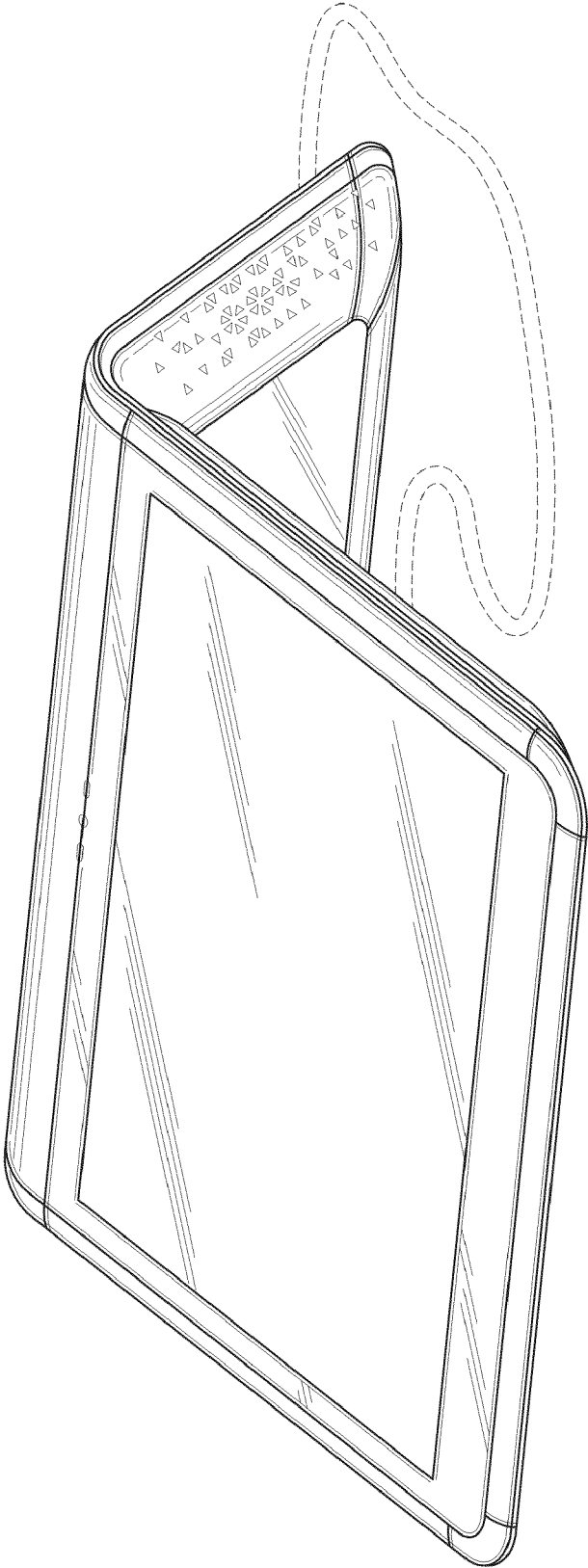


FIG. 1

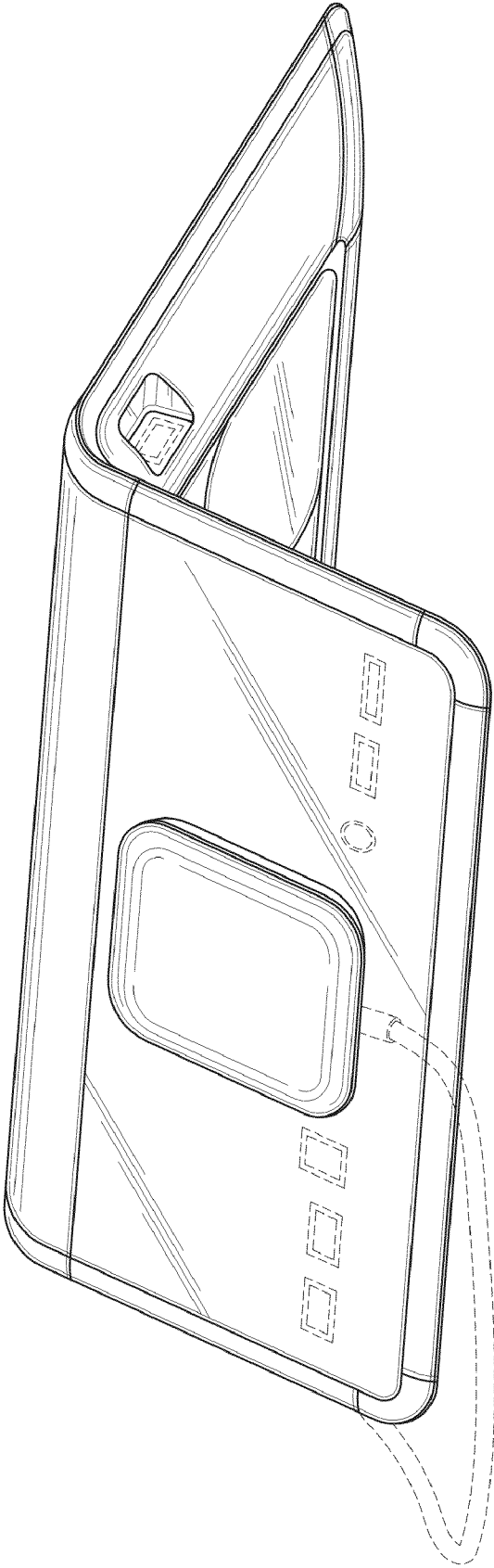


FIG. 2

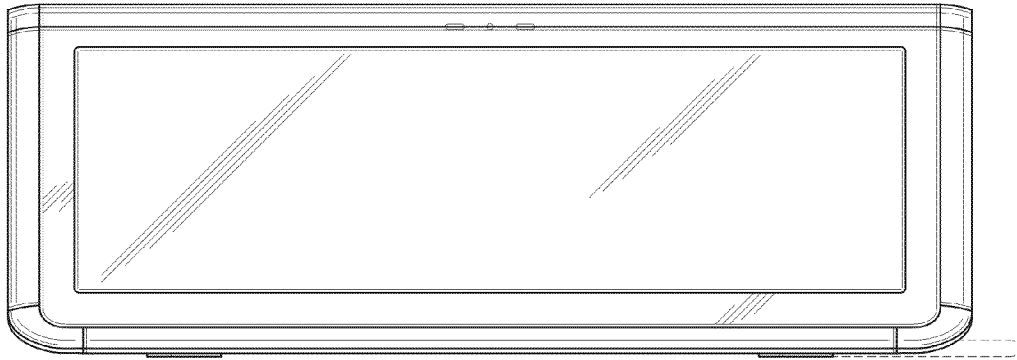


FIG. 3

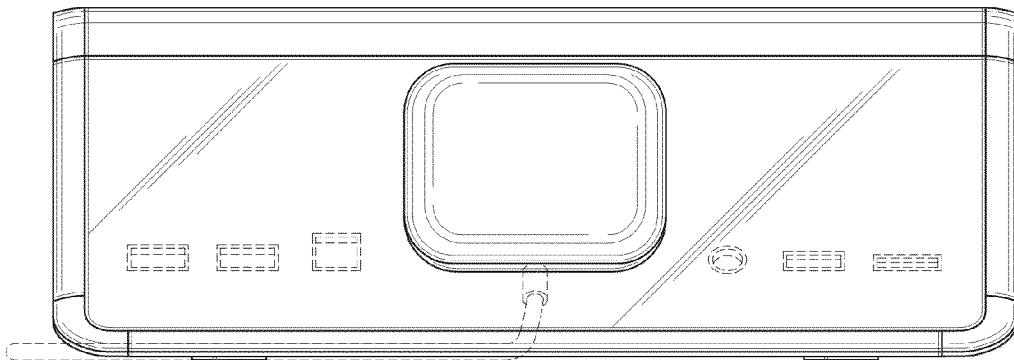


FIG. 4

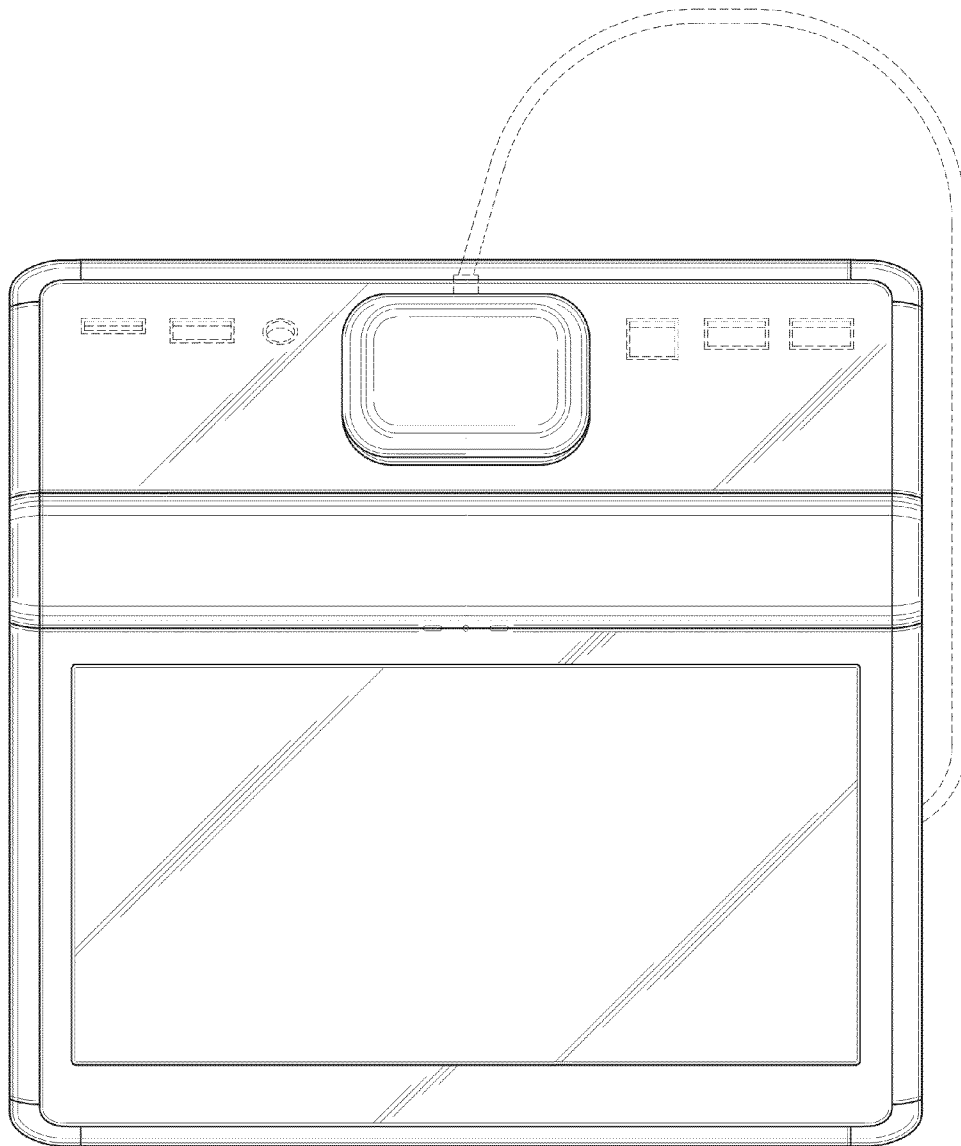


FIG. 5

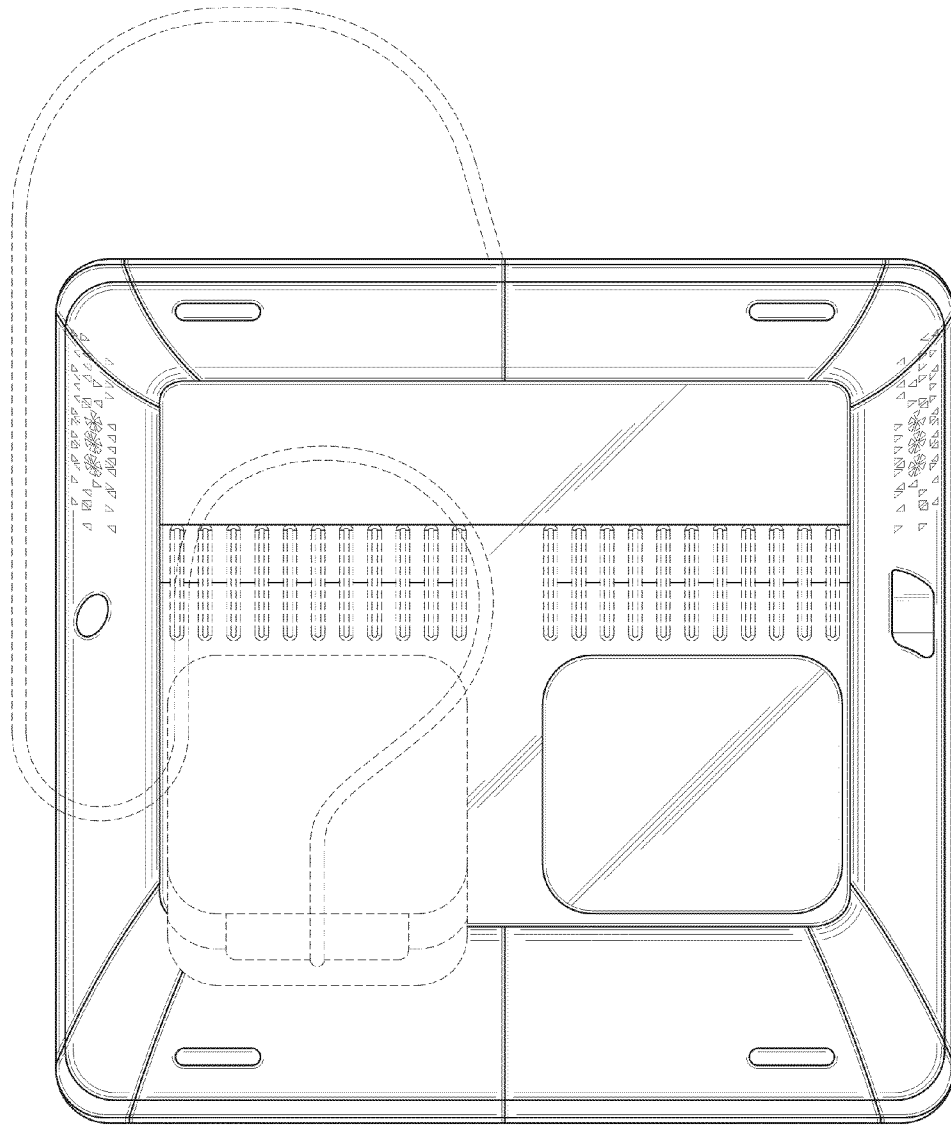


FIG. 6

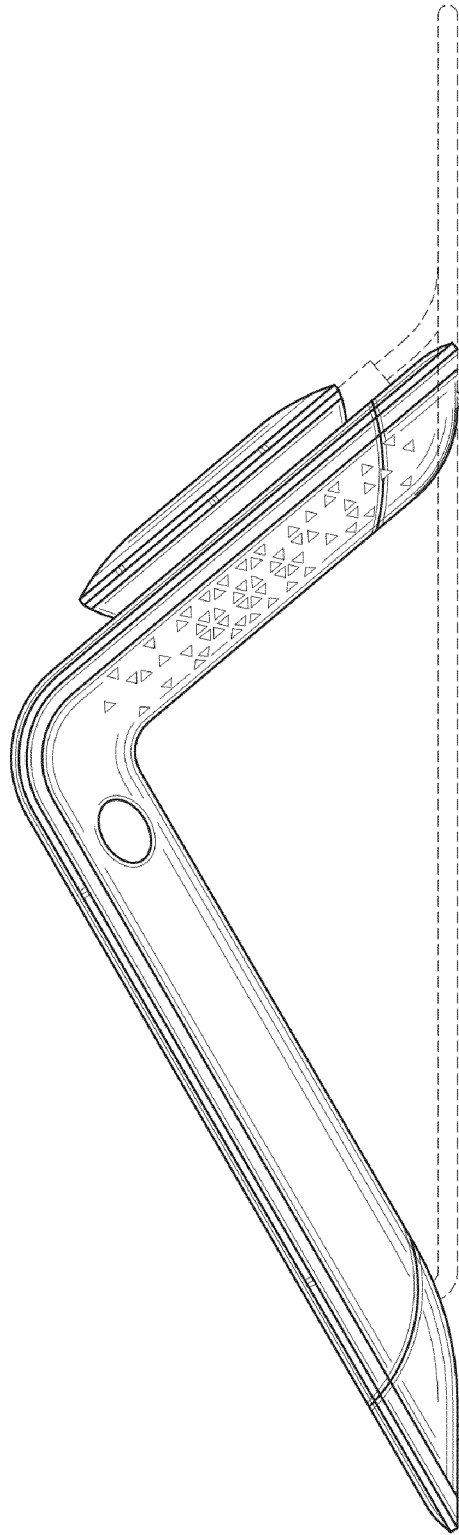


FIG. 7

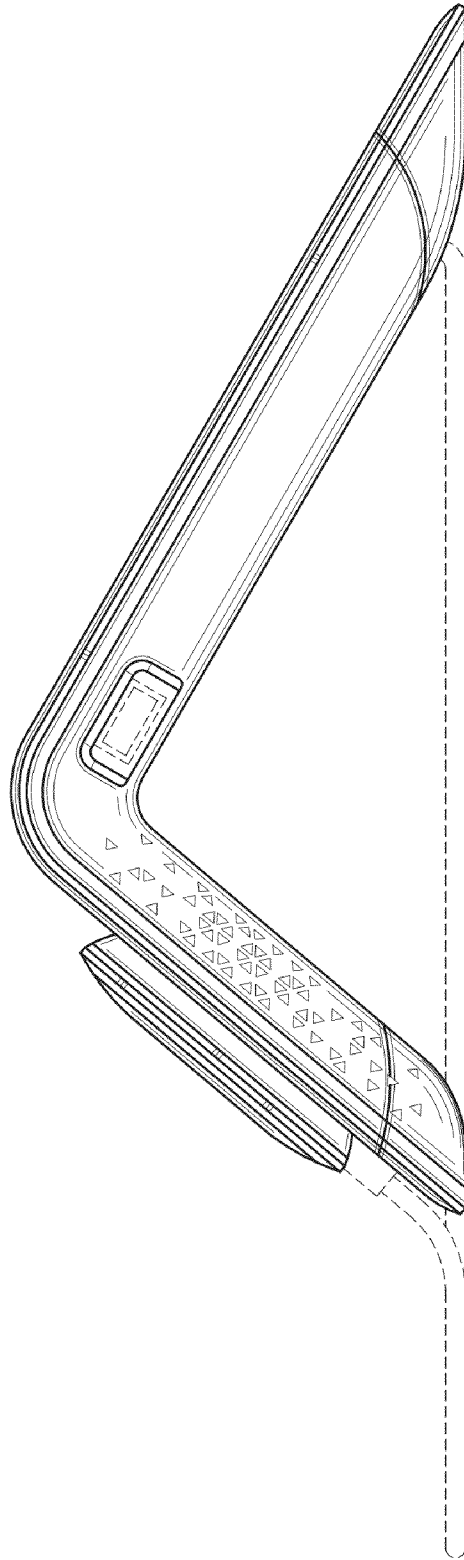


FIG. 8