

(19) World Intellectual Property Organization  
International Bureau



(43) International Publication Date  
5 November 2009 (05.11.2009)

(10) International Publication Number  
**WO 2009/134299 A3**

(51) International Patent Classification:

A62C 2/06 (2006.01) A62C 3/10 (2006.01)  
A62C 3/08 (2006.01) C01B 31/04 (2006.01)

subaracho, Takatsuki, Osaka 566-0072 (JP). **INADA, Takashi** [JP/JP]; #D-109, 5-2-23, Torikai-Nishi, Settsu, Osaka 566-0072 (JP).

(21) International Application Number:

PCT/US2009/001590

(74) Agents: **BJORKMAN, Dale, A.** et al.; Kagan Binder, PLLC, Suite 200, Maple Island Building, 221 Main Street North, Stillwater, MN 55082 (US).

(22) International Filing Date:

13 March 2009 (13.03.2009)

(81) Designated States (unless otherwise indicated, for every kind of national protection available): AE, AG, AL, AM, AO, AT, AU, AZ, BA, BB, BG, BH, BR, BW, BY, BZ, CA, CH, CN, CO, CR, CU, CZ, DE, DK, DM, DO, DZ, EC, EE, EG, ES, FI, GB, GD, GE, GH, GM, GT, HN, HR, HU, ID, IL, IN, IS, JP, KE, KG, KM, KN, KP, KR, KZ, LA, LC, LK, LR, LS, LT, LU, LY, MA, MD, ME, MG, MK, MN, MW, MX, MY, MZ, NA, NG, NI, NO, NZ, OM, PG, PH, PL, PT, RO, RS, RU, SC, SD, SE, SG, SK, SL, SM, ST, SV, SY, TJ, TM, TN, TR, TT, TZ, UA, UG, US, UZ, VC, VN, ZA, ZM, ZW.

(25) Filing Language:

English

(26) Publication Language:

English

(30) Priority Data:

61/069,511 14 March 2008 (14.03.2008) US  
61/192,637 19 September 2008 (19.09.2008) US

(71) Applicant (for all designated States except US): **KANEKA CORPORATION** [JP/JP]; 2-4 Nakanoshima 3-chome, Kita-ku, Osaka 530-8288 (JP).

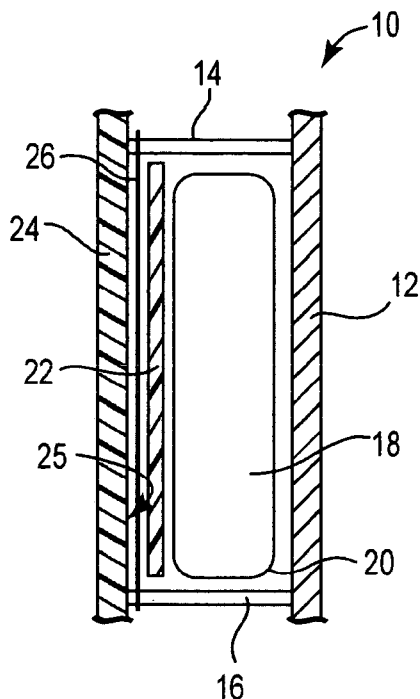
(72) Inventors; and

(75) Inventors/Applicants (for US only): **ONO, Kazuhiro** [JP/US]; 811 Rustic Harbor Court, Houston, Texas 77062 (US). **NISHIKAWA, Yasushi** [JP/JP]; #302, 1-15 Mat-

(84) Designated States (unless otherwise indicated, for every kind of regional protection available): ARIPO (BW, GH, GM, KE, LS, MW, MZ, NA, SD, SL, SZ, TZ, UG, ZM, ZW), Eurasian (AM, AZ, BY, KG, KZ, MD, RU, TJ,

[Continued on next page]

(54) Title: FIRE BARRIER PROTECTION FOR AIRPLANES COMPRISING GRAPHITE FILMS



**Fig. 1**

(57) Abstract: A fire barrier system for use in aircraft, ship or offshore drilling platform comprises a flexible graphite sheet. Methods of providing fire barrier protection in an aircraft, ship or offshore drilling platform comprise installing the described fire barrier system in the aircraft, ship or offshore drilling platform. Additionally, the fire barrier system when installed in the aircraft, ship or offshore drilling platform is described.



WO 2009/134299 A3



TM), European (AT, BE, BG, CH, CY, CZ, DE, DK, EE, ES, FI, FR, GB, GR, HR, HU, IE, IS, IT, LT, LU, LV, MC, MK, MT, NL, NO, PL, PT, RO, SE, SI, SK, TR), OAPI (BF, BJ, CF, CG, CI, CM, GA, GN, GQ, GW, ML, MR, NE, SN, TD, TG).

**(88) Date of publication of the international search report:**  
11 February 2010

**(15) Information about Correction:**

**Previous Correction:**  
see Notice of 23 December 2009

**Published:**

— with international search report (Art. 21(3))

## INTERNATIONAL SEARCH REPORT

International application No  
PCT/US2009/001590A. CLASSIFICATION OF SUBJECT MATTER  
INV. A62C2/06 A62C3/08 A62C3/10 C01B31/04

According to International Patent Classification (IPC) or to both national classification and IPC

## B. FIELDS SEARCHED

Minimum documentation searched (classification system followed by classification symbols)  
A62C C01B

Documentation searched other than minimum documentation to the extent that such documents are included in the fields searched

Electronic data base consulted during the international search (name of data base and, where practical, search terms used)

EPO-Internal

## C. DOCUMENTS CONSIDERED TO BE RELEVANT

Category*	Citation of document, with indication, where appropriate, of the relevant passages	Relevant to claim No.
X	EP 0 527 046 A2 (UCAR CARBON TECH [US]) 10 February 1993 (1993-02-10)	1-3,5-9, 14-29, 33-35
Y	column 1, line 4 - line 45 column 3, line 10 - column 4, line 19 -----	4,10-13, 30-32
Y	US 6 670 291 B1 (TOMPKINS THOMAS L [US] ET AL) 30 December 2003 (2003-12-30) cited in the application column 5, line 34 - column 7, line 21 figures 1,2 -----	4,10-13
Y	US 2007/032589 A1 (NISHIKAWA YASUSHI [JP] ET AL) 8 February 2007 (2007-02-08) cited in the application paragraph [0007] - paragraph [0017] ----- -/--	30-32

 Further documents are listed in the continuation of Box C. See patent family annex.

## \* Special categories of cited documents :

- \*A\* document defining the general state of the art which is not considered to be of particular relevance
- \*E\* earlier document but published on or after the international filing date
- \*L\* document which may throw doubts on priority claim(s) or which is cited to establish the publication date of another citation or other special reason (as specified)
- \*O\* document referring to an oral disclosure, use, exhibition or other means
- \*P\* document published prior to the international filing date but later than the priority date claimed

- \*T\* later document published after the international filing date or priority date and not in conflict with the application but cited to understand the principle or theory underlying the invention
- \*X\* document of particular relevance; the claimed invention cannot be considered novel or cannot be considered to involve an inventive step when the document is taken alone
- \*Y\* document of particular relevance; the claimed invention cannot be considered to involve an inventive step when the document is combined with one or more other such documents, such combination being obvious to a person skilled in the art.
- \* & \* document member of the same patent family

Date of the actual completion of the international search

13 October 2009

Date of mailing of the international search report

21/10/2009

Name and mailing address of the ISA/

European Patent Office, P.B. 5818 Patentlaan 2  
NL - 2280 HV Rijswijk  
Tel. (+31-70) 340-2040,  
Fax: (+31-70) 340-3016

Authorized officer

Nehrdich, Martin

## INTERNATIONAL SEARCH REPORT

International application No

PCT/US2009/001590

C(Continuation). DOCUMENTS CONSIDERED TO BE RELEVANT

Category*	Citation of document, with indication, where appropriate, of the relevant passages	Relevant to claim No.
A	US 5 376 450 A (GREINKE RONALD A [US] ET AL) 27 December 1994 (1994-12-27) cited in the application column 1, line 15 - line 46 -----	1-3, 16-18, 33-35
X	US 6 143 218 A (MERCURI ROBERT ANGELO [US]) 7 November 2000 (2000-11-07) cited in the application column 2, line 47 - line 65 -----	1-3, 16-29, 33-35
X	GB 2 181 093 A (MANN MCGOWAN FABRICATIONS LIMI MANN MCGOWAN FABRICATIONS LIMI [GB]) 15 April 1987 (1987-04-15) page 1, line 29 - line 119 sentence 88 - sentence 119 -----	1-29, 32-35

# INTERNATIONAL SEARCH REPORT

Information on patent family members

International application No

PCT/US2009/001590

Patent document cited in search report	Publication date	Publication date	Patent family member(s)	Publication date
EP 0527046	A2	10-02-1993	DE 69204399 D1	05-10-1995
			DE 69204399 T2	14-03-1996
			JP 2960610 B2	12-10-1999
			JP 6024723 A	01-02-1994
			US 5176863 A	05-01-1993
US 6670291	B1	30-12-2003	AT 345212 T	15-12-2006
			AU 1129502 A	29-04-2002
			CA 2425156 A1	25-04-2002
			CN 1469807 A	21-01-2004
			DE 60124578 T2	06-09-2007
			EP 1326745 A1	16-07-2003
			JP 2004511364 T	15-04-2004
			MX PA03003327 A	15-10-2003
			WO 0232663 A1	25-04-2002
			US 2007032589	A1
CN 1826288 A	30-08-2006			
WO 2005023713 A1	17-03-2005			
US 5376450	A	27-12-1994	NONE	
US 6143218	A	07-11-2000	AT 221034 T	15-08-2002
			AU 6538098 A	12-10-1998
			BR 9809050 A	01-08-2000
			DE 69806737 D1	29-08-2002
			EP 0968149 A1	05-01-2000
			JP 2001515450 T	18-09-2001
			TW 384277 B	11-03-2000
			WO 9841486 A1	24-09-1998
			US 5985452 A	16-11-1999
			US 6017633 A	25-01-2000
GB 2181093	A	15-04-1987	NONE	