



US0D1045501S

(12) **United States Design Patent**
Wu

(10) **Patent No.:** **US D1,045,501 S**

(45) **Date of Patent:** **** Oct. 8, 2024**

(54) **PORTAFILTER FOR COFFEE MACHINE**

(71) Applicant: **Chiron Medical Technology (Hangzhou) Co., Ltd.**, Hangzhou (CN)

(72) Inventor: **Xiaolong Wu**, Hangzhou (CN)

(73) Assignee: **Chiron Medical Technology (Hangzhou) Co., Ltd.**, Hangzhou (CN)

(**) Term: **15 Years**

(21) Appl. No.: **29/892,592**

(22) Filed: **May 19, 2023**

(30) **Foreign Application Priority Data**

May 5, 2023 (CN) 202330255726.X

(51) **LOC (14) Cl.** **07-06**

(52) **U.S. Cl.**
USPC **D7/400**

(58) **Field of Classification Search**
USPC D7/399, 400, 401, 306, 307, 308, 309,
D7/310
CPC A47J 31/06; A47J 31/0657; A47J 31/44
See application file for complete search history.

(56) **References Cited**

U.S. PATENT DOCUMENTS

D393,568 S *	4/1998	Storsberg	D7/400
D740,488 S *	10/2015	Leidel	D27/167
D907,436 S *	1/2021	Almagor	D7/400
10,881,240 B2 *	1/2021	Grassia	A47J 31/38
D954,498 S *	6/2022	Nicastro	D7/400
D968,888 S *	11/2022	Weber	D7/400

D1,000,896 S *	10/2023	He	D7/388
D1,036,931 S *	7/2024	Tian	D7/400
D1,037,776 S *	8/2024	Tian	D7/400
2013/0167734 A1 *	7/2013	La Rue, III	A47J 31/0663 427/244
2021/0022542 A1 *	1/2021	Rossetto	A47J 31/0663

OTHER PUBLICATIONS

Bottomless Portafilter 54mm | posted at Amazon.com, posted on Apr. 8, 2024, © 1996-2024 Amazon.com, [online], [site visited Aug. 10, 2024]. Available from Internet, <URL:https://www.amazon.com/Bottomless-Portafilter-Hollow-Carved-Breville-Barista/dp/B0D142ZW7X/> (Year: 2024).*

* cited by examiner

Primary Examiner — Andrew Kerr

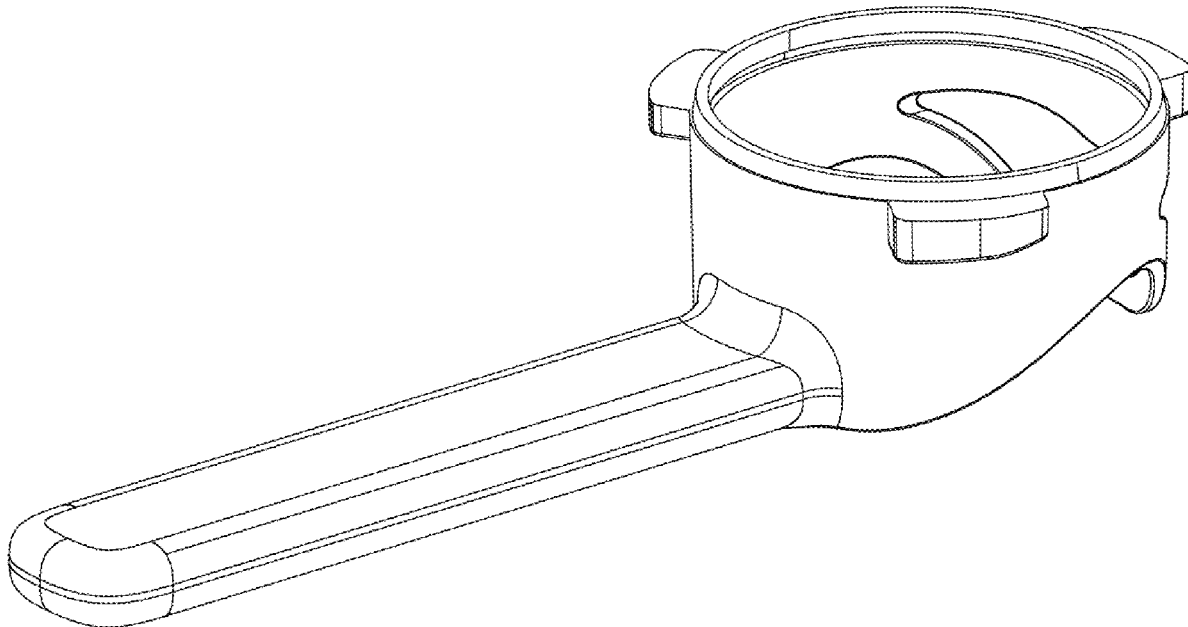
(57) **CLAIM**

The ornamental design for a portafilter for coffee machine, as shown and described.

DESCRIPTION

FIG. 1 is a top perspective view of a portafilter for coffee machine, showing my new design;
FIG. 2 is a rear view thereof;
FIG. 3 is a top perspective view thereof;
FIG. 4 is a left side view thereof;
FIG. 5 is a top view thereof;
FIG. 6 is a right side view thereof;
FIG. 7 is a bottom view thereof; and,
FIG. 8 is a front view thereof.

1 Claim, 8 Drawing Sheets



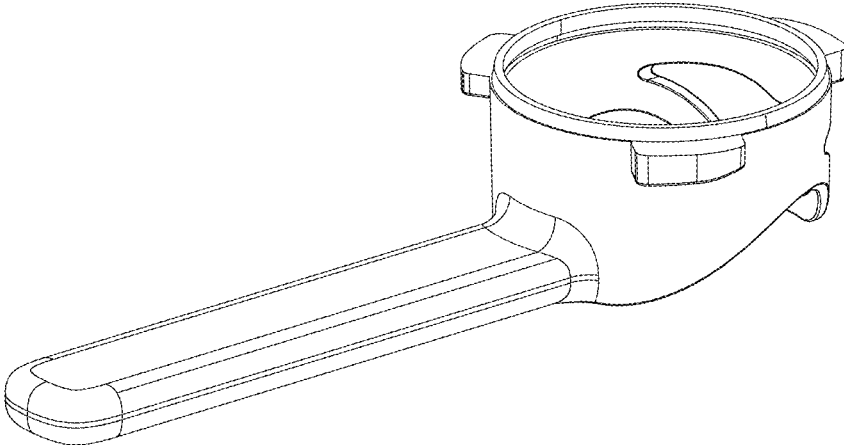


FIG. 1

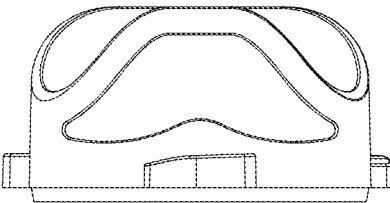


FIG. 2

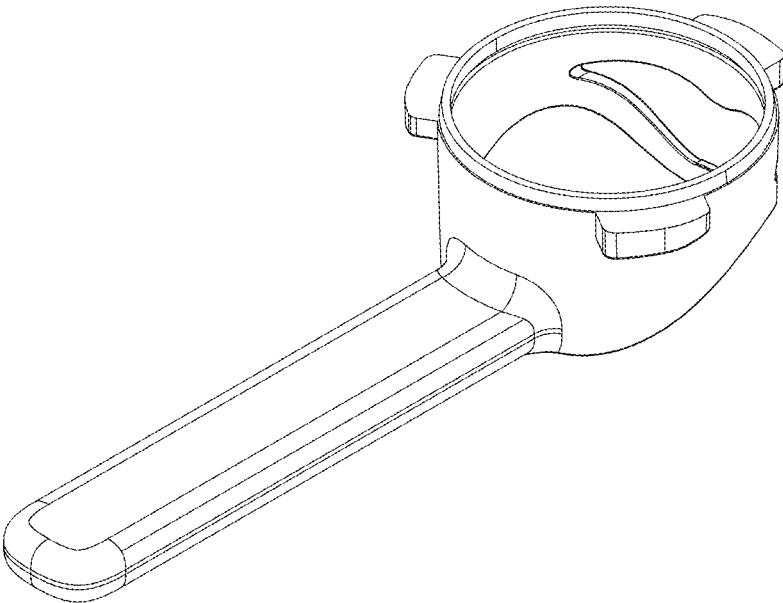


FIG. 3

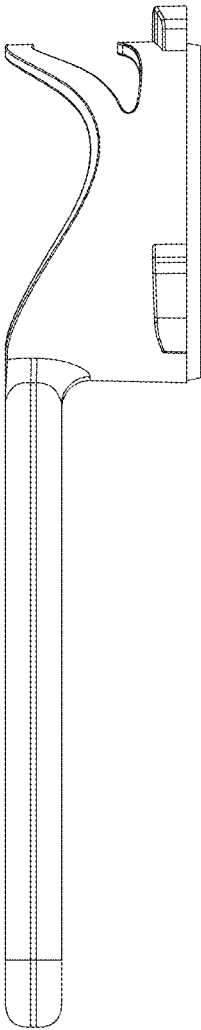


FIG. 4

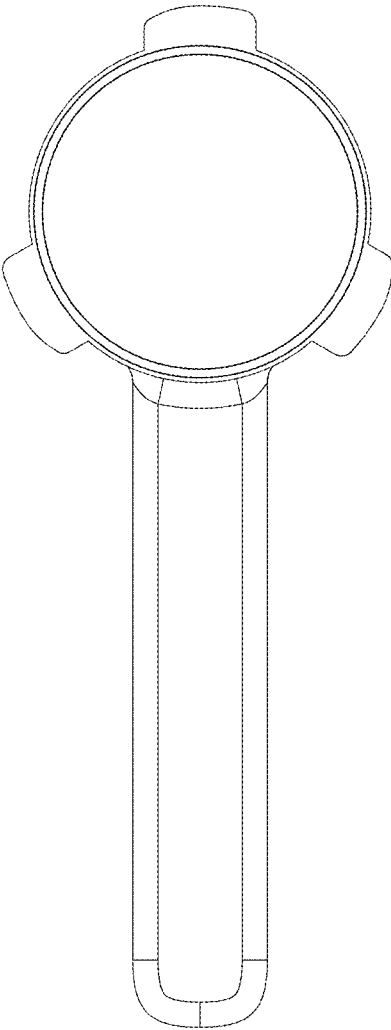


FIG. 5

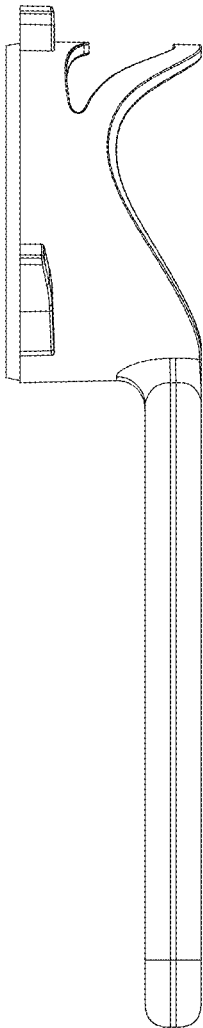


FIG. 6

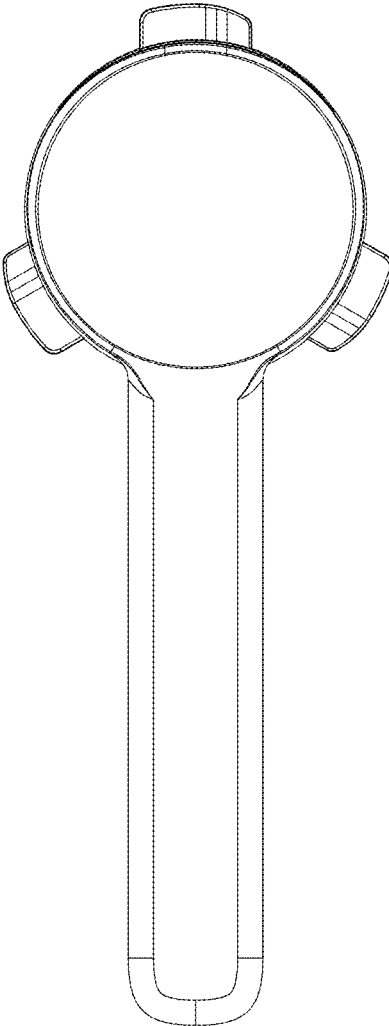


FIG. 7

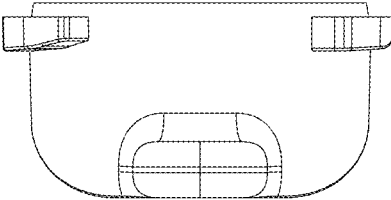


FIG. 8