

(12) NACH DEM VERTRAG ÜBER DIE INTERNATIONALE ZUSAMMENARBEIT AUF DEM GEBIET DES PATENTWESENS (PCT) VERÖFFENTLICHTE INTERNATIONALE ANMELDUNG

(19) Weltorganisation für geistiges Eigentum

Internationales Büro

(43) Internationales Veröffentlichungsdatum  
4. Februar 2016 (04.02.2016)



(10) Internationale Veröffentlichungsnummer  
**WO 2016/016109 A3**

(51) Internationale Patentklassifikation:

G01N 35/04 (2006.01) B01L 3/00 (2006.01)  
G01N 35/10 (2006.01) B01L 3/02 (2006.01)  
G01N 35/00 (2006.01) B04B 5/04 (2006.01)  
G01N 1/28 (2006.01)

(81) Bestimmungsstaaten (soweit nicht anders angegeben, für jede verfügbare nationale Schutzrechtsart):

AE, AG, AL, AM, AO, AT, AU, AZ, BA, BB, BG, BH, BN, BR, BW, BY, BZ, CA, CH, CL, CN, CO, CR, CU, CZ, DE, DK, DM, DO, DZ, EC, EE, EG, ES, FI, GB, GD, GE, GH, GM, GT, HN, HR, HU, ID, IL, IN, IR, IS, JP, KE, KG, KN, KP, KR, KZ, LA, LC, LK, LR, LS, LU, LY, MA, MD, ME, MG, MK, MN, MW, MX, MY, MZ, NA, NG, NI, NO, NZ, OM, PA, PE, PG, PH, PL, PT, QA, RO, RS, RU, RW, SA, SC, SD, SE, SG, SK, SL, SM, ST, SV, SY, TH, TJ, TM, TN, TR, TT, TZ, UA, UG, US, UZ, VC, VN, ZA, ZM, ZW.

(21) Internationales Aktenzeichen: PCT/EP2015/066965

(22) Internationales Anmeldedatum: 24. Juli 2015 (24.07.2015)

(25) Einreichungssprache: Deutsch

(26) Veröffentlichungssprache: Deutsch

(30) Angaben zur Priorität:

10 2014 110 684.9 29. Juli 2014 (29.07.2014) DE  
10 2014 110 682.2 29. Juli 2014 (29.07.2014) DE  
10 2014 110 691.1 29. Juli 2014 (29.07.2014) DE  
10 2014 110 680.6 29. Juli 2014 (29.07.2014) DE

(84) Bestimmungsstaaten (soweit nicht anders angegeben, für jede verfügbare regionale Schutzrechtsart):

ARIPO (BW, GH, GM, KE, LR, LS, MW, MZ, NA, RW, SD, SL, ST, SZ, TZ, UG, ZM, ZW), eurasisches (AM, AZ, BY, KG, KZ, RU, TJ, TM), europäisches (AL, AT, BE, BG, CH, CY, CZ, DE, DK, EE, ES, FI, FR, GB, GR, HR, HU, IE, IS, IT, LT, LU, LV, MC, MK, MT, NL, NO, PL, PT, RO, RS, SE, SI, SK, SM, TR), OAPI (BF, BJ, CF, CG, CI, CM, GA, GN, GQ, GW, KM, ML, MR, NE, SN, TD, TG).

(72) Erfinder; und

(71) Anmelder : GERSTEL, Joachim [DE/DE]; Burgacker 17, 45475 Mülheim a.d. Ruhr (DE).

(74) Anwalt: WEISSE, Renate; Bleibtreustr. 38, 10623 Berlin (DE).

[Fortsetzung auf der nächsten Seite]

(54) Title: ARRANGEMENT FOR PREPARING A PLURALITY OF SAMPLES FOR AN ANALYTICAL METHOD

(54) Bezeichnung : ANORDNUNG ZUR VORBEREITUNG EINER VIELZAHL VON PROBEN FÜR EIN ANALYTISCHES VERFAHREN

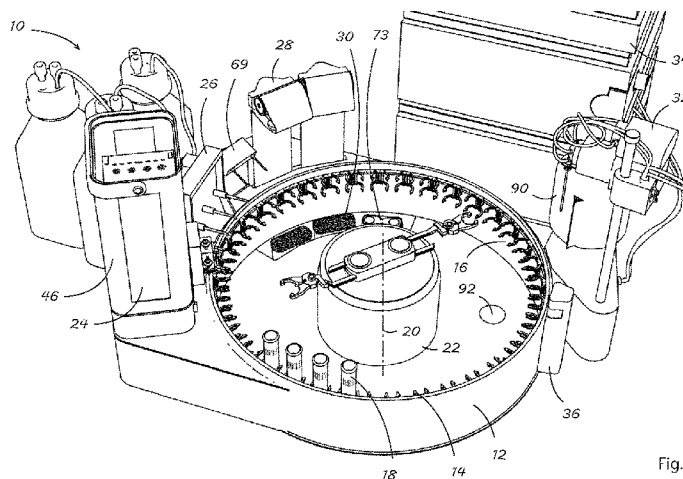


Fig. 1

(57) Abstract: The invention relates to an arrangement (10) for preparing a plurality of samples for an analytical method, comprising a carousel (14) with a solid housing (12) and moveable receiving parts (16) for the sample containers (18); a control for controlling the receiving parts (16) in the carousel (14); and a sample receiving device (24) for providing the sample to be analysed; one or more stations (24, 26, 28, 30, 32) for preparing samples are provided on the carousel (14), the receiving parts (16) for the sample containers (18) of the carousel (14) can be positioned on said stations; a centrifuge (22) with pairs of opposite lying receiving parts (42) provided for the sample containers (18), and said receiving parts (42) are arranged such that they can move on the centrifuge (22) and the movements can be controlled in such a manner that the sample holder (18) can be transferred between a receiving part (16) in the carousel (14) and a receiving part (42) in the centrifuge (22).

(57) Zusammenfassung:

[Fortsetzung auf der nächsten Seite]



WO 2016/016109 A3

**Erklärungen gemäß Regel 4.17:**

- *hinsichtlich der Identität des Erfinders (Regel 4.17 Ziffer i)*
- *hinsichtlich der Berechtigung des Anmelders, ein Patent zu beantragen und zu erhalten (Regel 4.17 Ziffer ii)*
- *hinsichtlich der Berechtigung des Anmelders, die Priorität einer früheren Anmeldung zu beanspruchen (Regel 4.17 Ziffer iii)*
- *Erfindererklärung (Regel 4.17 Ziffer iv)*

**Veröffentlicht:**

- *mit internationalem Recherchenbericht (Artikel 21 Absatz 3)*
- *vor Ablauf der für Änderungen der Ansprüche geltenden Frist; Veröffentlichung wird wiederholt, falls Änderungen eingehen (Regel 48 Absatz 2 Buchstabe h)*

**(88) Veröffentlichungsdatum des internationalen Recherchenberichts:**

28. April 2016

---

Anordnung (10) zur Vorbereitung einer Vielzahl von Proben für ein analytisches Verfahren, enthaltend ein Karussell (14) mit einem festen Gehäuse (12) und beweglichen Aufnahmen (16) für Probenbehälter (18); eine Steuerung zur Steuerung der Aufnahmen (16) in dem Karussell (14); und eine Probenentnahme-Einrichtung (24) zur Bereitstellung der Probe für das analytische Verfahren; eine oder mehrere Stationen (24, 26, 28, 30, 32) zur Probenvorbereitung an dem Karussell (14) sind vorgesehen, an denen die Aufnahmen (16) für Probenbehälter (18) des Karussells (14) positionierbar sind; eine Zentrifuge (22) mit paarweise gegenüberliegenden Aufnahmen (42) für Probenbehälter (18) vorgesehen ist, und die Aufnahmen (42) für Probenbehälter (18) an der Zentrifuge (22) beweglich angeordnet sind und die Bewegungen derart steuerbar sind, dass eine Überführung eines Probenbehälters (18) zwischen einer Aufnahme (16) im Karussell (14) und einer Aufnahme (42) in der Zentrifuge (22) bewirkbar ist.

INTERNATIONAL SEARCH REPORT

International application No.  
PCT/EP2015/066965

**Box No. II Observations where certain claims were found unsearchable (Continuation of item 2 of first sheet)**

This international search report has not been established in respect of certain claims under Article 17(2)(a) for the following reasons:

- 1.  Claims Nos.:  
because they relate to subject matter not required to be searched by this Authority, namely:
  
- 2.  Claims Nos.:  
because they relate to parts of the international application that do not comply with the prescribed requirements to such an extent that no meaningful international search can be carried out, specifically:
  
- 3.  Claims Nos.:  
because they are dependent claims and are not drafted in accordance with the second and third sentences of Rule 6.4(a).

**Box No. III Observations where unity of invention is lacking (Continuation of item 3 of first sheet)**

This International Searching Authority found multiple inventions in this international application, as follows:

see additional sheet

- 1.  As all required additional search fees were timely paid by the applicant, this international search report covers all searchable claims.
- 2.  As all searchable claims could be searched without effort justifying additional fees, this Authority did not invite payment of additional fees.
- 3.  As only some of the required additional search fees were timely paid by the applicant, this international search report covers only those claims for which fees were paid, specifically claims Nos.:
  
- 4.  No required additional search fees were timely paid by the applicant. Consequently, this international search report is restricted to the invention first mentioned in the claims; it is covered by claims Nos.:

**Remark on Protest**

- The additional search fees were accompanied by the applicant's protest and, where applicable, the payment of a protest fee.
- The additional search fees were accompanied by the applicant's protest but the applicable protest fee was not paid within the time limit specified in the invitation.
- No protest accompanied the payment of additional search fees.

INTERNATIONAL SEARCH REPORT

International application No  
PCT/EP2015/066965

x see additional sheet

A. CLASSIFICATION OF SUBJECT MATTER  
 INV. G01N35/04 G01N35/10 G01N35/00 G01N1/28 B01L3/00  
 B01L3/02 B04B5/04  
 ADD.  
 According to International Patent Classification (IPC) or to both national classification and IPC

B. FIELDS SEARCHED  
 Minimum documentation searched (classification system followed by classification symbols)  
 G01N B01L B04B

Documentation searched other than minimum documentation to the extent that such documents are included in the fields searched

Electronic data base consulted during the international search (name of data base and, where practicable, search terms used)  
 EPO-Internal, WPI Data

C. DOCUMENTS CONSIDERED TO BE RELEVANT

Category*	Citation of document, with indication, where appropriate, of the relevant passages	Relevant to claim No.
X	US 2002/123156 A1 (TAJIMA HIDEJI [JP]) 5 September 2002 (2002-09-05)	1,5,23
Y	paragraphs [0091], [0095], [0131], [0162]; figures 1,7,12-16 -----	2,3,6-8, 40,41
X	US 2003/039589 A1 (SMITH JAMES C [US]) 27 February 2003 (2003-02-27)	1,4,5,23
A	paragraphs [0005], [0084], [0100], [0113]; figures 1,5,8,11A-11C -----	2,3,6-8, 40,41
X	US 2009/294385 A1 (TAJIMA HIDEJI [JP] ET AL) 3 December 2009 (2009-12-03)	1,5,23
A	paragraphs [0093] - [0115], [0128], [0167]; figures 1-5,12 -----	2,3,6-8, 40,41
	-/--	

Further documents are listed in the continuation of Box C.

See patent family annex.

\* Special categories of cited documents :

<p>"A" document defining the general state of the art which is not considered to be of particular relevance</p> <p>"E" earlier application or patent but published on or after the international filing date</p> <p>"L" document which may throw doubts on priority claim(s) or which is cited to establish the publication date of another citation or other special reason (as specified)</p> <p>"O" document referring to an oral disclosure, use, exhibition or other means</p> <p>"P" document published prior to the international filing date but later than the priority date claimed</p>	<p>"T" later document published after the international filing date or priority date and not in conflict with the application but cited to understand the principle or theory underlying the invention</p> <p>"X" document of particular relevance; the claimed invention cannot be considered novel or cannot be considered to involve an inventive step when the document is taken alone</p> <p>"Y" document of particular relevance; the claimed invention cannot be considered to involve an inventive step when the document is combined with one or more other such documents, such combination being obvious to a person skilled in the art</p> <p>"&amp;" document member of the same patent family</p>
---	---

Date of the actual completion of the international search  3 March 2016	Date of mailing of the international search report  11/03/2016
---	--

Name and mailing address of the ISA/ European Patent Office, P.B. 5818 Patentlaan 2 NL - 2280 HV Rijswijk Tel. (+31-70) 340-2040, Fax: (+31-70) 340-3016	Authorized officer  Eidmann, Gunnar
--	---

## INTERNATIONAL SEARCH REPORT

International application No  
PCT/EP2015/066965

C(Continuation). DOCUMENTS CONSIDERED TO BE RELEVANT		
Category*	Citation of document, with indication, where appropriate, of the relevant passages	Relevant to claim No.
Y	US 2013/128035 A1 (JOHNS CHARLES W [US] ET AL) 23 May 2013 (2013-05-23) paragraphs [0065], [0134], [0162], [0164] -----	2,3,40, 41
Y	US 3 596 673 A (LAUCOURNET ROBERT) 3 August 1971 (1971-08-03) column 2, line 1 - line 73; figure 1 -----	2 3,40,41
A		
Y	US 2011/107855 A1 (MOTADEL ARTA [US]) 12 May 2011 (2011-05-12) paragraph [0072] -----	6
Y	US 2005/016916 A1 (ZERMANI THOMAS [US] ET AL) 27 January 2005 (2005-01-27) paragraphs [0009], [0022]; figure 3 -----	7,8
X	US 2007/134131 A1 (WATSON LESLIE R [AU] ET AL) 14 June 2007 (2007-06-14) paragraph [0139]; figure 7A -----	9,10
Y		11-14, 34-37,39
X	US 2012/244541 A1 (RAPP MARTIN [CH]) 27 September 2012 (2012-09-27) paragraph [0005] -----	9,10
A		11-14
Y	US 5 604 130 A (WARNER BRIAN D [US] ET AL) 18 February 1997 (1997-02-18) column 3, line 24 - column 4, line 10; figure 1 -----	11,12, 36,37
Y	US 6 027 694 A (BOULTON DAVID A [US] ET AL) 22 February 2000 (2000-02-22) column 4, line 21 - column 6, line 53; figures 1,6 -----	13,14,39
X	WO 2009/068749 A2 (WALLAC OY [FI]; ERKKILAE VESA [FI]; KITINOJA ARI-PEKKA [FI]; MATTILA J) 4 June 2009 (2009-06-04) page 2, line 18 - line 24 page 3, line 1 - line 18 page 6, line 9 - line 17 page 8, line 22 - line 29 page 9, line 11 - line 17 page 10, line 27 - page 11, line 7 -----	15-22
Y		29-32
X	US 7 745 204 B1 (AIDUN CYRUS K [US] ET AL) 29 June 2010 (2010-06-29) column 3, line 53 - column 6, line 21; figure 1 -----	15-22
Y		28
X	US 2013/327195 A1 (ROUTAMAA MIKA OLAVI [FI] ET AL) 12 December 2013 (2013-12-12) paragraph [0029] - paragraph [0035]; figure 1 -----	15-18, 20-22 28
A		
	----- -/--	

## INTERNATIONAL SEARCH REPORT

International application No  
PCT/EP2015/066965

C(Continuation). DOCUMENTS CONSIDERED TO BE RELEVANT		
Category*	Citation of document, with indication, where appropriate, of the relevant passages	Relevant to claim No.
X	US 2012/105837 A1 (INGBER GAL [IL]) 3 May 2012 (2012-05-03)	24-27, 33,38, 42-44
Y	paragraphs [0081], [0084] - [0086], [0091], [0092]; figures 1A,3A,3B,6	28-32, 34-37, 39-41
	-----	
X	US 5 863 754 A (BAJARD JEAN [FR]) 26 January 1999 (1999-01-26)	24-27, 33,38, 42-44
Y	column 9, line 29 - line 45; figures 1,2	28
A	column 13, line 4 - line 6 column 14, line 55 - line 62 column 15, line 26 - line 34 column 16, line 58 - line 62	29-32, 34-37, 39-41
	-----	

## INTERNATIONAL SEARCH REPORT

Information on patent family members

International application No

PCT/EP2015/066965

Patent document cited in search report	Publication date	Patent family member(s)	Publication date	
US 2002123156	A1	05-09-2002	CA 2183638 A1	21-09-1996
			CN 1148892 A	30-04-1997
			DE 69634794 D1	07-07-2005
			DE 69634794 T2	27-04-2006
			EP 0763739 A1	19-03-1997
			EP 1519196 A2	30-03-2005
			JP 3630493 B2	16-03-2005
			JP H08320274 A	03-12-1996
			US 5895631 A	20-04-1999
			US 2002123156 A1	05-09-2002
			WO 9629602 A1	26-09-1996
-----				
US 2003039589	A1	27-02-2003	US 6117394 A	12-09-2000
			US 6482362 B1	19-11-2002
			US 2003039589 A1	27-02-2003
-----				
US 2009294385	A1	03-12-2009	EP 1882524 A1	30-01-2008
			JP 5038131 B2	03-10-2012
			US 2009294385 A1	03-12-2009
			WO 2006123688 A1	23-11-2006
-----				
US 2013128035	A1	23-05-2013	CN 103975245 A	06-08-2014
			CN 104040352 A	10-09-2014
			CN 104040353 A	10-09-2014
			CN 104040357 A	10-09-2014
			CN 104053997 A	17-09-2014
			CN 104105969 A	15-10-2014
			EP 2776843 A2	17-09-2014
			EP 2776844 A2	17-09-2014
			EP 2776845 A1	17-09-2014
			EP 2776846 A1	17-09-2014
			EP 2776847 A1	17-09-2014
			EP 2776848 A2	17-09-2014
			JP 2014532879 A	08-12-2014
			JP 2014532880 A	08-12-2014
			JP 2014532881 A	08-12-2014
			JP 2014532882 A	08-12-2014
			JP 2014534447 A	18-12-2014
			JP 2015502841 A	29-01-2015
			KR 20140091032 A	18-07-2014
			KR 20140091033 A	18-07-2014
			KR 20140092375 A	23-07-2014
			KR 20140092377 A	23-07-2014
			KR 20140092378 A	23-07-2014
			KR 20140092869 A	24-07-2014
			US 2013123089 A1	16-05-2013
			US 2013125648 A1	23-05-2013
			US 2013125675 A1	23-05-2013
			US 2013126302 A1	23-05-2013
			US 2013128035 A1	23-05-2013
			US 2013129166 A1	23-05-2013
			US 2014305227 A1	16-10-2014
			US 2015238978 A1	27-08-2015
			WO 2013070716 A2	16-05-2013
			WO 2013070740 A1	16-05-2013
			WO 2013070744 A2	16-05-2013
			WO 2013070748 A1	16-05-2013
			WO 2013070754 A1	16-05-2013

# INTERNATIONAL SEARCH REPORT

Information on patent family members

International application No  
PCT/EP2015/066965

Patent document cited in search report	Publication date	Patent family member(s)	Publication date
		WO 2013070755 A2	16-05-2013
		WO 2013070756 A2	16-05-2013
-----			
US 3596673	A	03-08-1971	
		BE 726974 A	16-07-1969
		CH 489002 A	15-04-1970
		FR 1568072 A	23-05-1969
		GB 1251435 A	27-10-1971
		JP S4927067 B1	15-07-1974
		LU 57801 A1	20-07-1970
		NL 6901272 A	28-07-1969
		US 3596673 A	03-08-1971
-----			
US 2011107855	A1	12-05-2011	
		AU 2009228086 A1	01-10-2009
		CA 2719787 A1	01-10-2009
		EP 2274099 A2	19-01-2011
		JP 2011517773 A	16-06-2011
		JP 2013253989 A	19-12-2013
		JP 2015025819 A	05-02-2015
		US 2011107855 A1	12-05-2011
		WO 2009121032 A2	01-10-2009
-----			
US 2005016916	A1	27-01-2005	
		EP 1272255 A2	08-01-2003
		US 2001045389 A1	29-11-2001
		US 2005016916 A1	27-01-2005
		WO 0176717 A2	18-10-2001
-----			
US 2007134131	A1	14-06-2007	
		EP 1034418 A1	13-09-2000
		US 6599476 B1	29-07-2003
		US 2004005245 A1	08-01-2004
		US 2007134131 A1	14-06-2007
		WO 9928724 A1	10-06-1999
-----			
US 2012244541	A1	27-09-2012	
		EP 2431747 A1	21-03-2012
		US 2012244541 A1	27-09-2012
-----			
US 5604130	A	18-02-1997	
		AT 224769 T	15-10-2002
		AU 5882696 A	24-12-1996
		DE 69623955 D1	31-10-2002
		DE 69623955 T2	23-01-2003
		DK 0828560 T3	14-10-2002
		EP 0828560 A2	18-03-1998
		ES 2186784 T3	16-05-2003
		JP 3519086 B2	12-04-2004
		JP H11507508 A	06-07-1999
		PT 828560 E	28-02-2003
		US 5604130 A	18-02-1997
		WO 9639481 A2	12-12-1996
-----			
US 6027694	A	22-02-2000	
		AU 9575398 A	10-05-1999
		CA 2306395 A1	29-04-1999
		EP 1023122 A2	02-08-2000
		US 6027694 A	22-02-2000
		WO 9920394 A2	29-04-1999
-----			
WO 2009068749	A2	04-06-2009	NONE
-----			
US 7745204	B1	29-06-2010	NONE
-----			

# INTERNATIONAL SEARCH REPORT

Information on patent family members

International application No PCT/EP2015/066965
---

Patent document cited in search report	Publication date	Patent family member(s)	Publication date
US 2013327195	A1	12-12-2013	AU 2012208507 A1 29-08-2013
			CN 103354896 A 16-10-2013
			EP 2666005 A1 27-11-2013
			FI 20115057 A 22-07-2012
			US 2013327195 A1 12-12-2013
			WO 2012098286 A1 26-07-2012
-----			
US 2012105837	A1	03-05-2012	CA 2853976 A1 10-05-2012
			EP 2635670 A2 11-09-2013
			US 2012105837 A1 03-05-2012
			US 2015029501 A1 29-01-2015
			WO 2012061451 A2 10-05-2012
-----			
US 5863754	A	26-01-1999	AU 726241 B2 02-11-2000
			CA 2176324 A1 13-11-1996
			JP H09117300 A 06-05-1997
			US 5863754 A 26-01-1999
			US 6107082 A 22-08-2000
-----			

The International Searching Authority has found that this international application contains multiple (groups of) inventions, namely:

1. Claims 1-5 (in full); 23 (in part)

Correct pipetting when using multiphase fluids

2. Claims 6-8 (in full); 23 (in part)

Attaching a filter in a pipette or needle

3. Claims 9-14 (in full); 23 (in part)

Avoiding contamination of a sample container

4. Claims 15-22 (in full); 23 (in part)

Introducing a sample on a sheet-like sample substrate into a sample holder

5. Claims 24-44

Effective sample treatment

**Feld Nr. II Bemerkungen zu den Ansprüchen, die sich als nicht recherchierbar erwiesen haben (Fortsetzung von Punkt 2 auf Blatt 1)**

Gemäß Artikel 17(2)a) wurde aus folgenden Gründen für bestimmte Ansprüche kein internationaler Recherchenbericht erstellt:

1.  Ansprüche Nr.  
weil sie sich auf Gegenstände beziehen, zu deren Recherche diese Behörde nicht verpflichtet ist, nämlich
  
2.  Ansprüche Nr.  
weil sie sich auf Teile der internationalen Anmeldung beziehen, die den vorgeschriebenen Anforderungen so wenig entsprechen, dass eine sinnvolle internationale Recherche nicht durchgeführt werden kann, nämlich
  
3.  Ansprüche Nr.  
weil es sich dabei um abhängige Ansprüche handelt, die nicht entsprechend Satz 2 und 3 der Regel 6.4 a) abgefasst sind.

**Feld Nr. III Bemerkungen bei mangelnder Einheitlichkeit der Erfindung (Fortsetzung von Punkt 3 auf Blatt 1)**

Diese Internationale Recherchenbehörde hat festgestellt, dass diese internationale Anmeldung mehrere Erfindungen enthält:

siehe Zusatzblatt

1.  Da der Anmelder alle erforderlichen zusätzlichen Recherchegebühren rechtzeitig entrichtet hat, erstreckt sich dieser internationale Recherchenbericht auf alle recherchierbaren Ansprüche.
  
2.  Da für alle recherchierbaren Ansprüche die Recherche ohne einen Arbeitsaufwand durchgeführt werden konnte, der zusätzliche Recherchegebühr gerechtfertigt hätte, hat die Behörde nicht zur Zahlung solcher Gebühren aufgefordert.
  
3.  Da der Anmelder nur einige der erforderlichen zusätzlichen Recherchegebühren rechtzeitig entrichtet hat, erstreckt sich dieser internationale Recherchenbericht nur auf die Ansprüche, für die Gebühren entrichtet worden sind, nämlich auf die Ansprüche Nr.
  
4.  Der Anmelder hat die erforderlichen zusätzlichen Recherchegebühren nicht rechtzeitig entrichtet. Dieser internationale Recherchenbericht beschränkt sich daher auf die in den Ansprüchen zuerst erwähnte Erfindung; diese ist in folgenden Ansprüchen erfasst:

**Bemerkungen hinsichtlich eines Widerspruchs**

- Der Anmelder hat die zusätzlichen Recherchegebühren unter Widerspruch entrichtet und die gegebenenfalls erforderliche Widerspruchsgebühr gezahlt.
- Die zusätzlichen Recherchegebühren wurden vom Anmelder unter Widerspruch gezahlt, jedoch wurde die entsprechende Widerspruchsgebühr nicht innerhalb der in der Aufforderung angegebenen Frist entrichtet.
- Die Zahlung der zusätzlichen Recherchegebühren erfolgte ohne Widerspruch.

A. KLASSIFIZIERUNG DES ANMELDUNGSGEGENSTANDES		
INV.	G01N35/04 B01L3/02	G01N35/10 B04B5/04
	G01N35/00	G01N1/28
		B01L3/00
ADD.		
Nach der Internationalen Patentklassifikation (IPC) oder nach der nationalen Klassifikation und der IPC		
B. RECHERCHIERTE GEBIETE		
Recherchierter Mindestprüfstoff (Klassifikationssystem und Klassifikationssymbole)		
G01N B01L B04B		
Recherchierte, aber nicht zum Mindestprüfstoff gehörende Veröffentlichungen, soweit diese unter die recherchierten Gebiete fallen		
Während der internationalen Recherche konsultierte elektronische Datenbank (Name der Datenbank und evtl. verwendete Suchbegriffe)		
EPO-Internal, WPI Data		
C. ALS WESENTLICH ANGESEHENE UNTERLAGEN		
Kategorie*	Bezeichnung der Veröffentlichung, soweit erforderlich unter Angabe der in Betracht kommenden Teile	Betr. Anspruch Nr.
X	US 2002/123156 A1 (TAJIMA HIDEJI [JP]) 5. September 2002 (2002-09-05)	1,5,23
Y	Absätze [0091], [0095], [0131], [0162]; Abbildungen 1,7,12-16	2,3,6-8, 40,41
	-----	
X	US 2003/039589 A1 (SMITH JAMES C [US]) 27. Februar 2003 (2003-02-27)	1,4,5,23
A	Absätze [0005], [0084], [0100], [0113]; Abbildungen 1,5,8,11A-11C	2,3,6-8, 40,41
	-----	
X	US 2009/294385 A1 (TAJIMA HIDEJI [JP] ET AL) 3. Dezember 2009 (2009-12-03)	1,5,23
A	Absätze [0093] - [0115], [0128], [0167]; Abbildungen 1-5,12	2,3,6-8, 40,41
	-----	
Y	US 2013/128035 A1 (JOHNS CHARLES W [US] ET AL) 23. Mai 2013 (2013-05-23)	2,3,40, 41
	Absätze [0065], [0134], [0162], [0164]	
	-----	
	-/--	
<input checked="" type="checkbox"/> Weitere Veröffentlichungen sind der Fortsetzung von Feld C zu entnehmen <input checked="" type="checkbox"/> Siehe Anhang Patentfamilie		
* Besondere Kategorien von angegebenen Veröffentlichungen : "A" Veröffentlichung, die den allgemeinen Stand der Technik definiert, aber nicht als besonders bedeutsam anzusehen ist "E" frühere Anmeldung oder Patent, die bzw. das jedoch erst am oder nach dem internationalen Anmeldedatum veröffentlicht worden ist "L" Veröffentlichung, die geeignet ist, einen Prioritätsanspruch zweifelhaft erscheinen zu lassen, oder durch die das Veröffentlichungsdatum einer anderen im Recherchenbericht genannten Veröffentlichung belegt werden soll oder die aus einem anderen besonderen Grund angegeben ist (wie ausgeführt) "O" Veröffentlichung, die sich auf eine mündliche Offenbarung, eine Benutzung, eine Ausstellung oder andere Maßnahmen bezieht "P" Veröffentlichung, die vor dem internationalen Anmeldedatum, aber nach dem beanspruchten Prioritätsdatum veröffentlicht worden ist "T" Spätere Veröffentlichung, die nach dem internationalen Anmeldedatum oder dem Prioritätsdatum veröffentlicht worden ist und mit der Anmeldung nicht kollidiert, sondern nur zum Verständnis des der Erfindung zugrundeliegenden Prinzips oder der ihr zugrundeliegenden Theorie angegeben ist "X" Veröffentlichung von besonderer Bedeutung; die beanspruchte Erfindung kann allein aufgrund dieser Veröffentlichung nicht als neu oder auf erfinderischer Tätigkeit beruhend betrachtet werden "Y" Veröffentlichung von besonderer Bedeutung; die beanspruchte Erfindung kann nicht als auf erfinderischer Tätigkeit beruhend betrachtet werden, wenn die Veröffentlichung mit einer oder mehreren Veröffentlichungen dieser Kategorie in Verbindung gebracht wird und diese Verbindung für einen Fachmann naheliegend ist "&" Veröffentlichung, die Mitglied derselben Patentfamilie ist		
Datum des Abschlusses der internationalen Recherche		Absenddatum des internationalen Recherchenberichts
3. März 2016		11/03/2016
Name und Postanschrift der Internationalen Recherchenbehörde Europäisches Patentamt, P.B. 5818 Patentlaan 2 NL - 2280 HV Rijswijk Tel. (+31-70) 340-2040, Fax: (+31-70) 340-3016		Bevollmächtigter Bediensteter  Eidmann, Gunnar

C. (Fortsetzung) ALS WESENTLICH ANGESEHENE UNTERLAGEN		
Kategorie*	Bezeichnung der Veröffentlichung, soweit erforderlich unter Angabe der in Betracht kommenden Teile	Betr. Anspruch Nr.
Y	US 3 596 673 A (LAUCOURNET ROBERT) 3. August 1971 (1971-08-03)	2
A	Spalte 2, Zeile 1 - Zeile 73; Abbildung 1 -----	3,40,41
Y	US 2011/107855 A1 (MOTADEL ARTA [US]) 12. Mai 2011 (2011-05-12) Absatz [0072] -----	6
Y	US 2005/016916 A1 (ZERMANI THOMAS [US] ET AL) 27. Januar 2005 (2005-01-27) Absätze [0009], [0022]; Abbildung 3 -----	7,8
X	US 2007/134131 A1 (WATSON LESLIE R [AU] ET AL) 14. Juni 2007 (2007-06-14)	9,10
Y	Absatz [0139]; Abbildung 7A	11-14, 34-37,39
X	US 2012/244541 A1 (RAPP MARTIN [CH]) 27. September 2012 (2012-09-27)	9,10
A	Absatz [0005] -----	11-14
Y	US 5 604 130 A (WARNER BRIAN D [US] ET AL) 18. Februar 1997 (1997-02-18) Spalte 3, Zeile 24 - Spalte 4, Zeile 10; Abbildung 1 -----	11,12, 36,37
Y	US 6 027 694 A (BOULTON DAVID A [US] ET AL) 22. Februar 2000 (2000-02-22) Spalte 4, Zeile 21 - Spalte 6, Zeile 53; Abbildungen 1,6 -----	13,14,39
X	WO 2009/068749 A2 (WALLAC OY [FI]; ERKKILAE VESA [FI]; KITINOJA ARI-PEKKA [FI]; MATTILA J) 4. Juni 2009 (2009-06-04)	15-22
Y	Seite 2, Zeile 18 - Zeile 24 Seite 3, Zeile 1 - Zeile 18 Seite 6, Zeile 9 - Zeile 17 Seite 8, Zeile 22 - Zeile 29 Seite 9, Zeile 11 - Zeile 17 Seite 10, Zeile 27 - Seite 11, Zeile 7 -----	29-32
X	US 7 745 204 B1 (AIDUN CYRUS K [US] ET AL) 29. Juni 2010 (2010-06-29)	15-22
Y	Spalte 3, Zeile 53 - Spalte 6, Zeile 21; Abbildung 1 -----	28
X	US 2013/327195 A1 (ROUTAMAA MIKA OLAVI [FI] ET AL) 12. Dezember 2013 (2013-12-12)	15-18, 20-22
A	Absatz [0029] - Absatz [0035]; Abbildung 1 -----	28
	-/--	

C. (Fortsetzung) ALS WESENTLICH ANGESEHENE UNTERLAGEN		
Kategorie*	Bezeichnung der Veröffentlichung, soweit erforderlich unter Angabe der in Betracht kommenden Teile	Betr. Anspruch Nr.
X	US 2012/105837 A1 (INGBER GAL [IL]) 3. Mai 2012 (2012-05-03)	24-27, 33,38, 42-44
Y	Absätze [0081], [0084] - [0086], [0091], [0092]; Abbildungen 1A,3A,3B,6	28-32, 34-37, 39-41
	-----	
X	US 5 863 754 A (BAJARD JEAN [FR]) 26. Januar 1999 (1999-01-26)	24-27, 33,38, 42-44
Y	Spalte 9, Zeile 29 - Zeile 45; Abbildungen	28
A	1,2 Spalte 13, Zeile 4 - Zeile 6 Spalte 14, Zeile 55 - Zeile 62 Spalte 15, Zeile 26 - Zeile 34 Spalte 16, Zeile 58 - Zeile 62	29-32, 34-37, 39-41
	-----	

## INTERNATIONALER RECHERCHENBERICHT

Angaben zu Veröffentlichungen, die zur selben Patentfamilie gehören

Internationales Aktenzeichen

PCT/EP2015/066965

Im Recherchenbericht angeführtes Patentdokument	Datum der Veröffentlichung	Mitglied(er) der Patentfamilie	Datum der Veröffentlichung
US 2002123156 A1	05-09-2002	CA 2183638 A1	21-09-1996
		CN 1148892 A	30-04-1997
		DE 69634794 D1	07-07-2005
		DE 69634794 T2	27-04-2006
		EP 0763739 A1	19-03-1997
		EP 1519196 A2	30-03-2005
		JP 3630493 B2	16-03-2005
		JP H08320274 A	03-12-1996
		US 5895631 A	20-04-1999
		US 2002123156 A1	05-09-2002
		WO 9629602 A1	26-09-1996
US 2003039589 A1	27-02-2003	US 6117394 A	12-09-2000
		US 6482362 B1	19-11-2002
		US 2003039589 A1	27-02-2003
US 2009294385 A1	03-12-2009	EP 1882524 A1	30-01-2008
		JP 5038131 B2	03-10-2012
		US 2009294385 A1	03-12-2009
		WO 2006123688 A1	23-11-2006
US 2013128035 A1	23-05-2013	CN 103975245 A	06-08-2014
		CN 104040352 A	10-09-2014
		CN 104040353 A	10-09-2014
		CN 104040357 A	10-09-2014
		CN 104053997 A	17-09-2014
		CN 104105969 A	15-10-2014
		EP 2776843 A2	17-09-2014
		EP 2776844 A2	17-09-2014
		EP 2776845 A1	17-09-2014
		EP 2776846 A1	17-09-2014
		EP 2776847 A1	17-09-2014
		EP 2776848 A2	17-09-2014
		JP 2014532879 A	08-12-2014
		JP 2014532880 A	08-12-2014
		JP 2014532881 A	08-12-2014
		JP 2014532882 A	08-12-2014
		JP 2014534447 A	18-12-2014
		JP 2015502841 A	29-01-2015
		KR 20140091032 A	18-07-2014
		KR 20140091033 A	18-07-2014
		KR 20140092375 A	23-07-2014
		KR 20140092377 A	23-07-2014
		KR 20140092378 A	23-07-2014
		KR 20140092869 A	24-07-2014
		US 2013123089 A1	16-05-2013
		US 2013125648 A1	23-05-2013
		US 2013125675 A1	23-05-2013
		US 2013126302 A1	23-05-2013
		US 2013128035 A1	23-05-2013
		US 2013129166 A1	23-05-2013
		US 2014305227 A1	16-10-2014
		US 2015238978 A1	27-08-2015
WO 2013070716 A2	16-05-2013		
WO 2013070740 A1	16-05-2013		
WO 2013070744 A2	16-05-2013		
WO 2013070748 A1	16-05-2013		
WO 2013070754 A1	16-05-2013		

## INTERNATIONALER RECHERCHENBERICHT

Angaben zu Veröffentlichungen, die zur selben Patentfamilie gehören

Internationales Aktenzeichen

PCT/EP2015/066965

Im Recherchenbericht angeführtes Patentdokument	Datum der Veröffentlichung	Mitglied(er) der Patentfamilie	Datum der Veröffentlichung
		WO 2013070755 A2	16-05-2013
		WO 2013070756 A2	16-05-2013
US 3596673	A 03-08-1971	BE 726974 A	16-07-1969
		CH 489002 A	15-04-1970
		FR 1568072 A	23-05-1969
		GB 1251435 A	27-10-1971
		JP S4927067 B1	15-07-1974
		LU 57801 A1	20-07-1970
		NL 6901272 A	28-07-1969
		US 3596673 A	03-08-1971
US 2011107855	A1 12-05-2011	AU 2009228086 A1	01-10-2009
		CA 2719787 A1	01-10-2009
		EP 2274099 A2	19-01-2011
		JP 2011517773 A	16-06-2011
		JP 2013253989 A	19-12-2013
		JP 2015025819 A	05-02-2015
		US 2011107855 A1	12-05-2011
		WO 2009121032 A2	01-10-2009
US 2005016916	A1 27-01-2005	EP 1272255 A2	08-01-2003
		US 2001045389 A1	29-11-2001
		US 2005016916 A1	27-01-2005
		WO 0176717 A2	18-10-2001
US 2007134131	A1 14-06-2007	EP 1034418 A1	13-09-2000
		US 6599476 B1	29-07-2003
		US 2004005245 A1	08-01-2004
		US 2007134131 A1	14-06-2007
		WO 9928724 A1	10-06-1999
US 2012244541	A1 27-09-2012	EP 2431747 A1	21-03-2012
		US 2012244541 A1	27-09-2012
US 5604130	A 18-02-1997	AT 224769 T	15-10-2002
		AU 5882696 A	24-12-1996
		DE 69623955 D1	31-10-2002
		DE 69623955 T2	23-01-2003
		DK 0828560 T3	14-10-2002
		EP 0828560 A2	18-03-1998
		ES 2186784 T3	16-05-2003
		JP 3519086 B2	12-04-2004
		JP H11507508 A	06-07-1999
		PT 828560 E	28-02-2003
		US 5604130 A	18-02-1997
		WO 9639481 A2	12-12-1996
US 6027694	A 22-02-2000	AU 9575398 A	10-05-1999
		CA 2306395 A1	29-04-1999
		EP 1023122 A2	02-08-2000
		US 6027694 A	22-02-2000
		WO 9920394 A2	29-04-1999
WO 2009068749	A2 04-06-2009	KEINE	
US 7745204	B1 29-06-2010	KEINE	

**INTERNATIONALER RECHERCHENBERICHT**

Angaben zu Veröffentlichungen, die zur selben Patentfamilie gehören

Internationales Aktenzeichen

PCT/EP2015/066965

Im Recherchenbericht angeführtes Patentdokument	Datum der Veröffentlichung	Mitglied(er) der Patentfamilie	Datum der Veröffentlichung
US 2013327195 A1	12-12-2013	AU 2012208507 A1	29-08-2013
		CN 103354896 A	16-10-2013
		EP 2666005 A1	27-11-2013
		FI 20115057 A	22-07-2012
		US 2013327195 A1	12-12-2013
		WO 2012098286 A1	26-07-2012
-----			
US 2012105837 A1	03-05-2012	CA 2853976 A1	10-05-2012
		EP 2635670 A2	11-09-2013
		US 2012105837 A1	03-05-2012
		US 2015029501 A1	29-01-2015
		WO 2012061451 A2	10-05-2012
-----			
US 5863754 A	26-01-1999	AU 726241 B2	02-11-2000
		CA 2176324 A1	13-11-1996
		JP H09117300 A	06-05-1997
		US 5863754 A	26-01-1999
		US 6107082 A	22-08-2000
-----			

## WEITERE ANGABEN

PCT/ISA/ 210

Die internationale Recherchenbehörde hat festgestellt, dass diese internationale Anmeldung mehrere (Gruppen von) Erfindungen enthält, nämlich:

1. Ansprüche: 1-5(vollständig); 23(teilweise)

Korrektes Pipettieren bei Verwendung mehrphasiger Flüssigkeiten  
---

2. Ansprüche: 6-8(vollständig); 23(teilweise)

Befestigen eines Filters in einer Pipette oder Nadel  
---

3. Ansprüche: 9-14(vollständig); 23(teilweise)

Vermeiden von Kontaminationen eines Probenbehälters  
---

4. Ansprüche: 15-22(vollständig); 23(teilweise)

Einbringen einer auf einem blattförmigen Probenträger vorliegenden Probe in einen Probenträger  
---

5. Ansprüche: 24-44

Effektive Probenbehandlung  
---