



US00D664463S

(12) **United States Design Patent**
Miranda

(10) **Patent No.:** **US D664,463 S**

(45) **Date of Patent:** **** Jul. 31, 2012**

(54) **VEHICLE EMERGENCY SIGN**

Primary Examiner — George D Kirschbaum

(76) Inventor: **Leopoldo Miranda**, Hawaiian Gardens,
CA (US)

(**) Term: **14 Years**

(21) Appl. No.: **29/402,341**

(22) Filed: **Sep. 22, 2011**

(51) **LOC (9) Cl.** **10-05**

(52) **U.S. Cl.** **D10/113.4**

(58) **Field of Classification Search** 116/63 C;
256/19; 362/152, 249.03; 404/6; D21/814;
175/45; D26/27, 28

See application file for complete search history.

(56) **References Cited**

U.S. PATENT DOCUMENTS

D419,703 S *	1/2000	Diller, Jr.	D26/28
6,036,336 A *	3/2000	Wu	362/249.03
D439,183 S *	3/2001	Diller, Jr.	D10/109.1
D640,945 S *	7/2011	Miranda	D10/113.4

* cited by examiner

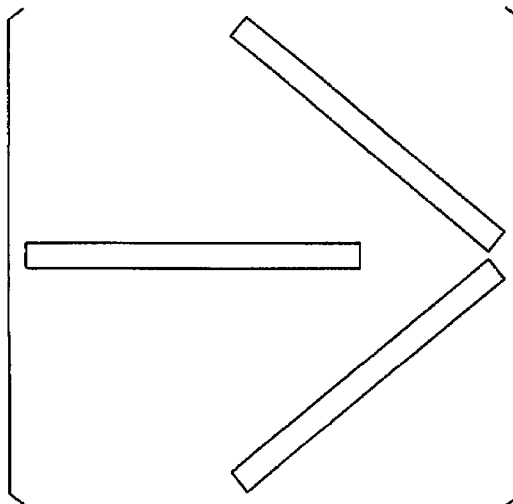
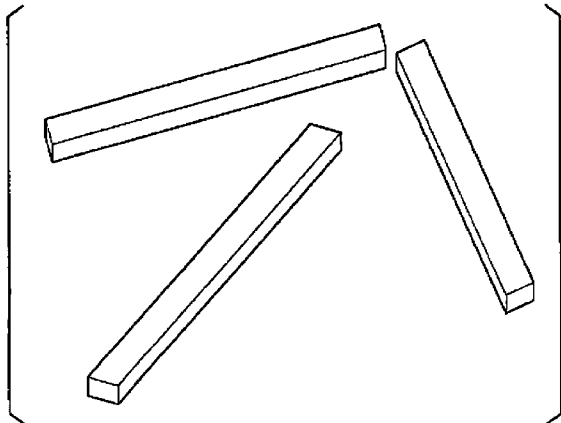
(57) **CLAIM**

I claim, the ornamental design for the vehicle emergency sign, as shown and described.

DESCRIPTION

FIG. 1 is a perspective view of the vehicle emergency sign showing my new design;
 FIG. 2 is a second perspective view thereof;
 FIG. 3 is a top view thereof;
 FIG. 4 is a bottom view thereof;
 FIG. 5 is left side view thereof;
 FIG. 6 is a second left side view thereof;
 FIG. 7 is a right side view thereof;
 FIG. 8 is a second right side view thereof;
 FIG. 9 is front view thereof;
 FIG. 10 is a second front view thereof;
 FIG. 11 is a back thereof; and,
 FIG. 12 is a second back view thereof.

1 Claim, 3 Drawing Sheets



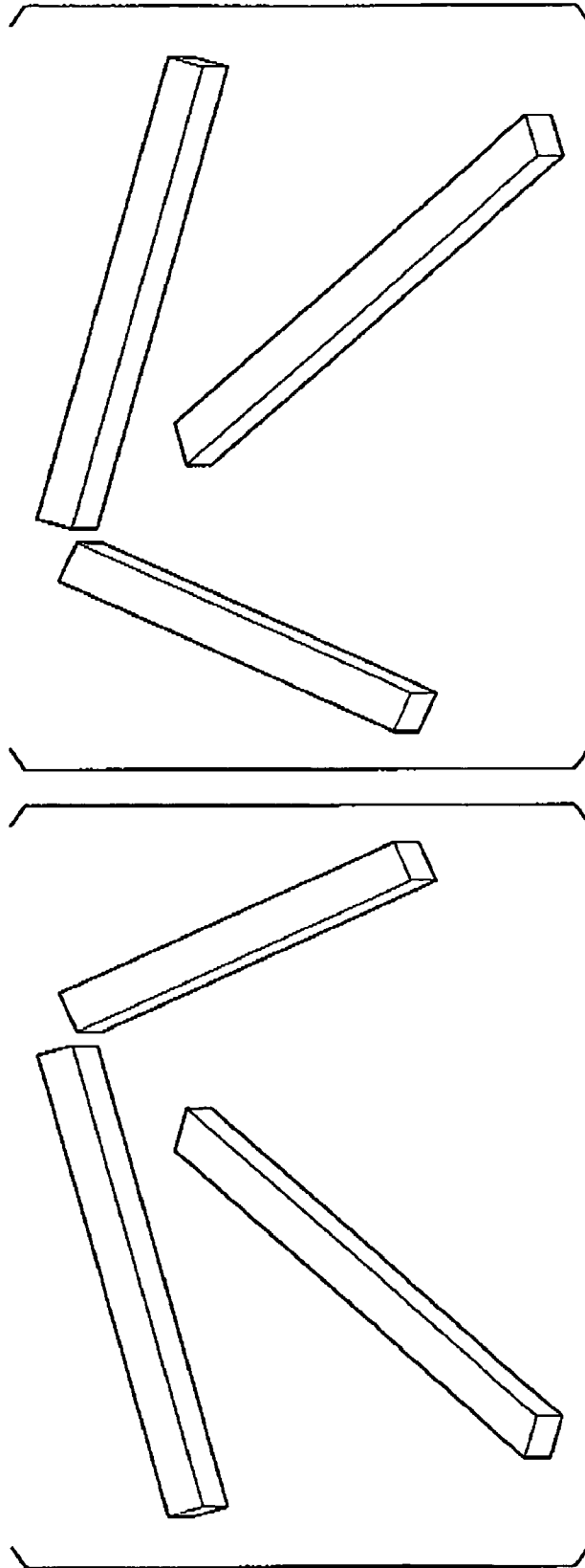


Figure 2

Figure 1

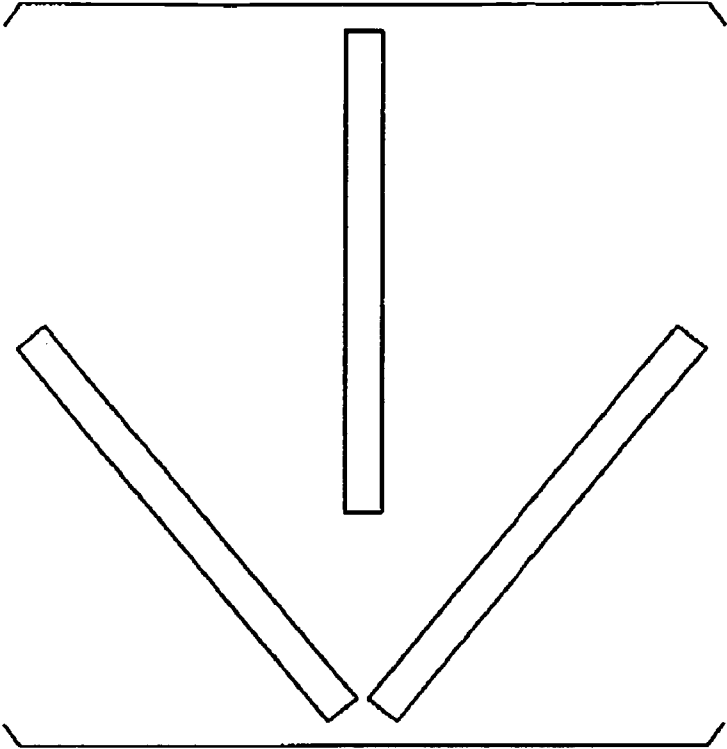


Figure 4

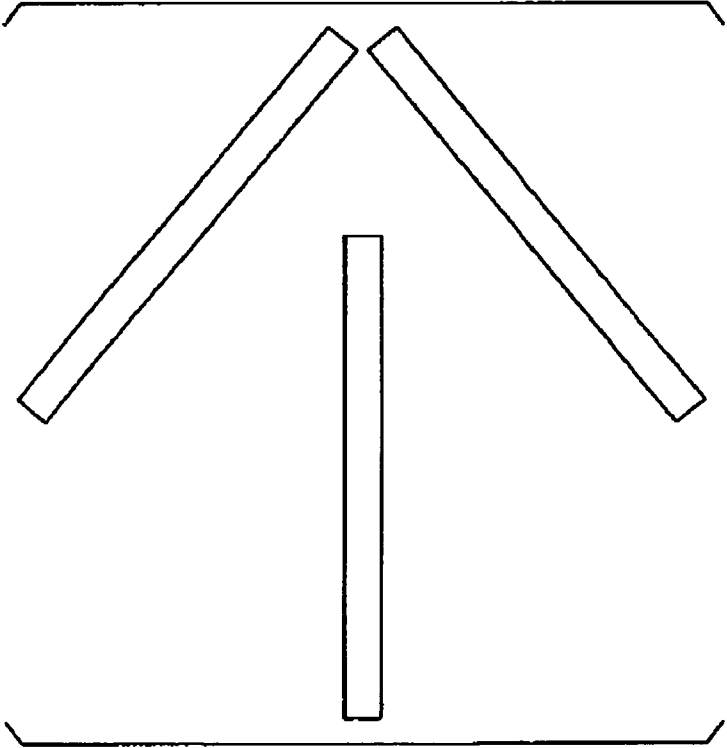


Figure 3

