



US00D690294S

(12) **United States Design Patent**
Isonaga et al.

(10) **Patent No.:** **US D690,294 S**

(45) **Date of Patent:** **** Sep. 24, 2013**

(54) **COMPUTER**

- (71) Applicant: **Sony Corporation**, Tokyo (JP)
- (72) Inventors: **Yasuaki Isonaga**, Tokyo (JP); **Shuhei Yukawa**, Tokyo (JP)
- (73) Assignee: **Sony Corporation**, Tokyo (JP)
- (**) Term: **14 Years**
- (21) Appl. No.: **29/421,921**
- (22) Filed: **Oct. 19, 2012**

Related U.S. Application Data

- (62) Division of application No. 29/371,653, filed on Jun. 24, 2011, now Pat. No. Des. 671,540.

Foreign Application Priority Data

- Dec. 24, 2010 (JP) D2010-030798
- Dec. 24, 2010 (JP) D2012-030797
- Dec. 27, 2010 (JP) D2010-031182
- Dec. 28, 2010 (JP) D2010-031493
- Dec. 29, 2010 (JP) D2010-031590
- Dec. 29, 2010 (JP) D2010-031591

- (51) **LOC (9) Cl.** **14-02**
- (52) **U.S. Cl.**
USPC **D14/336**

- (58) **Field of Classification Search**
USPC D14/371-375, 125-129, 336, 337;
341/12; 345/104, 156, 168, 173; 348/180,
348/184, 325, 739; 349/1, 2, 11, 62;
361/679.05-679.07, 679.21; D6/300, 308
See application file for complete search history.

(56) **References Cited**

U.S. PATENT DOCUMENTS

D504,876 S	5/2005	Zheng	
D529,911 S	10/2006	Yamashiro et al.	
D556,744 S	12/2007	Katagiri et al.	
D556,745 S	12/2007	Katagiri et al.	
D558,696 S	1/2008	Park et al.	
D563,335 S	3/2008	Murata et al.	
D601,143 S	9/2009	Oikawa et al.	
D615,508 S	5/2010	Kumano	
D615,542 S	5/2010	Oikawa et al.	
D620,903 S	8/2010	Song et al.	
D620,904 S	8/2010	Honda	
D634,323 S	3/2011	Park et al.	
D671,540 S	* 11/2012	Yukawa et al. D14/336

OTHER PUBLICATIONS

Web page, Press Release, <http://www.sony.jp/CorporateCruise/Press/201103/11-0308B/>, 2 sheets, Sony Marketing (Japan) Inc., Mar. 8, 2011.

* cited by examiner

Primary Examiner — Freda S Nunn

(74) *Attorney, Agent, or Firm* — Rader, Fishman & Grauer PLLC

CLAIM

(57) The ornamental design for a computer, as shown and described.

DESCRIPTION

FIG. 1 is a rear, top, right perspective view a computer showing our new design; FIG. 2 is a rear elevational view thereof; and, FIG. 3 is a cross sectional view thereof along the lines 3-3 and 3'-3' of FIG. 2. Broken lines shown in the drawings illustrate portions of the computer, and form no part of the claimed design.

1 Claim, 3 Drawing Sheets

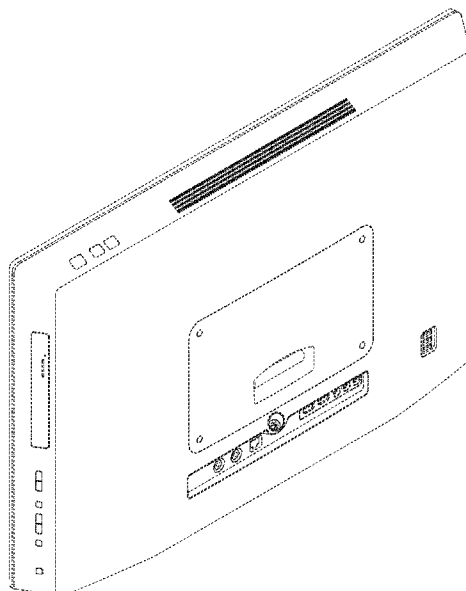


FIG.1

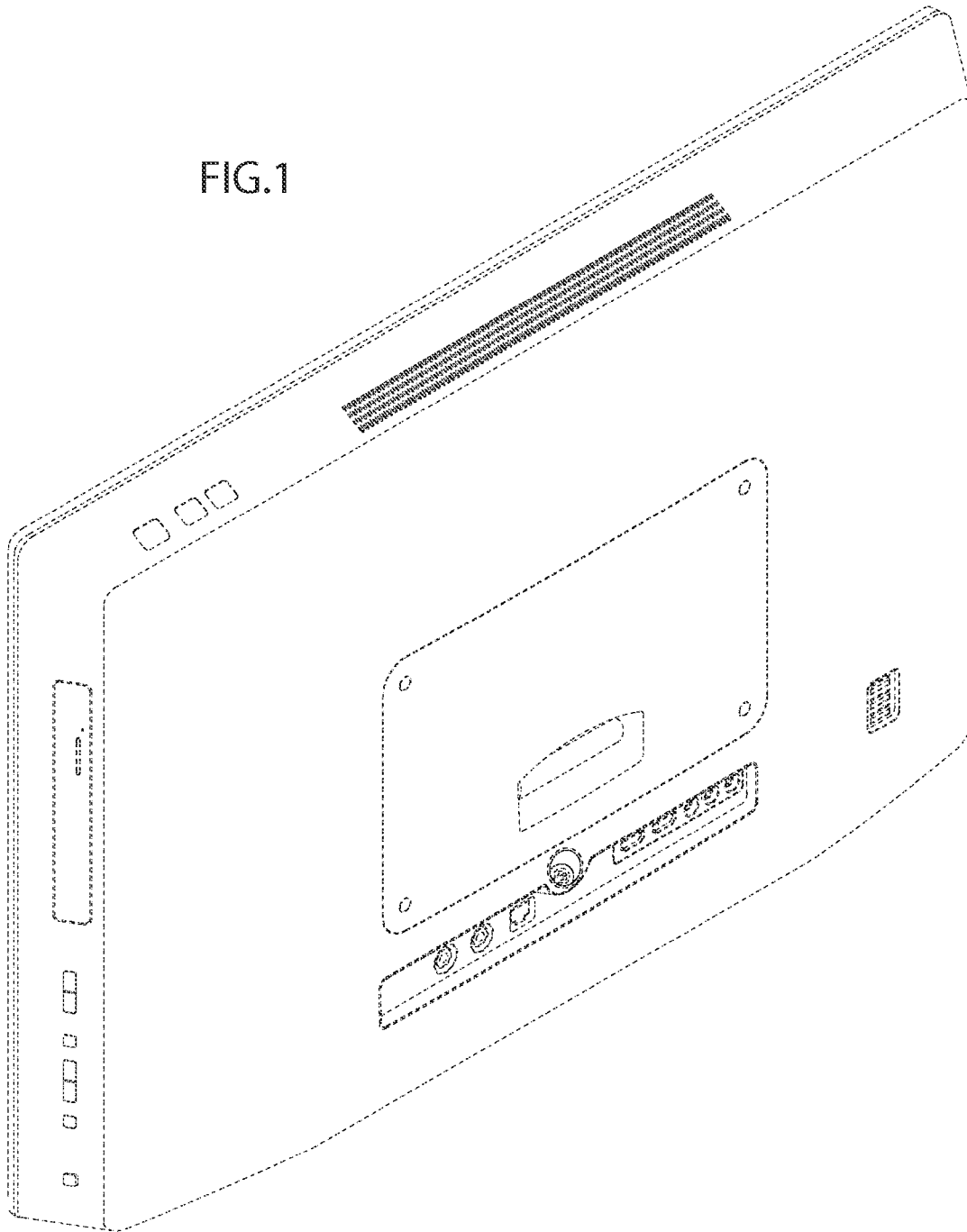


FIG.2

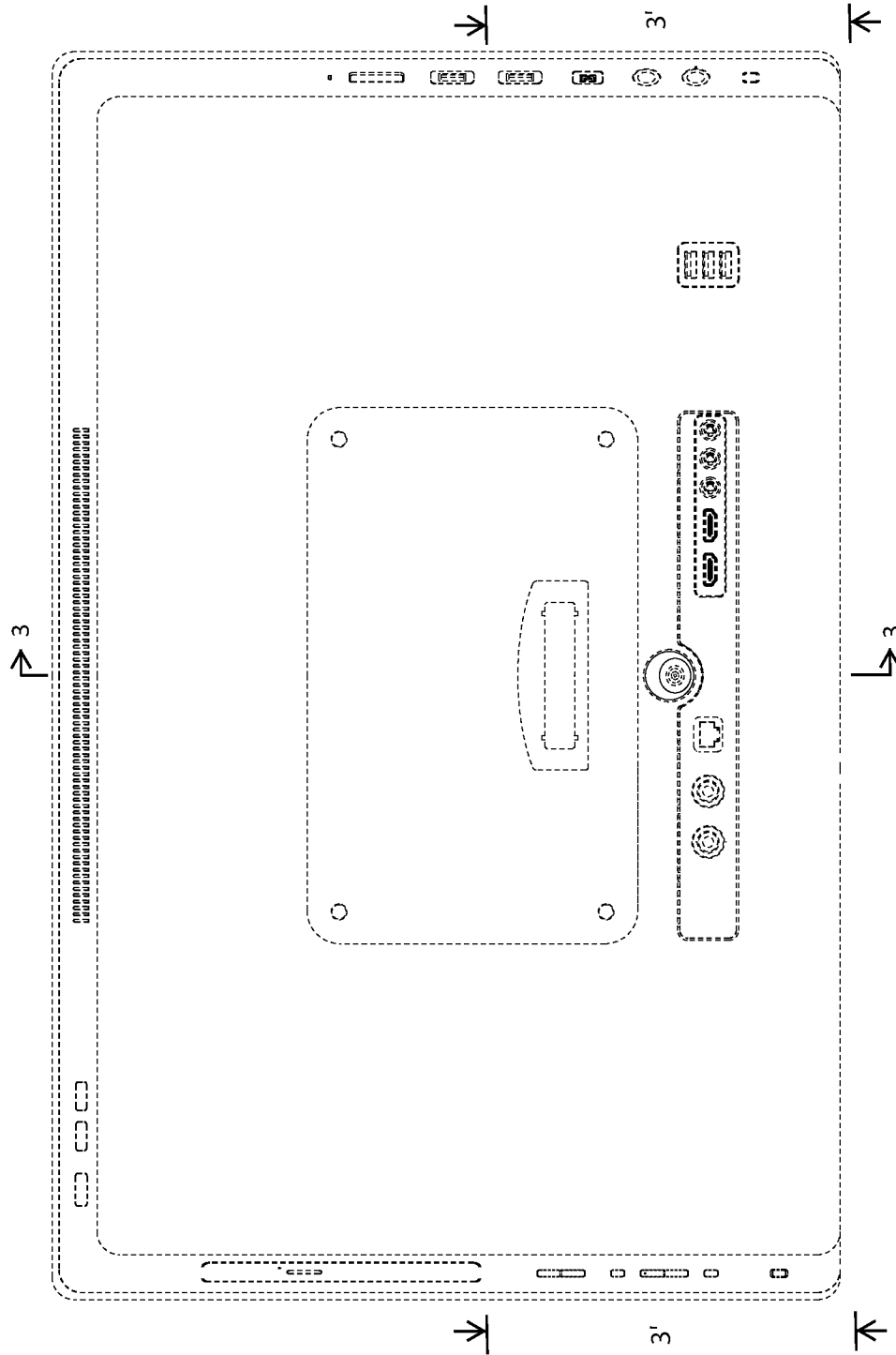


FIG.3

