



US00D543722S

(12) **United States Design Patent**
Cookson

(10) **Patent No.:** **US D543,722 S**

(45) **Date of Patent:** **** Jun. 5, 2007**

(54) **BED TABLE**

6,240,856 B1 * 6/2001 Paskey et al. 108/146
6,688,634 B2 * 2/2004 Noffsinger 280/651

(76) Inventor: **William C. Cookson**, 6565 S. Newport Ave., Apt. 101, Tulsa, OK (US) 74136

* cited by examiner

(**) Term: **14 Years**

Primary Examiner—Charles A. Rademaker

Assistant Examiner—Charles Hanson

(21) Appl. No.: **29/226,453**

(74) *Attorney, Agent, or Firm*—Donald R. Schoonover

(22) Filed: **Mar. 30, 2005**

(57) **CLAIM**

(51) **LOC (8) Cl.** **06-06**

I claim the ornamental design for a bed table, as shown and described.

(52) **U.S. Cl.** **D6/406.2**

(58) **Field of Classification Search** D6/406.1,
D6/406.2, 406.3, 406.5, 385, 449, 486; 248/125.1,
248/125.7, 118.3; 108/8, 106, 146; 403/108,
403/113; 211/205; 280/651; D14/451,
D14/452, 457
See application file for complete search history.

DESCRIPTION

FIG. 1 is a perspective view of a bed table showing my new design;

FIG. 2 is a side elevational view thereof;

FIG. 3 is an end elevational view thereof;

FIG. 4 is an elevational view of the opposing side thereof;

FIG. 5 is a top plan view thereof;

FIG. 6 is a bottom plan view thereof;

FIG. 7 is an elevational view of the opposing end thereof; and,

FIG. 8 is a perspective view showing the bed table in use; the broken lines depict environmental structure for illustrative purposes only and form no part of the claimed design.

The cord member shown in FIGS. 1, 2, 3, 4, and 7 is shown broken away and in fragment for ease of illustration.

(56) **References Cited**

U.S. PATENT DOCUMENTS

4,077,333	A *	3/1978	Ballas	108/6
D261,837	S *	11/1981	Sonder et al.	D6/406.2
4,313,589	A	2/1982	Vega	
D292,956	S *	12/1987	Inoue et al.	D6/449
D295,348	S *	4/1988	Muller	D6/406.2
5,181,681	A	1/1993	Edwards	
5,374,019	A *	12/1994	Fischer	248/125.7
D375,641	S *	11/1996	Dhanapal et al.	D6/486
5,690,309	A	11/1997	Blum	
5,746,334	A *	5/1998	Brandenberg	211/205
6,021,535	A	2/2000	Baus et al.	
6,224,026	B1 *	5/2001	Dubois	248/118.3

1 Claim, 3 Drawing Sheets

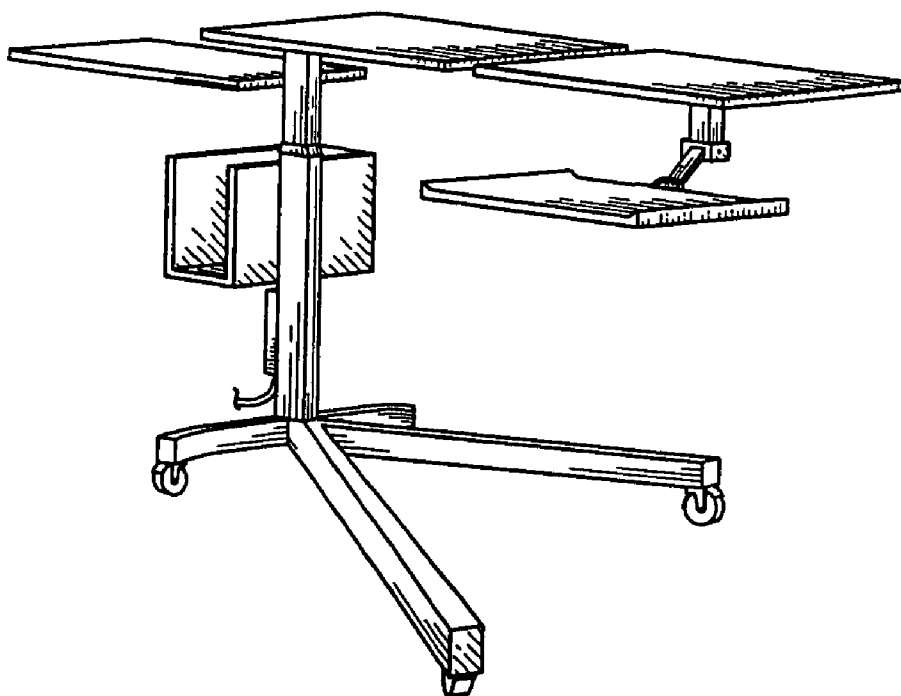


Fig. 1

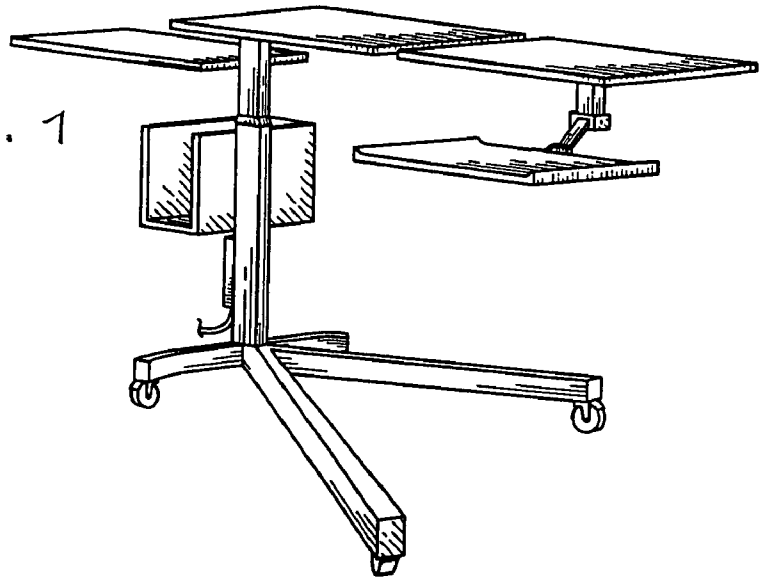


Fig. 2

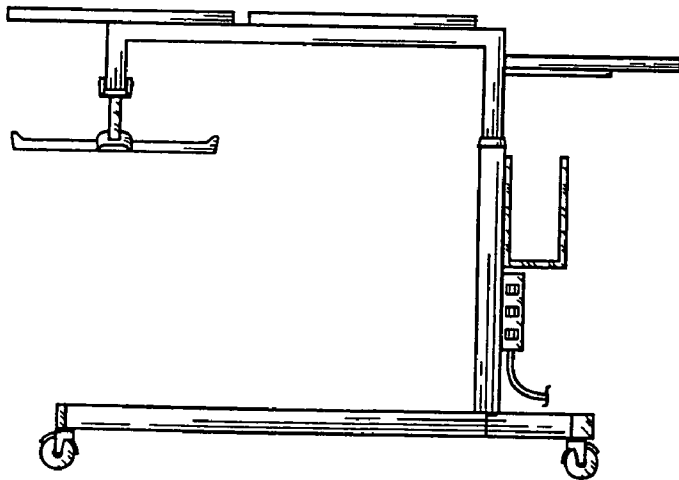
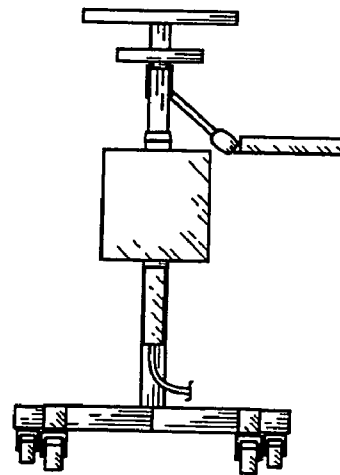


Fig. 3



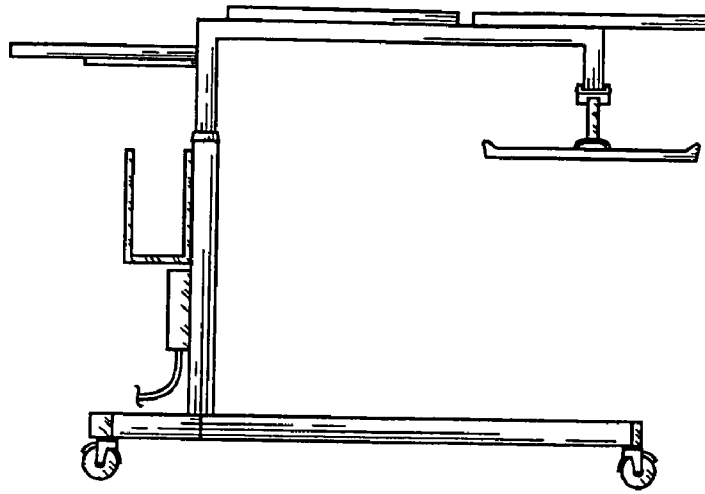


Fig. 4

Fig. 5

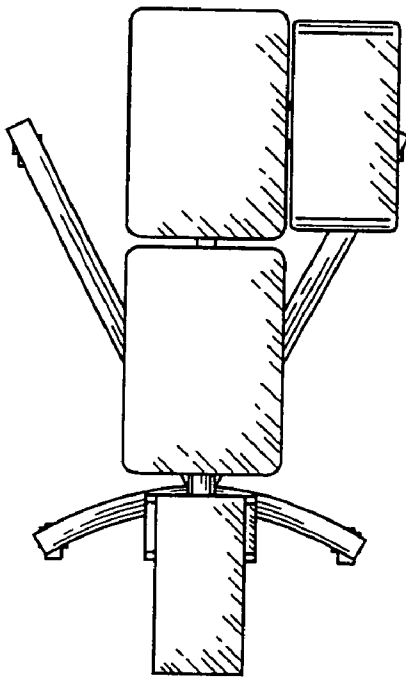


Fig. 6

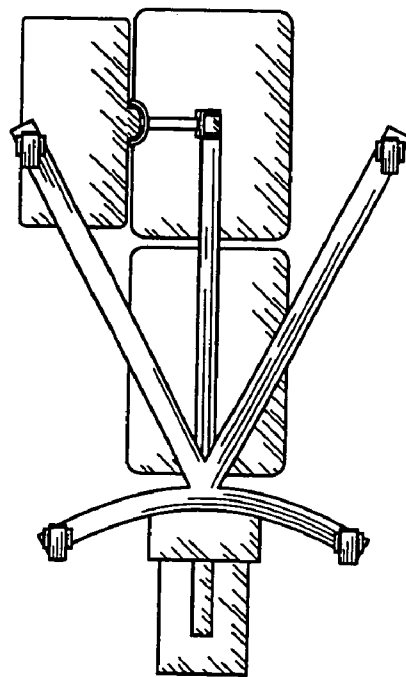


Fig. 7

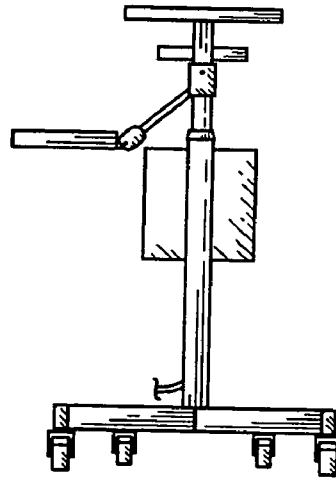


Fig. 8

