



(12) **United States Design Patent**  
**Puckett**

(10) **Patent No.:** **US D968,353 S**  
(45) **Date of Patent:** **\*\* \*Nov. 1, 2022**

(54) **PENDANT SPEAKER**

- (71) Applicant: **Bose Corporation**, Framingham, MA (US)
- (72) Inventor: **Scott Puckett**, West Warwick, RI (US)
- (73) Assignee: **Bose Corporation**, Framingham, MA (US)
- (\* ) Notice: This patent is subject to a terminal disclaimer.
- (\*\*) Term: **15 Years**
- (21) Appl. No.: **29/734,543**

- (22) Filed: **May 13, 2020**
- (51) **LOC (13) Cl.** ..... **14-01**
- (52) **U.S. Cl.**  
USPC ..... **D14/204**
- (58) **Field of Classification Search**  
USPC ..... D14/168, 207, 209, 209.1, 215, 496;  
D23/213; D7/597  
CPC ..... H04R 1/30; H04R 1/021; H04R 5/00  
See application file for complete search history.

(56) **References Cited**

**U.S. PATENT DOCUMENTS**

D633,898 S *	3/2011	Seo	.....	D14/216
D644,350 S *	8/2011	Hasse	.....	D26/2
D697,046 S *	1/2014	Hanna	.....	D14/204
D718,280 S *	11/2014	Yoon	.....	D14/216
D718,281 S *	11/2014	Schmiedbauer	.....	D14/216
D829,689 S *	10/2018	Kim	.....	D14/216
D865,709 S *	11/2019	Gentle	.....	D14/209
D905,049 S *	12/2020	Lu	.....	D14/314
D914,638 S *	3/2021	Laube	.....	D14/207

**OTHER PUBLICATIONS**

[Bose Pro DesigMax Pendant Loudspeakers], announced in YouTube on May 2, 2021 [online], [site visited Jan. 19, 2022], Available from the internet URL: <https://www.youtube.com/watch?v=JvXEDjvWV8I> (Year: 2021).\*

[Introducing Bose DesignMax Pendant Loudspeakers], announced in YouTube on Jun. 29, 2021 [online], [site visited Jan. 19, 2022], Available from the internet URL: <https://www.youtube.com/watch?v=t5dTbhv-7BE> (Year: 2021).\*

\* cited by examiner

*Primary Examiner* — Khawaja Anwar  
*Assistant Examiner* — Megan Tiana Rakos  
 (74) *Attorney, Agent, or Firm* — Bose Corporation

(57) **CLAIM**

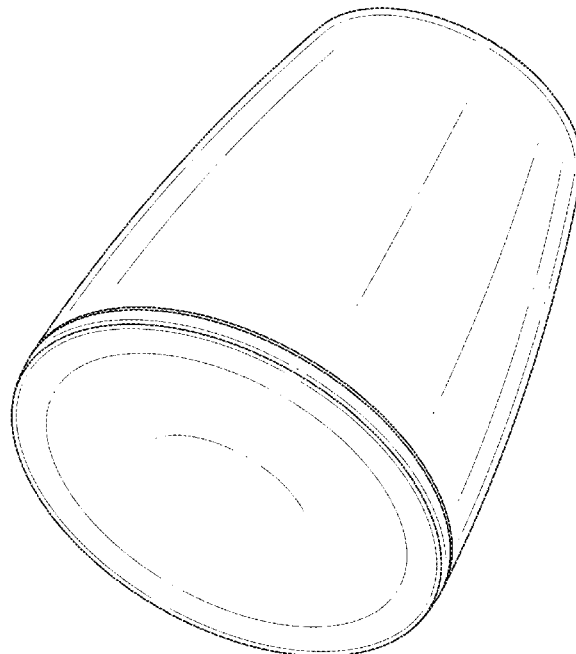
The ornamental design for a pendant speaker, substantially as shown and described.

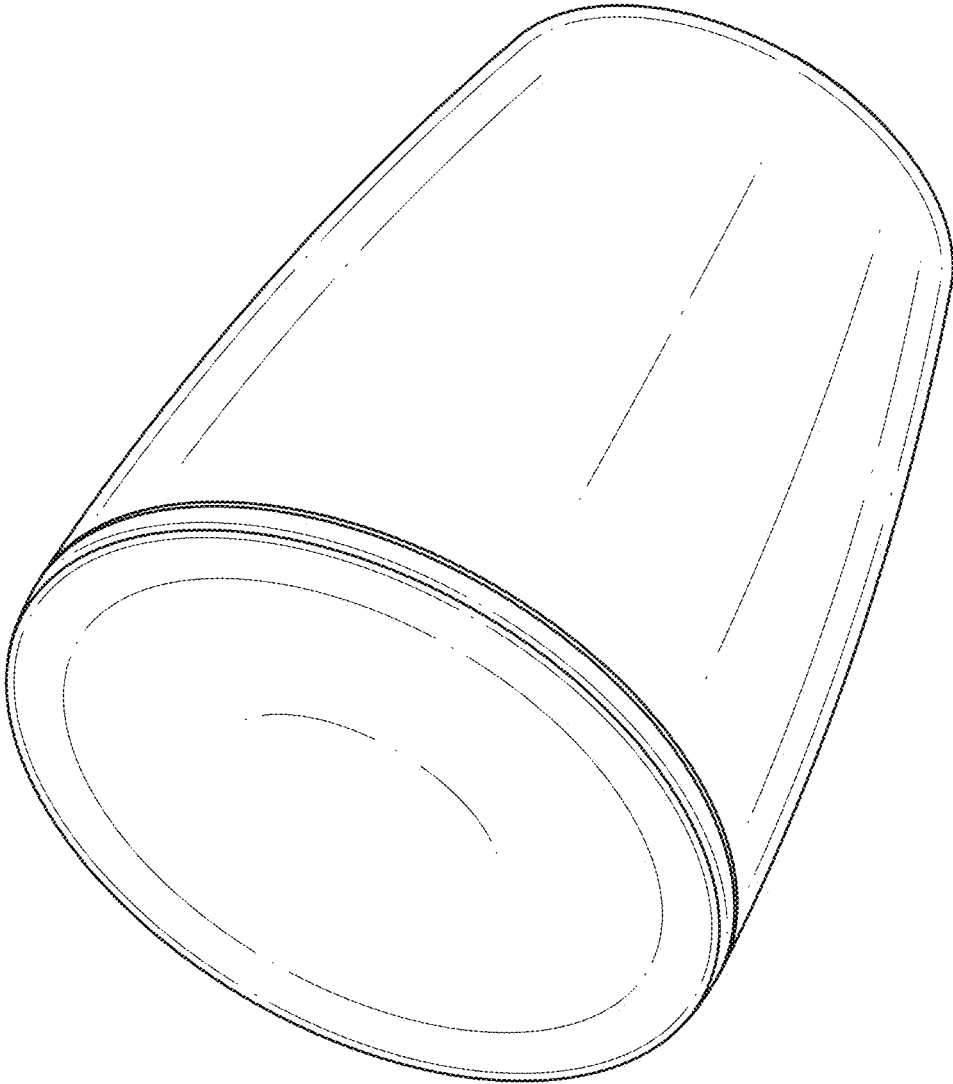
**DESCRIPTION**

FIG. 1 is a perspective view of the pendant speaker as seen from the bottom, front, and right side;  
 FIG. 2 is a left side view thereof;  
 FIG. 3 is a front view thereof;  
 FIG. 4 is a right side view thereof;  
 FIG. 5 is a rear view thereof;  
 FIG. 6 is a top view thereof; and,  
 FIG. 7 is a bottom view thereof.

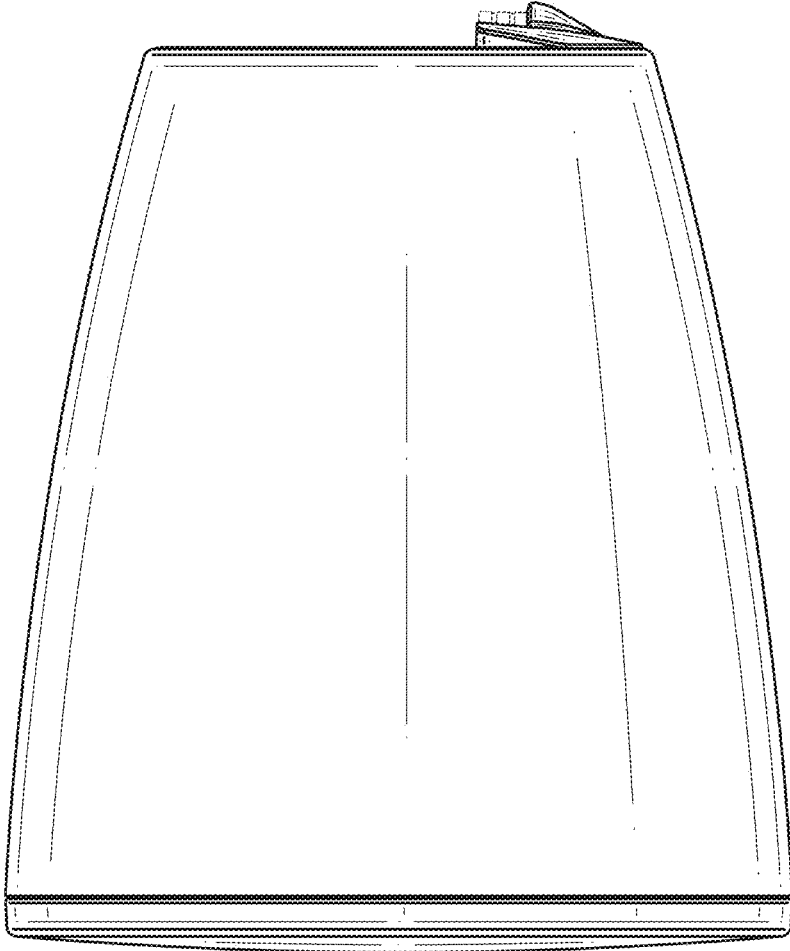
In the drawings the claimed design is defined by the shaded surfaces; the dotted line portions of the drawings represent environmental structure only and do not form part of the claimed design.

**1 Claim, 7 Drawing Sheets**

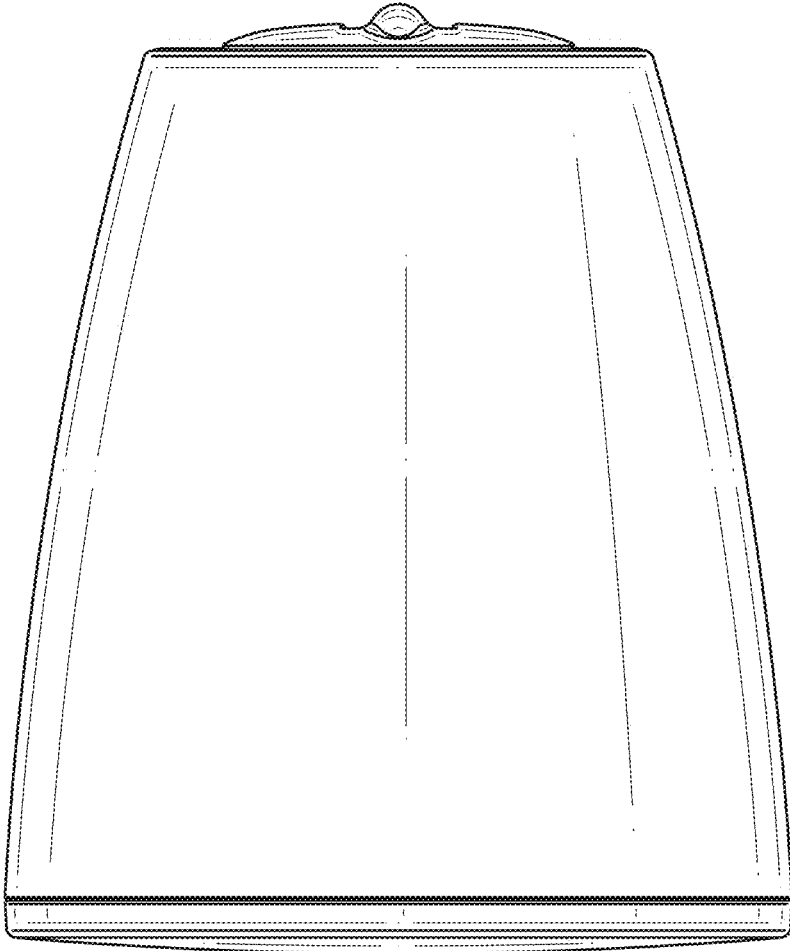




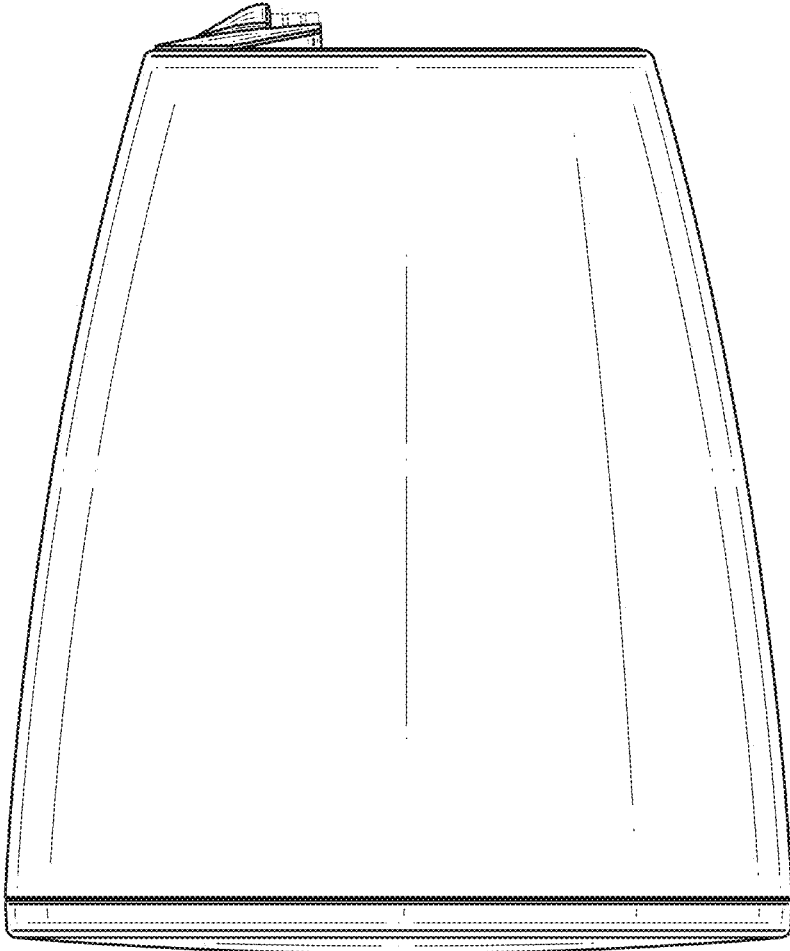
**FIG. 1**



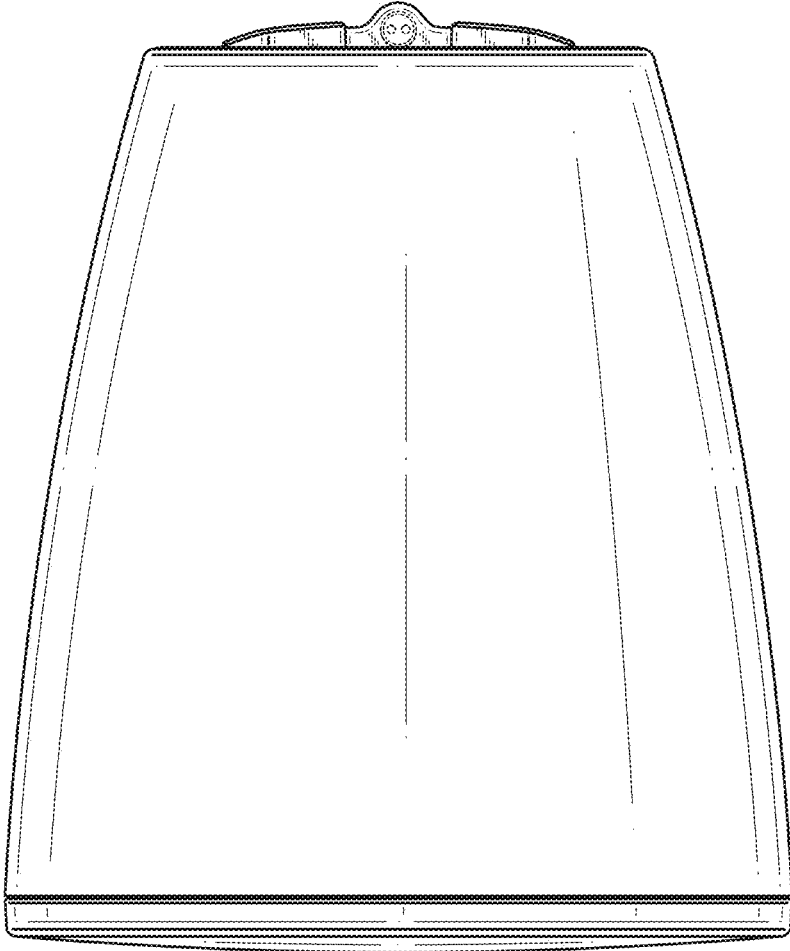
**FIG. 2**



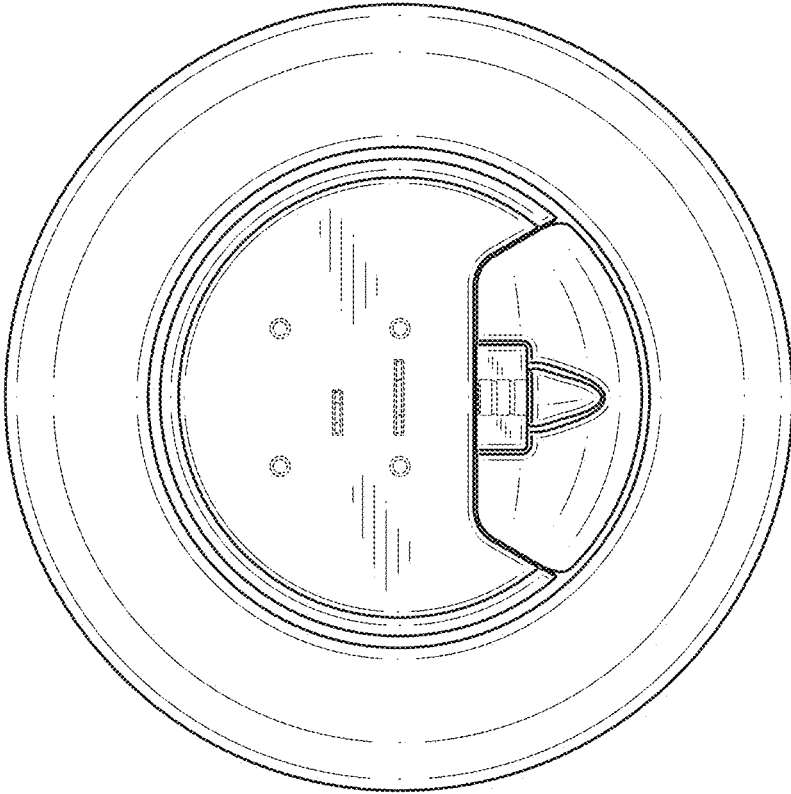
**FIG. 3**



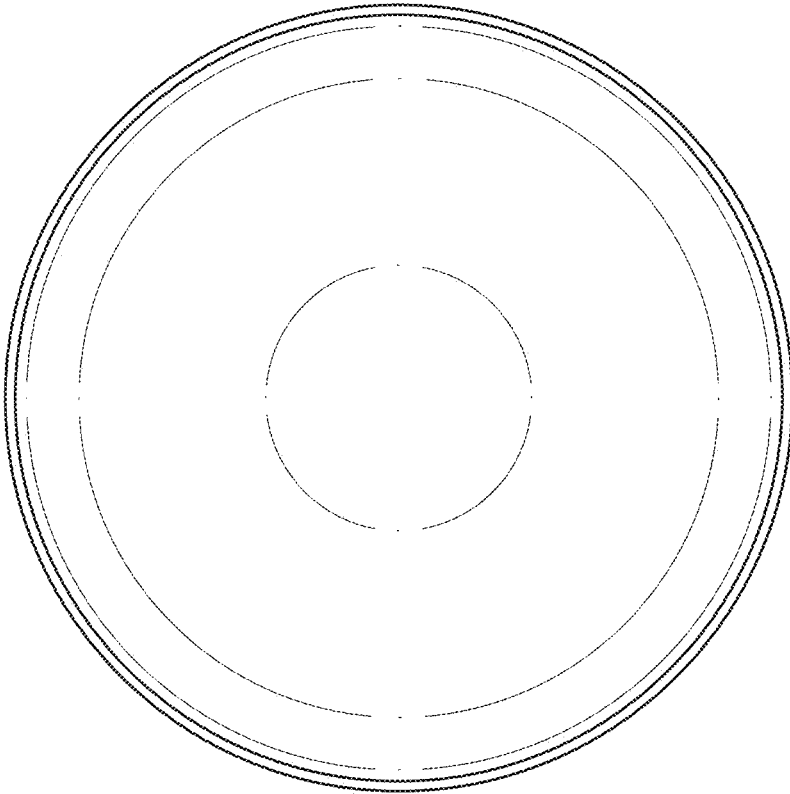
**FIG. 4**



**FIG. 5**



**FIG. 6**



**FIG. 7**