

(19) World Intellectual Property Organization
International Bureau



(43) International Publication Date
13 October 2005 (13.10.2005)

PCT

(10) International Publication Number
WO 2005/094172 A3

(51) International Patent Classification:

G08B 13/12 (2006.01) *G08B 1/08* (2006.01)
G08B 13/14 (2006.01) *E05B 15/08* (2006.01)
G08B 21/00 (2006.01) *E05B 67/06* (2006.01)
G08B 3/00 (2006.01)

(72) Inventors; and

(75) Inventors/Applicants (for US only): **AUERBACH, Micha** [IL/IL]; 52 Saifan Street, 71908 Maccabim (IL). **SHEKEL, Joseph** [IL/IL]; 6 Hadassah Street, 64515 Tel Aviv (IL). **ZELZION, Alon** [IL/IL]; 24 Hachya Street, 58403 Holon (IL). **GOLAN, Eli** [IL/IL]; 30 Kehilat-Bavel Street, 47322 Ramat Hasharon (IL). **EIZEN, Noach** [IL/IL]; 5 Hanita Street, 75282 Rishon le Zion (IL). **COHEN, Ronny** [IL/IL]; 7 Hadolev Street, 42823 Zoran (IL). **LEVY, Eli** [IL/IL]; 23 Eitan Street, 72905 Nir Zvi (IL).

(21) International Application Number:

PCT/IL2005/000357

(22) International Filing Date: 30 March 2005 (30.03.2005)

(25) Filing Language: English

(26) Publication Language: English

(30) Priority Data:

60/557,976 30 March 2004 (30.03.2004) US
60/562,750 15 April 2004 (15.04.2004) US
60/574,424 25 May 2004 (25.05.2004) US
60/624,263 2 November 2004 (02.11.2004) US

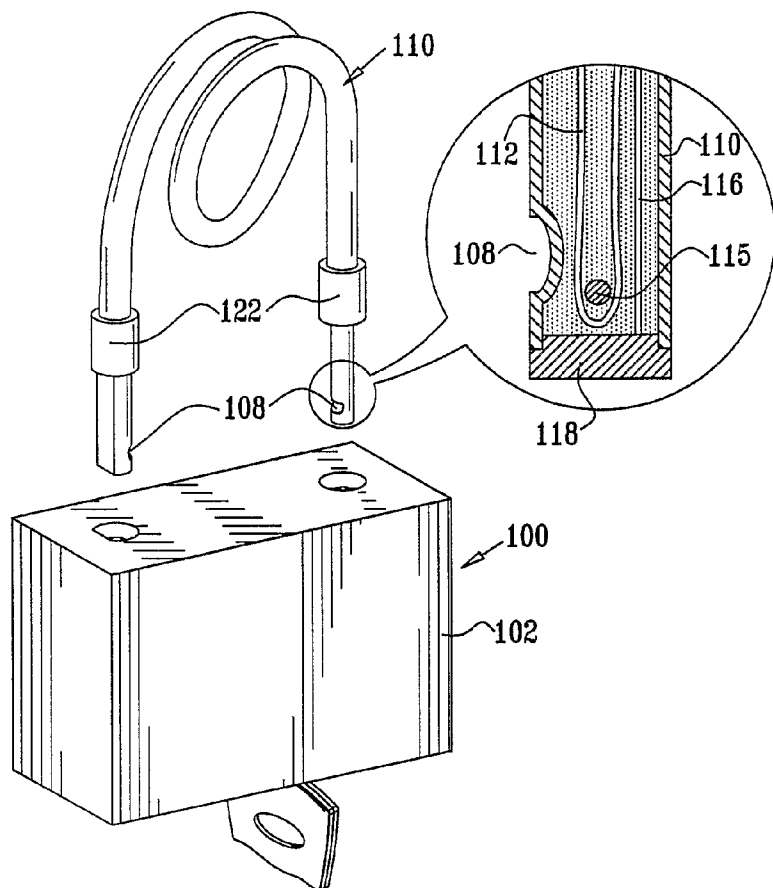
(74) Agents: **SANFORD T. COLB & CO.** et al.; P.O. Box 2273, 76122 Rehovot (IL).

(81) Designated States (unless otherwise indicated, for every kind of national protection available): AE, AG, AL, AM, AT, AU, AZ, BA, BB, BG, BR, BW, BY, BZ, CA, CH, CN, CO, CR, CU, CZ, DE, DK, DM, DZ, EC, EE, EG, ES, FI, GB, GD, GE, GH, GM, HR, HU, ID, IL, IN, IS, JP, KE, KG, KP, KR, KZ, LC, LK, LR, LS, LT, LU, LV, MA, MD, MG, MK, MN, MW, MX, MZ, NA, NI, NO, NZ, OM, PG, PH, PL, PT, RO, RU, SC, SD, SE, SG, SK, SL, SM, SY,

(71) Applicant (for all designated States except US): **HI-G-TEK INC.** [IL/US]; 5410 Edson Lane, Suite 320A,, North Bethesda, MD 20852, (US).

[Continued on next page]

(54) Title: MONITORABLE LOCKING ASSEMBLIES



(57) Abstract: A key-operated remotely monitorable locking assembly including a key-operated lock including a lock body including a key operated locking assembly and a tamper monitorable lockable assembly which is selectably locked to the lock body by operation of the mechanical key operated locking assembly and a wireless communication circuit located in a least one of the lock body and the lockable assembly for providing a remotely monitorable indication of tampering with the lockable assembly.

WO 2005/094172 A3



TJ, TM, TN, TR, TT, TZ, UA, UG, US, UZ, VC, VN, YU,
ZA, ZM, ZW.

(84) Designated States (*unless otherwise indicated, for every kind of regional protection available*): ARIPO (BW, GH, GM, KE, LS, MW, MZ, NA, SD, SL, SZ, TZ, UG, ZM, ZW), Eurasian (AM, AZ, BY, KG, KZ, MD, RU, TJ, TM), European (AT, BE, BG, CH, CY, CZ, DE, DK, EE, ES, FI, FR, GB, GR, HU, IE, IS, IT, LT, LU, MC, NL, PL, PT, RO, SE, SI, SK, TR), OAPI (BF, BJ, CF, CG, CI, CM, GA, GN, GQ, GW, ML, MR, NE, SN, TD, TG).

Published:

— *with international search report*

(88) Date of publication of the international search report:
24 May 2007

For two-letter codes and other abbreviations, refer to the "Guidance Notes on Codes and Abbreviations" appearing at the beginning of each regular issue of the PCT Gazette.

INTERNATIONAL SEARCH REPORT

International application No.

PCT/IL05/00357

A. CLASSIFICATION OF SUBJECT MATTER
 IPC: **G08B 13/12**(2006.01),**13/14**(2006.01),**21/00**(2006.01),**3/00**(2006.01),**1/08**(2006.01);**E05B 15/08**(2006.01),**67/06**(2006.01)

 USPC: 340/568.1,568.2,686.1,572.9,539.1,691.1;70/38A,38B
 According to International Patent Classification (IPC) or to both national classification and IPC

B. FIELDS SEARCHED
 Minimum documentation searched (classification system followed by classification symbols)
 U.S. : 340/568.1, 568.2, 686.1, 572.9, 539.1, 691.1; 70/38A, 38B

Documentation searched other than minimum documentation to the extent that such documents are included in the fields searched

Electronic data base consulted during the international search (name of data base and, where practicable, search terms used)

C. DOCUMENTS CONSIDERED TO BE RELEVANT

Category *	Citation of document, with indication, where appropriate, of the relevant passages	Relevant to claim No.
X --- Y	US 5,587,702 A (CHADFIELD) 24 Dec. 1996 (24.12.1996), see Figs. 1 & 6-9 and corresponding disclosure.	1-7, 11/(1-7), 12/(1-7) and 14/(1-7, 11/(1-7), 12/(1-7)) ----- 8-10, 11/(8-10), 12/(8-10), 13, 14/(8-13) and 15-42
Y	US 5,392,025 A (FIGH et al.) 21 Feb. 1995 (21.02.1995), see Figs. 2-3, 6-7 & 17 and corresponding disclosure.	13, 30-37 and 39-42
Y	US 5,410,301 A (DAWSON et al.) 25 Apr. 1995 (25.04.1995), see Fig. 1 and corresponding disclosure.	8-9, 24-25 and 38
Y	US5,831,531 A (TUTTLE) 03 Nov. 1998 (03.11.1998), see Figs. 7, 7A-7B and corresponding disclosure.	10 and 26

Further documents are listed in the continuation of Box C. See patent family annex.

* Special categories of cited documents:	"T"	later document published after the international filing date or priority date and not in conflict with the application but cited to understand the principle or theory underlying the invention
"A" document defining the general state of the art which is not considered to be of particular relevance	"X"	document of particular relevance; the claimed invention cannot be considered novel or cannot be considered to involve an inventive step when the document is taken alone
"E" earlier application or patent published on or after the international filing date	"Y"	document of particular relevance; the claimed invention cannot be considered to involve an inventive step when the document is combined with one or more other such documents, such combination being obvious to a person skilled in the art
"L" document which may throw doubts on priority claim(s) or which is cited to establish the publication date of another citation or other special reason (as specified)	"&"	document member of the same patent family
"O" document referring to an oral disclosure, use, exhibition or other means		
"P" document published prior to the international filing date but later than the priority date claimed		

Date of the actual completion of the international search
 13 January 2007 (13.01.2007)

Date of mailing of the international search report
 23 FEB 2007

Name and mailing address of the ISA/US
 Mail Stop PCT, Attn: ISA/US
 Commissioner for Patents
 P.O. Box 1450
 Alexandria, Virginia 22313-1450
 Facsimile No. (571) 273-3201

Authorized officer
 Benjamin C. Lee
 Telephone No. (703) 305-8576

INTERNATIONAL SEARCH REPORT

International application No.
PCT/IL05/00357

C. (Continuation) DOCUMENTS CONSIDERED TO BE RELEVANT		
Category *	Citation of document, with indication, where appropriate, of the relevant passages	Relevant to claim No.
Y	US 5,570,080 A (INOUE et al.) 29 Oct. 1996 (29.10.1996), see Figs. 7-8 and corresponding disclosure.	15-23
Y	US 6,646,555 A (FORSTER et al.) 11 Nov. 2003 (11.11.2003), see col. 13, lines 30-63).	27 and 29
Y	US 6,744,366 B2 (HOW) 01 Jun. 2004 (01.06.2004), see Figs. 1-3 and corresponding disclosure.	28
Y	US 4,782,784 A (LITTLE) 08 Nov. 1988 (08.11.1988), see Figs. 4, 5 and 7 and corresponding disclosure.	43-45
Y	US 6,023,218 A (TREMBLAY) 08 Feb. 2000 (08.02.2003), see Figs. 2 & 4-5 and corresponding disclosure.	43-45