

(19) World Intellectual Property Organization
International Bureau



(43) International Publication Date
13 September 2007 (13.09.2007)

PCT

(10) International Publication Number
WO 2007/103641 A3

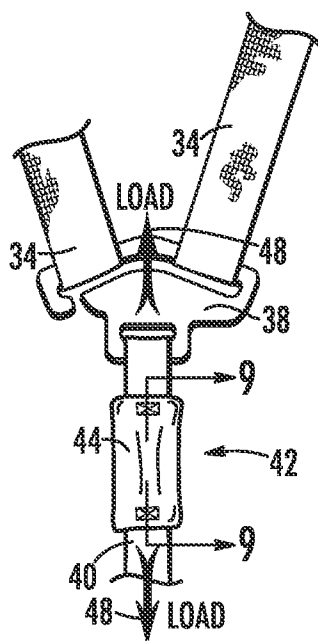
- (51) International Patent Classification:
B60N 2/42 (2006.01)
- (21) International Application Number:
PCT/US2007/062643
- (22) International Filing Date:
23 February 2007 (23.02.2007)
- (25) Filing Language: English
- (26) Publication Language: English
- (30) Priority Data:
60/743,447 9 March 2006 (09.03.2006) US
11/677,743 22 February 2007 (22.02.2007) US
- (71) Applicant (for all designated States except US): **SKJP HOLDINGS, LLC** [US/US]; 7117 Pelican Bay Blvd., Apt. 804, Naples, FL 34108 (US).
- (72) Inventors: **CLEMENT, David**; 5306 Miranda Road, Colorado Springs, CO 80918 (US). **BERGER, Russell**; 147 Tower Avenue, Needham, MA 02494 (US).
- (74) Agents: **TETREAUULT, Mark, E.** et al.; Barlow, Josephs & Holmes, Ltd., 101 Dyer Street, 5th Floor, Providence, RI 02903 (US).

- (81) Designated States (unless otherwise indicated, for every kind of national protection available): AE, AG, AL, AM, AT, AU, AZ, BA, BB, BG, BR, BW, BY, BZ, CA, CH, CN, CO, CR, CU, CZ, DE, DK, DM, DZ, EC, EE, EG, ES, FI, GB, GD, GE, GH, GM, GT, HN, HR, HU, ID, IL, IN, IS, JP, KE, KG, KM, KN, KP, KR, KZ, LA, LC, LK, LR, LS, LT, LU, LV, LY, MA, MD, MG, MK, MN, MW, MX, MY, MZ, NA, NG, NI, NO, NZ, OM, PG, PH, PL, PT, RO, RS, RU, SC, SD, SE, SG, SK, SL, SM, SV, SY, TJ, TM, TN, TR, TT, TZ, UA, UG, US, UZ, VC, VN, ZA, ZM, ZW.
- (84) Designated States (unless otherwise indicated, for every kind of regional protection available): ARIPO (BW, GH, GM, KE, LS, MW, MZ, NA, SD, SL, SZ, TZ, UG, ZM, ZW), Eurasian (AM, AZ, BY, KG, KZ, MD, RU, TJ, TM), European (AT, BE, BG, CH, CY, CZ, DE, DK, EE, ES, FI, FR, GB, GR, HU, IE, IS, IT, LT, LU, LV, MC, NL, PL, PT, RO, SE, SI, SK, TR), OAPI (BF, BJ, CF, CG, CI, CM, GA, GN, GQ, GW, ML, MR, NE, SN, TD, TG).

Published:
— with international search report

(88) Date of publication of the international search report:
2 April 2009

(54) Title: CHILD RESTRAINT DEVICE WITH ENERGY ABSORBING REGIONS



(57) Abstract: Energy absorbing webbing (42) is provided for use in child safety seat (30) and child restraint devices. A harness system includes energy-absorbing regions (42) into the construction of the harness to allow some release or extension of the harness during use. The energy-absorbing regions (42) of the harness are formed using energy-absorbing webbing in a given region or regions to permit the webbing to extend or elongate so that strong forces are not fully and directly imparted to the child. The energy-absorbing region (42) may be installed at various positions within the child safety seat (30) and harness system and may be incorporated into the child safety harness as original equipment or as a retrofit feature.

WO 2007/103641 A3

INTERNATIONAL SEARCH REPORT

International application No.

PCT/US07/62643

A. CLASSIFICATION OF SUBJECT MATTER
 IPC: **B60N 2/42(2006.01)**

USPC: 297/216.11,484
 According to International Patent Classification (IPC) or to both national classification and IPC

B. FIELDS SEARCHED

Minimum documentation searched (classification system followed by classification symbols)
 U.S. : 297/216.11, 484

Documentation searched other than minimum documentation to the extent that such documents are included in the fields searched


Electronic data base consulted during the international search (name of data base and, where practicable, search terms used)
 EAST text databases, EPO,JPO,Derwent,etc

C. DOCUMENTS CONSIDERED TO BE RELEVANT

Category *	Citation of document, with indication, where appropriate, of the relevant passages	Relevant to claim No.
X --- Y	US 2005/0189169 A1(TANAKA et al.) 01, September 2005 (01.09.2005), see entire document.	1-5,19-21,23-34 ----- 1-3,6-7,10-12,14-18
Y	US 6,471,298 A (CARINE et al) 29 October 2002 (29.10.2002), see Figs. 3-4.	1-3,6-7,10-12
Y ,P	US 2006/0103229 A1 (FRANSEN et al) 18 May 2006 (18.05.2006) see Figs.3-4 and 10A-10B.	1-3,6-7,14-18
Y	US 6,457,774 A (BALOGA) 01 October 2002 (01.10.2002), see Fig.1.	1-3,6-7,14-18

Further documents are listed in the continuation of Box C. See patent family annex.

* Special categories of cited documents:	
"A" document defining the general state of the art which is not considered to be of particular relevance	"T" later document published after the international filing date or priority date and not in conflict with the application but cited to understand the principle or theory underlying the invention
"E" earlier application or patent published on or after the international filing date	"X" document of particular relevance; the claimed invention cannot be considered novel or cannot be considered to involve an inventive step when the document is taken alone
"L" document which may throw doubts on priority claim(s) or which is cited to establish the publication date of another citation or other special reason (as specified)	"Y" document of particular relevance; the claimed invention cannot be considered to involve an inventive step when the document is combined with one or more other such documents, such combination being obvious to a person skilled in the art
"O" document referring to an oral disclosure, use, exhibition or other means	"&" document member of the same patent family
"P" document published prior to the international filing date but later than the priority date claimed	

Date of the actual completion of the international search 01 August 2008 (01.08.2008)	Date of mailing of the international search report 05 SEP 2008
Name and mailing address of the ISA/US Mail Stop PCT, Attn: ISA/US Commissioner for Patents P.O. Box 1450 Alexandria, Virginia 22313-1450 Facsimile No. (571) 273-3201	Authorized officer  for /Anthony Barfield/ Telephone No. 571-272-6852