



US00D855155S

(12) **United States Design Patent**
Stuart

(10) **Patent No.:** **US D855,155 S**

(45) **Date of Patent:** **** Jul. 30, 2019**

(54) **FAUCET**

(71) Applicant: **DELTA FAUCET COMPANY,**
Indianapolis, IN (US)

(72) Inventor: **Christopher Stuart,** Noblesville, IN
(US)

(73) Assignee: **DELTA FAUCET COMPANY,**
Indianapolis, IN (US)

(**) Term: **15 Years**

(21) Appl. No.: **29/628,435**

(22) Filed: **Dec. 5, 2017**

(51) **LOC (11) Cl.** **23-01**

(52) **U.S. Cl.**
USPC **D23/238**

(58) **Field of Classification Search**
USPC D23/238-243, 249-250, 252, 254-255,
D23/257, 213, 245
CPC Y10T 137/9464; Y10T 137/6064; E03C
1/04; E03C 1/0404; E03C 1/0405; E03C
1/0411; E03C 1/0412; E03C 1/0409;
E03C 1/042; E03C 2001/0414
See application file for complete search history.

(56) **References Cited**

U.S. PATENT DOCUMENTS

D589,594 S * 3/2009 Lammel D23/238
D605,260 S * 12/2009 Allard D23/255

D708,713 S * 7/2014 Yu D23/238
D709,166 S * 7/2014 Yu D23/238
D804,615 S * 12/2017 Seum D23/238
D816,804 S * 5/2018 Chong D23/238

* cited by examiner

Primary Examiner — Robert A Delehanty

(74) *Attorney, Agent, or Firm* — Edgar A. Zarins; Nirav
D. Parikh

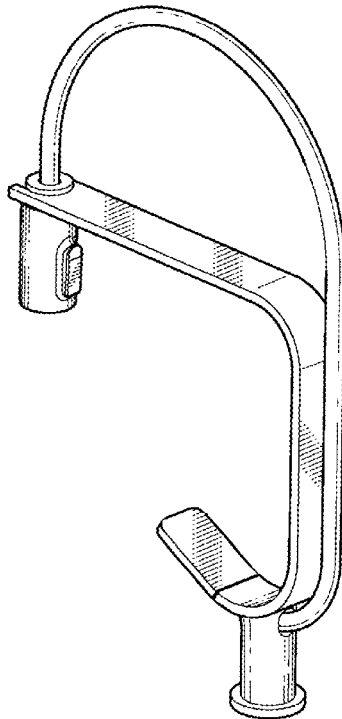
(57) **CLAIM**

The ornamental design for a faucet, as shown and described.

DESCRIPTION

FIG. 1 is a rear perspective view of a faucet showing my new design;
FIG. 2 is a top plan view thereof;
FIG. 3 is a bottom view thereof;
FIG. 4 is a front elevational view thereof;
FIG. 5 is a left side view thereof, the opposite side being a mirror image of the side shown; and,
FIG. 6 is a rear view thereof.
The broken-line disclosure in the view represents a portion of the faucet in which the claimed design is embodied, but which forms no part of the claimed design.

1 Claim, 2 Drawing Sheets



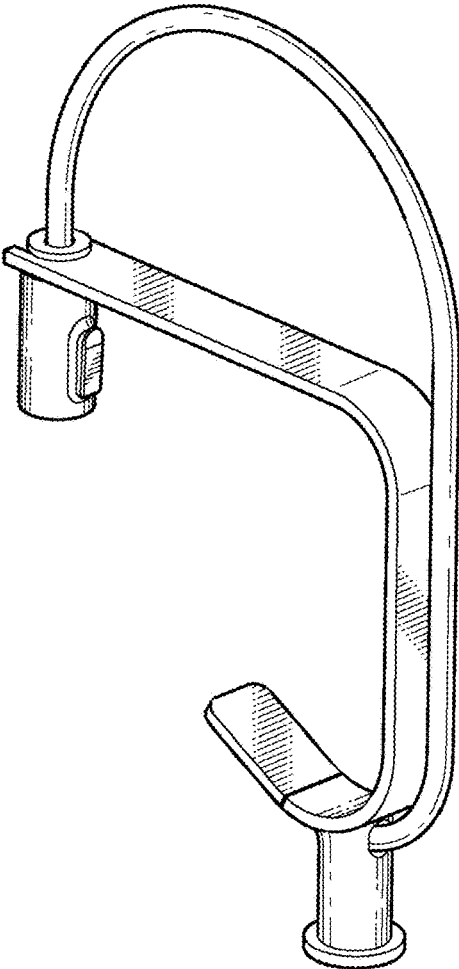


Fig-1

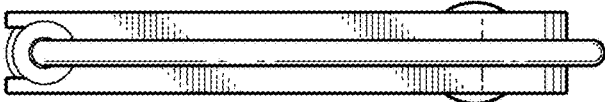


Fig-2

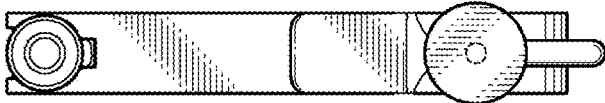


Fig-3

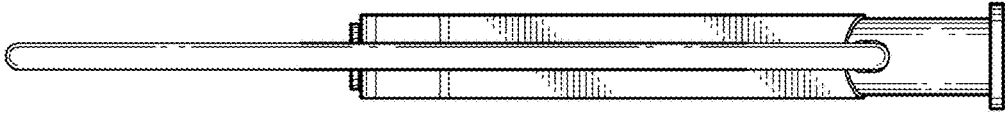


Fig-6

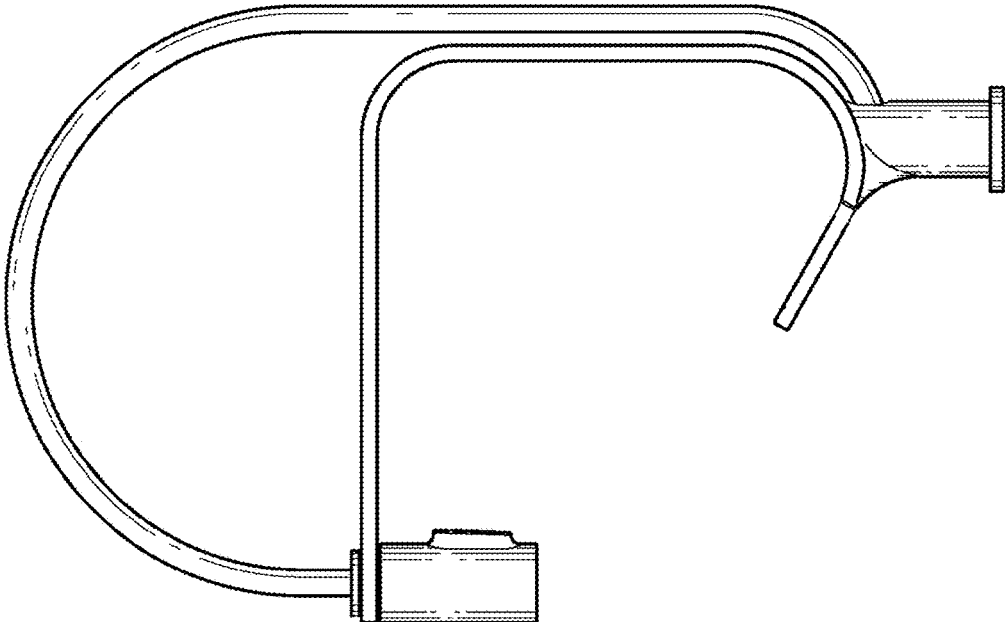


Fig-5

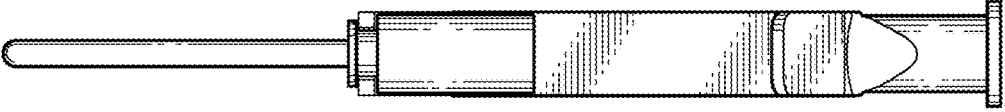


Fig-4