



US00D895146S

(12) **United States Design Patent** (10) **Patent No.:** **US D895,146 S**
Osmus et al. (45) **Date of Patent:** **** Sep. 1, 2020**

(54) **REAGENT CARTRIDGE**
(71) Applicant: **Illumina, Inc.**, San Diego, CA (US)
(72) Inventors: **James Osmus**, San Diego, CA (US);
Erik Allegoren, San Diego, CA (US);
James Blake, San Diego, CA (US);
Philip Paik, San Diego, CA (US); **Jay Taylor**, San Diego, CA (US); **Jack Godfrey-Wood**, San Diego, CA (US)

D825,078 S * 8/2018 Osmus D24/232
D840,050 S * 2/2019 Schulz D24/224
D851,275 S * 6/2019 Spuhler D24/225
10,343,160 B2 * 7/2019 Lemoine G01N 21/01
D875,271 S * 2/2020 Ringold D24/224
D877,356 S * 3/2020 Clive-Smith D24/224
2017/0016060 A1 * 1/2017 Sabounchi C12Q 1/6806
2017/0209865 A1 * 7/2017 Carrano B01L 3/502
2018/0117587 A1 * 5/2018 Lemoine B01L 3/502715

* cited by examiner

Primary Examiner — Anhdao Doan

(74) *Attorney, Agent, or Firm* — Heslin Rothenberg Farley & Mesiti, P.C.

(73) Assignee: **Illumina, Inc.**, San Diego, CA (US)

(**) Term: **15 Years**

(21) Appl. No.: **29/714,706**

(22) Filed: **Nov. 25, 2019**

(51) **LOC (12) Cl.** **24-01**

(52) **U.S. Cl.**
USPC **D24/232**

(58) **Field of Classification Search**
USPC D24/107, 186, 216, 219, 220, 221,
D24/223–227, 231, 232; D10/81
CPC B01L 3/5027; B01L 3/50273; B01L
3/502738; B01L 2300/0609; B01L
2300/0672; B01L 2300/0829; B01L
2200/025; B01L 2200/026; B01L
2200/028; B01L 2200/16; G01N 21/01;
G01N 21/75

See application file for complete search history.

(56) **References Cited**

U.S. PATENT DOCUMENTS

D333,630 S * 3/1993 Marks D10/81
D351,913 S * 10/1994 Hieb D24/223
D639,975 S * 6/2011 Doyle D24/225
D800,336 S * 10/2017 Chang D24/224
D800,912 S * 10/2017 Uzri D24/216
D819,829 S * 6/2018 Osmus D24/232

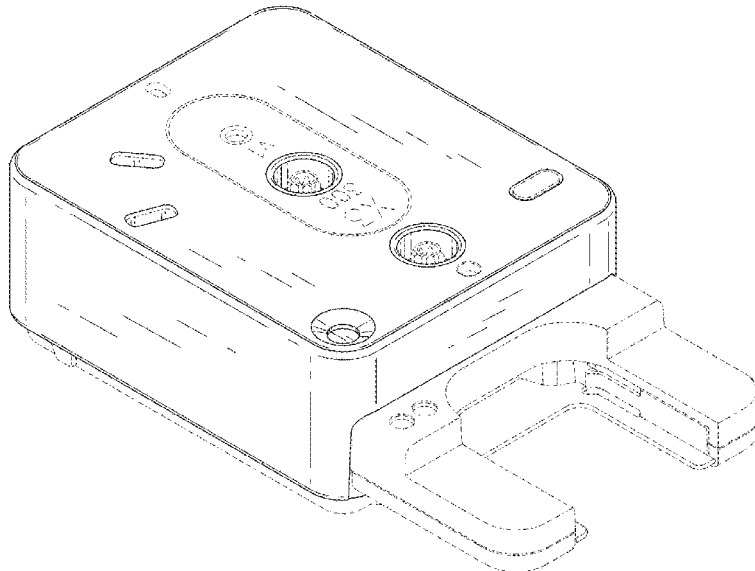
(57) **CLAIM**

We claim the ornamental design for a reagent cartridge, as shown and described.

DESCRIPTION

FIG. 1 is a top, right and front perspective view of a reagent cartridge showing a first embodiment of our new design; FIG. 2 is a top, left and front perspective view thereof; FIG. 3 is a top plan view thereof; FIG. 4 is a bottom plan view thereof; FIG. 5 is a left side elevational view thereof; FIG. 6 is a right side elevational view thereof; FIG. 7 is a rear elevational view thereof; FIG. 8 is an enlarged front elevational view thereof; FIG. 9 is a top, right and front perspective view of a reagent cartridge showing a second embodiment of our new design; FIG. 10 is a top, left and front perspective view thereof; FIG. 11 is a top plan view thereof; FIG. 12 is a bottom plan view thereof; FIG. 13 is a rear elevational view thereof; FIG. 14 is a top, right and front perspective view of a reagent cartridge showing a third embodiment of our new design; FIG. 15 is a top, left and front perspective view thereof; and, FIG. 16 is a top plan view thereof.

1 Claim, 15 Drawing Sheets



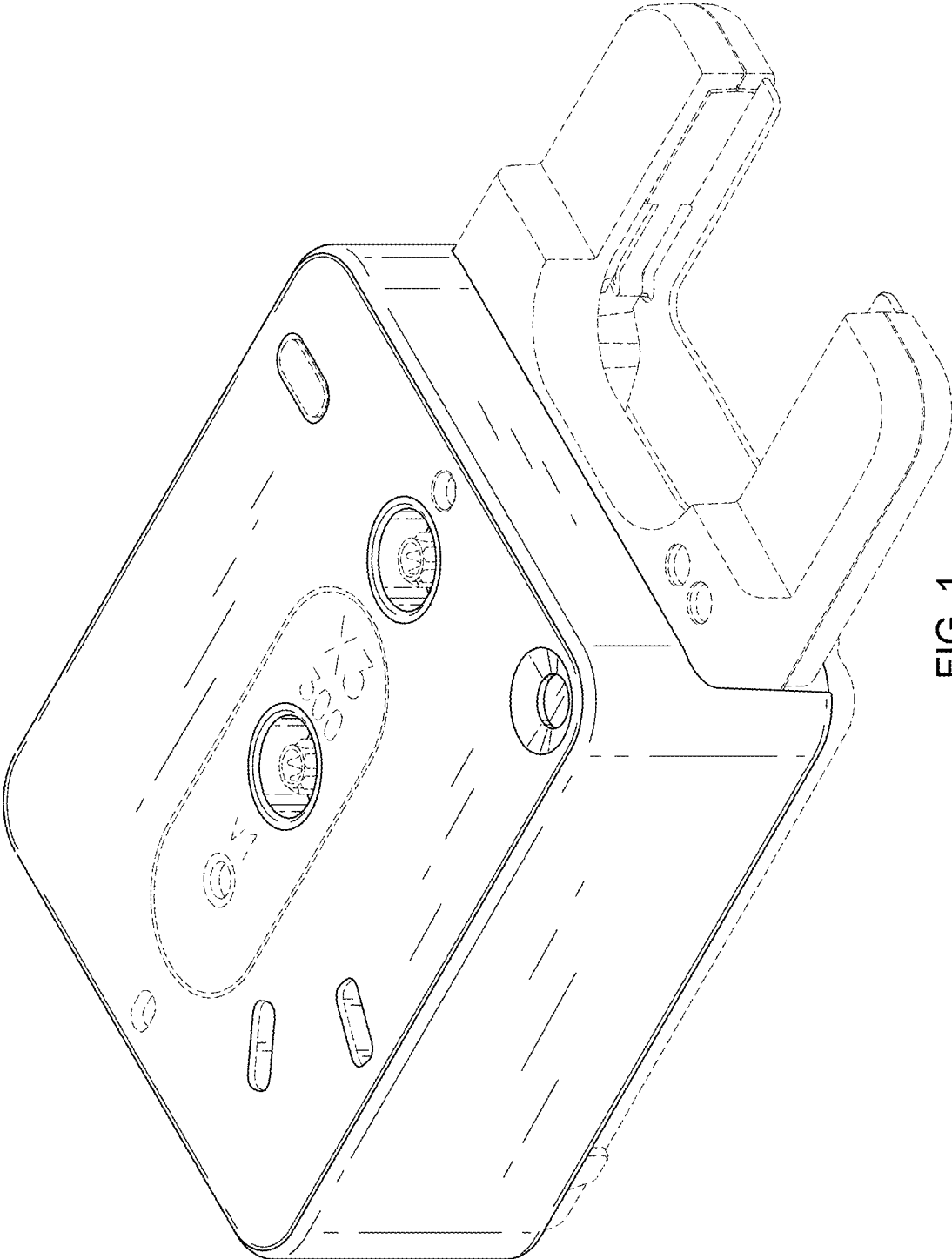
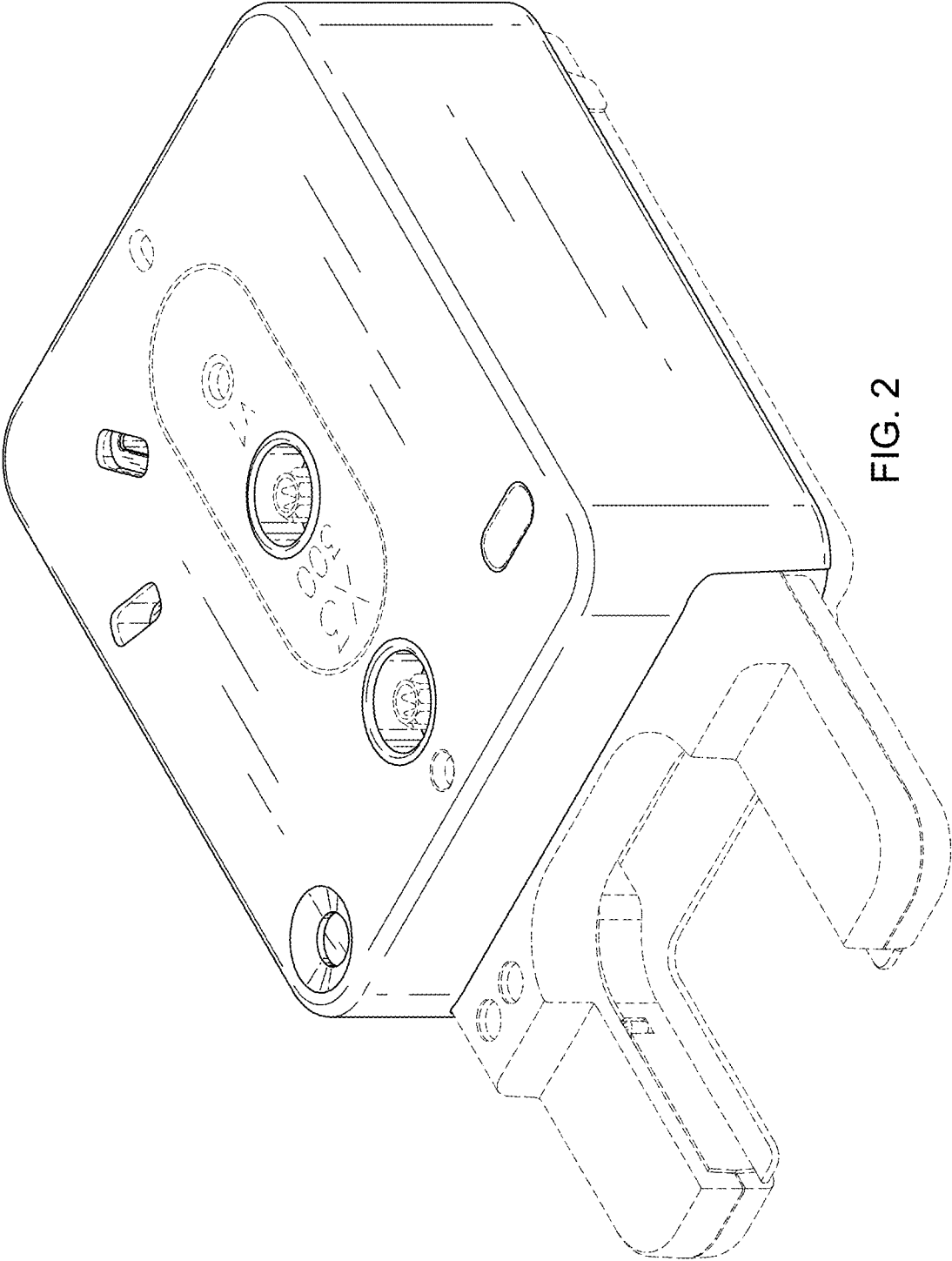


FIG. 1



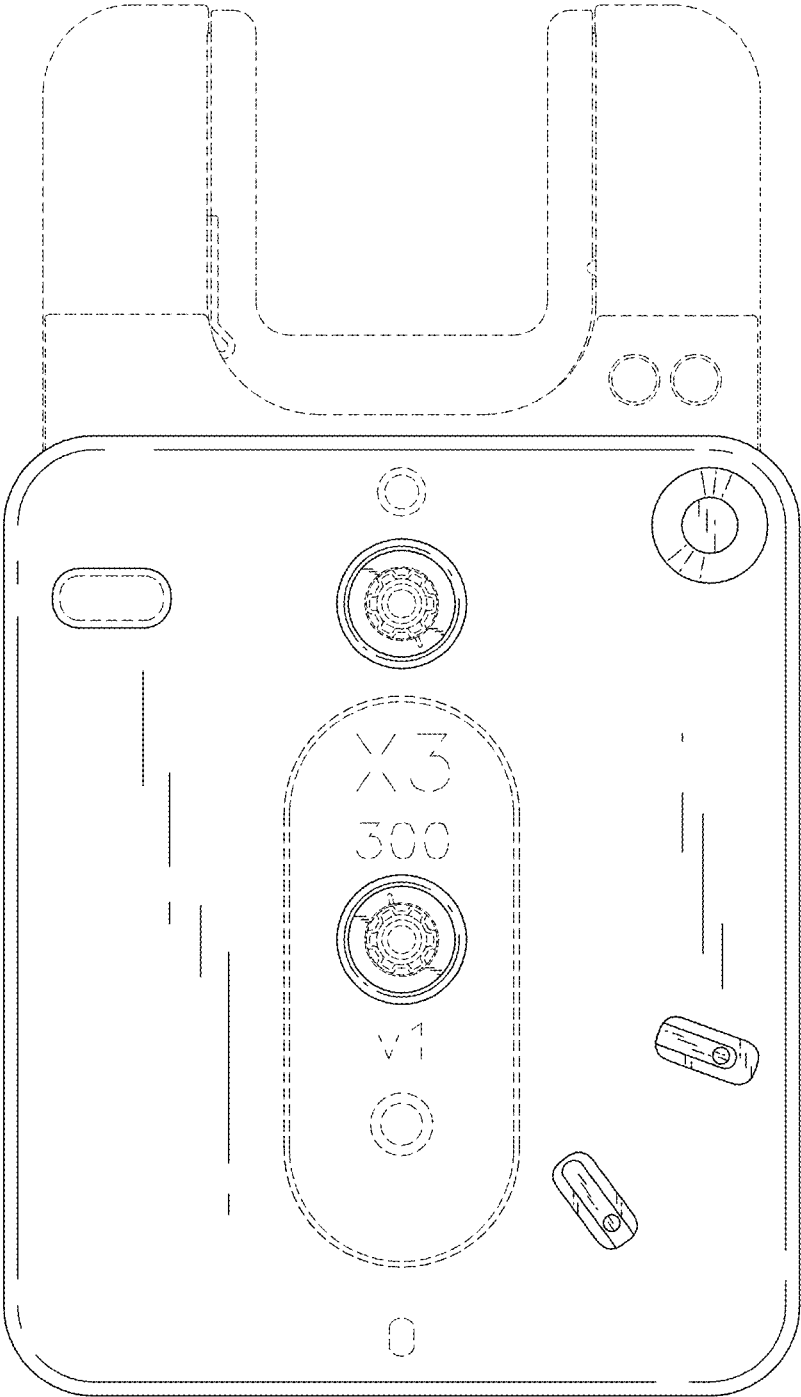


FIG. 3

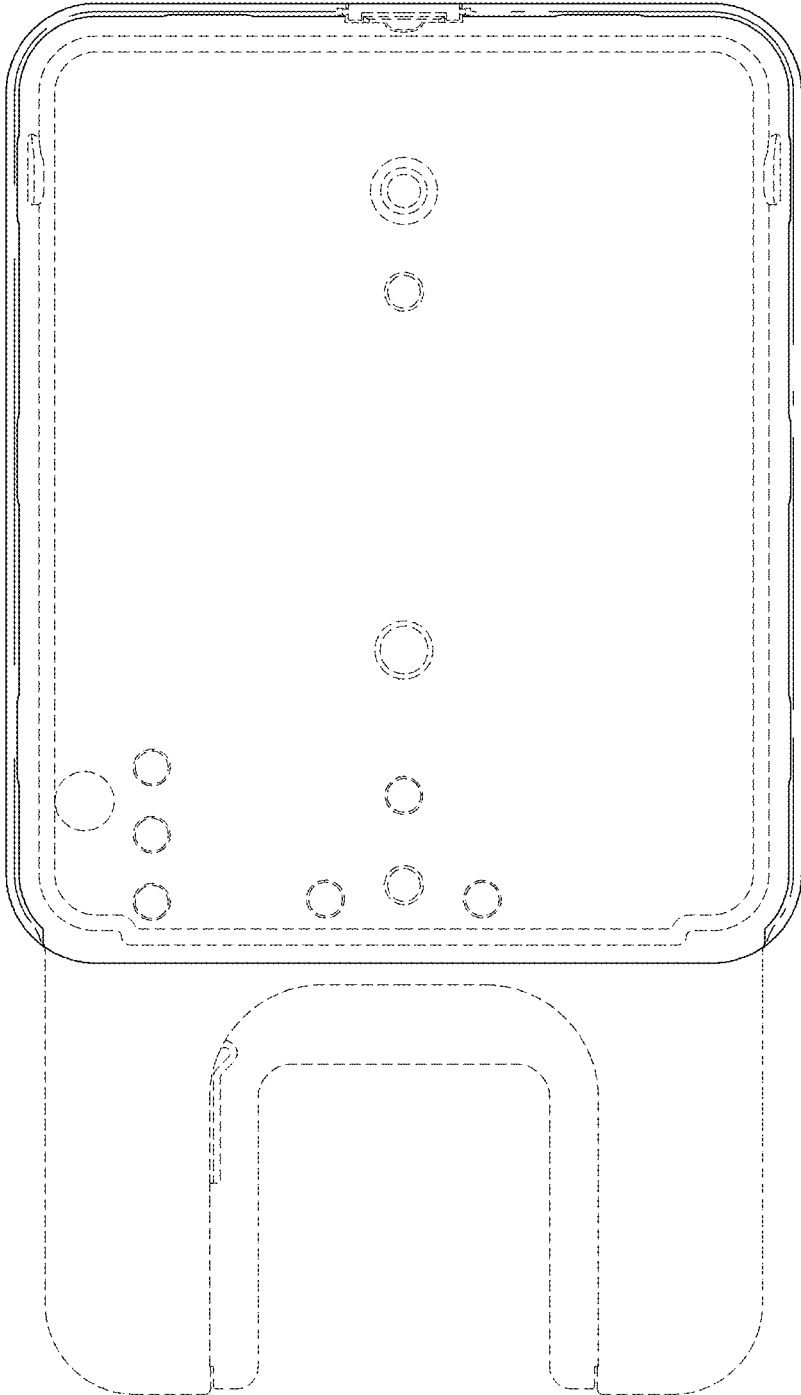


FIG. 4

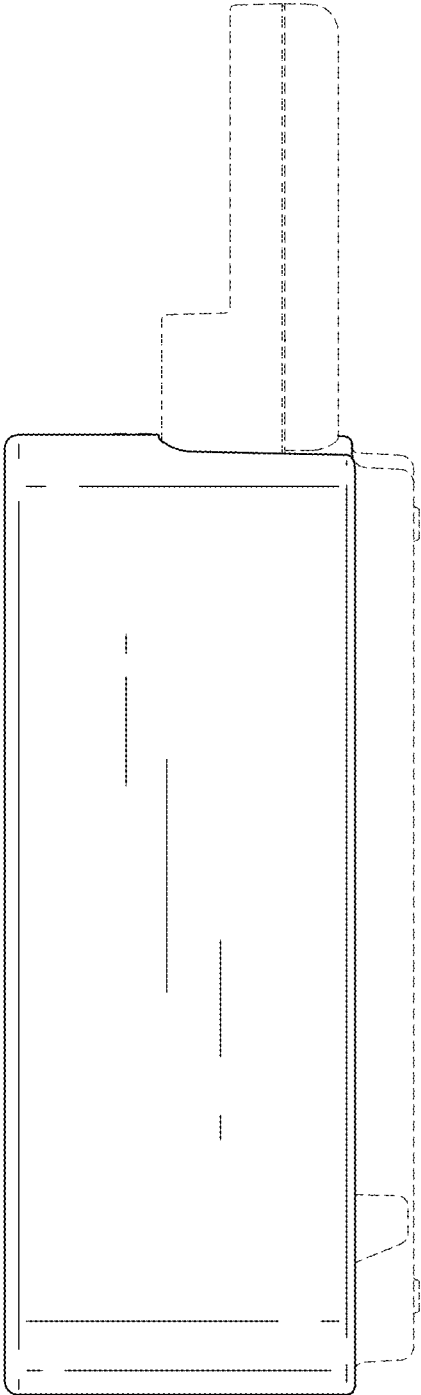


FIG. 5

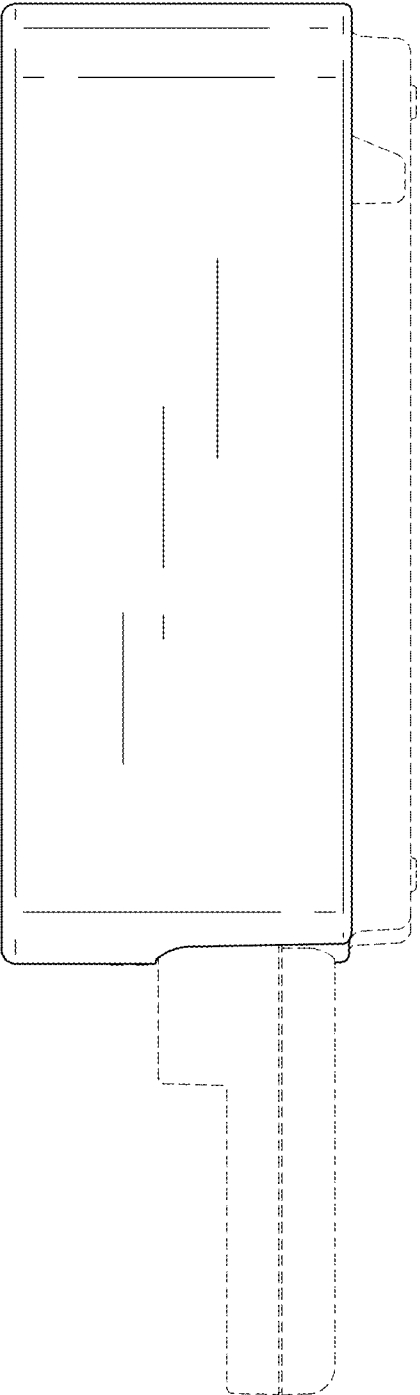


FIG. 6

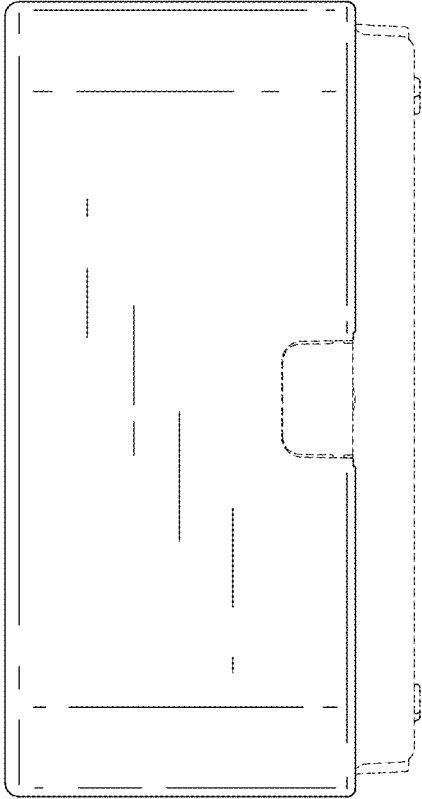


FIG. 7

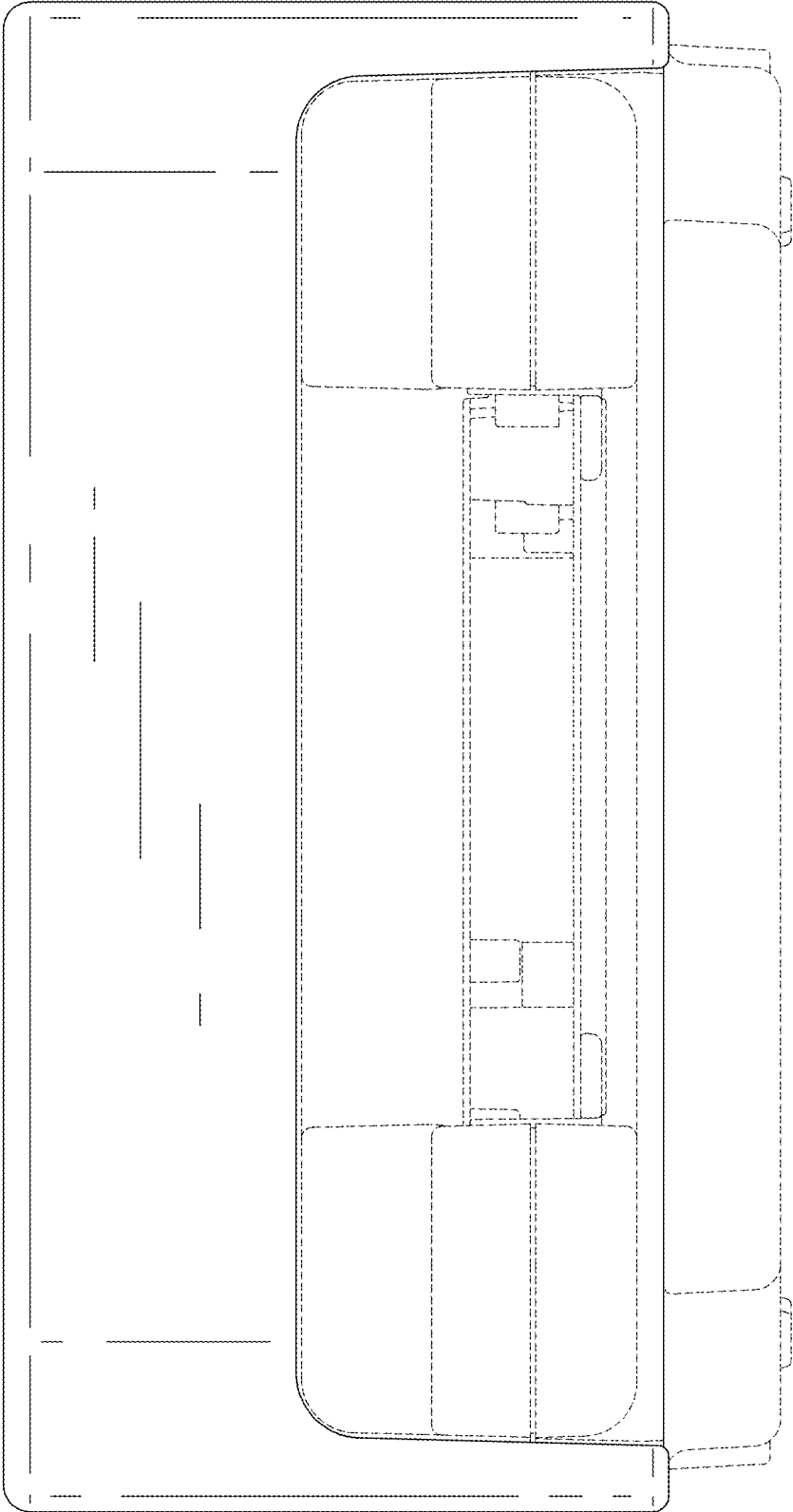


FIG. 8

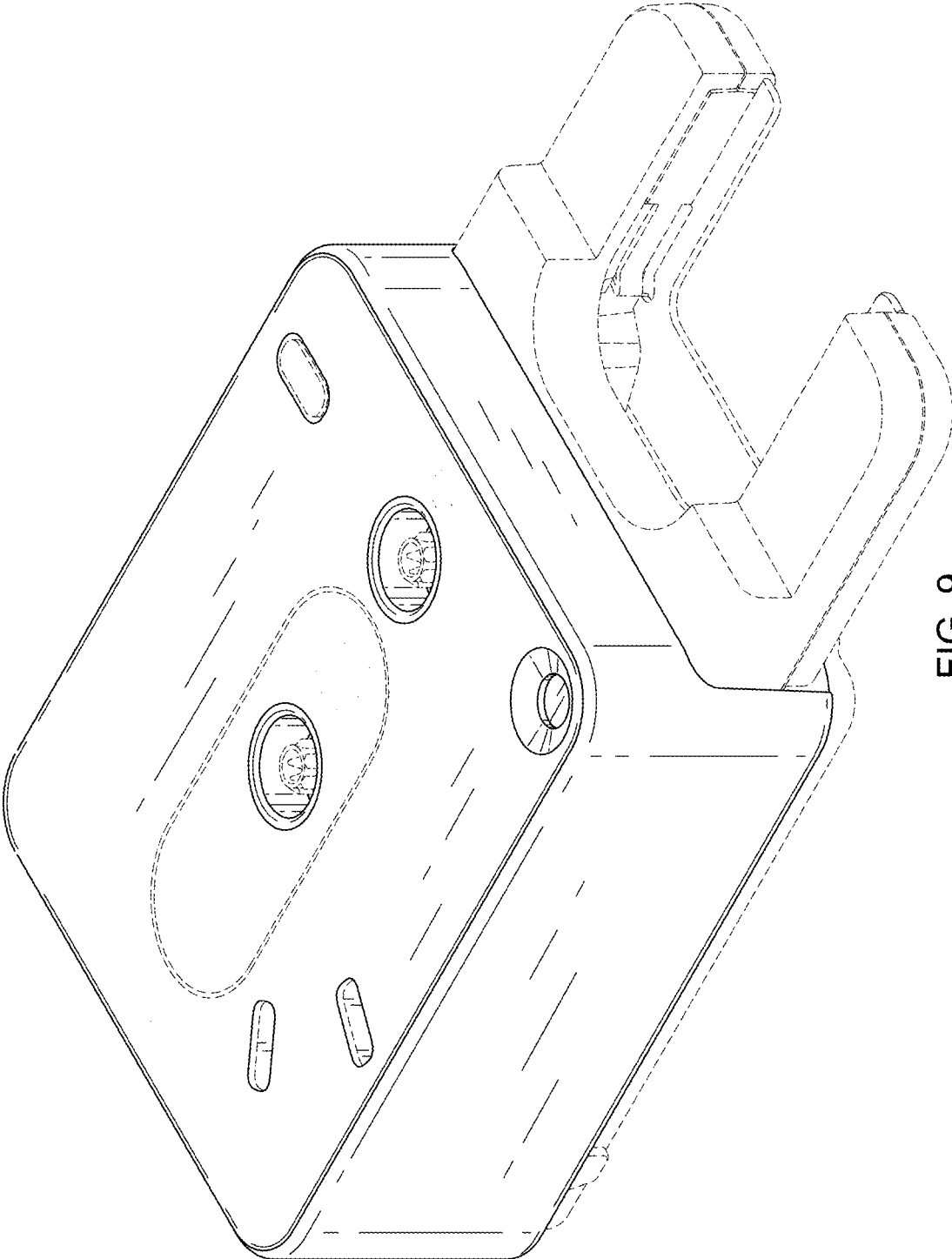


FIG. 9

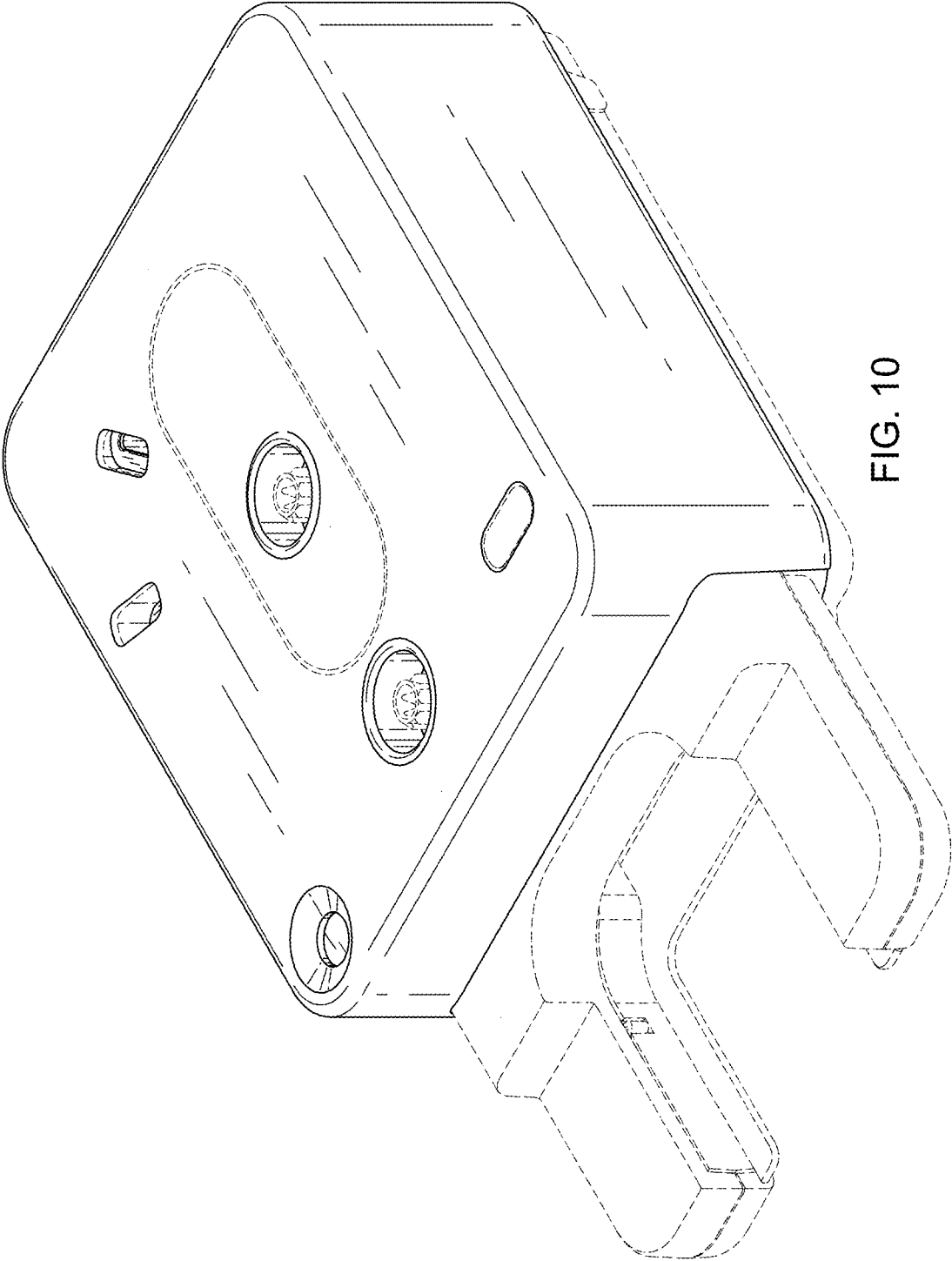


FIG. 10

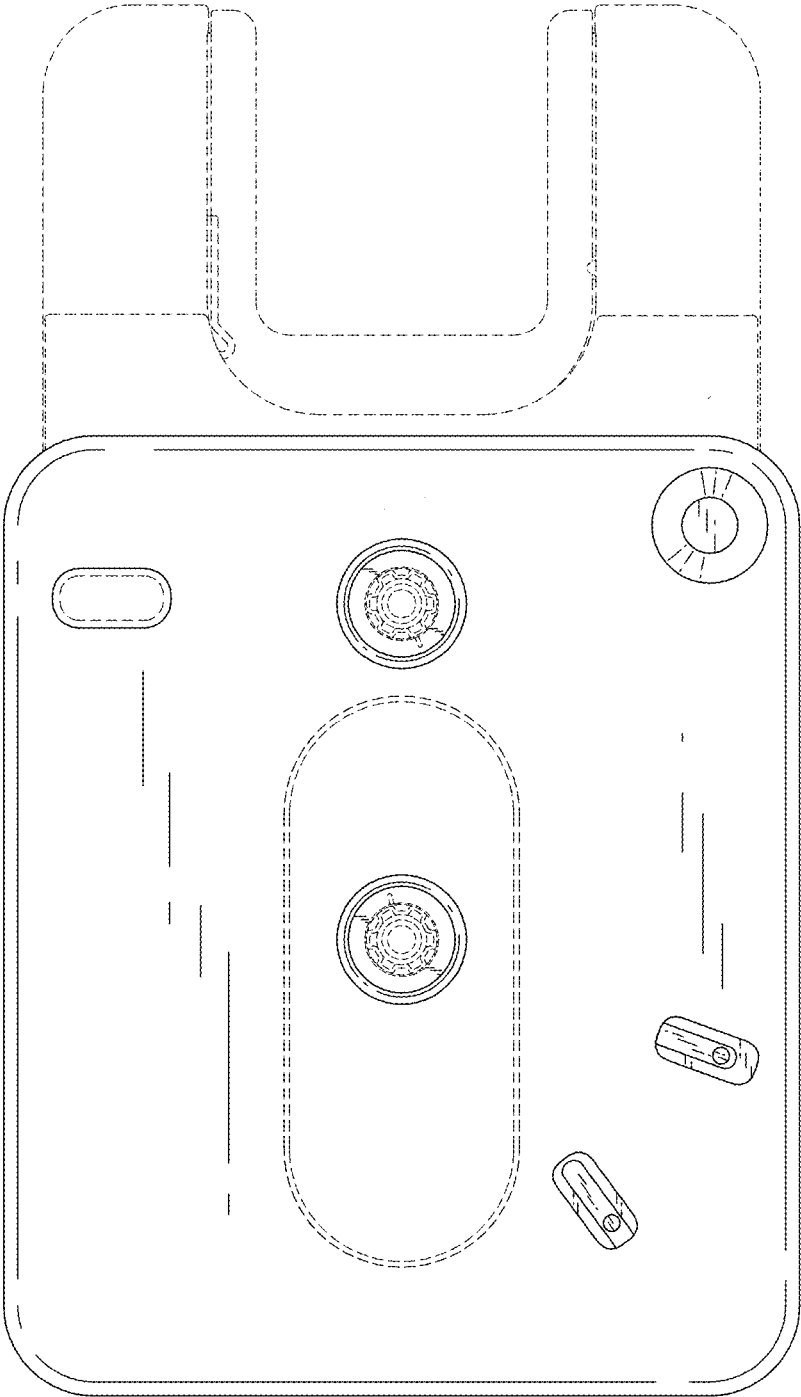


FIG. 11

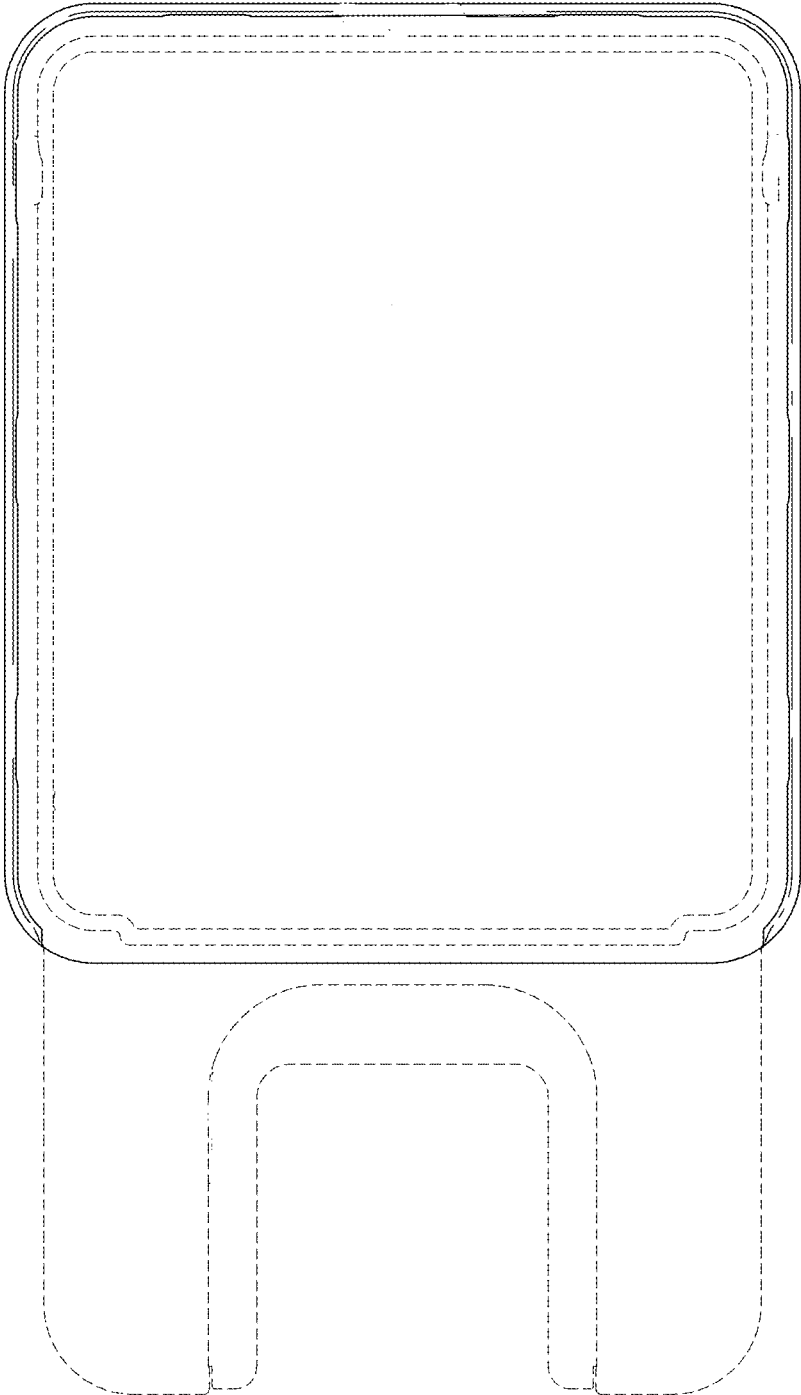


FIG. 12

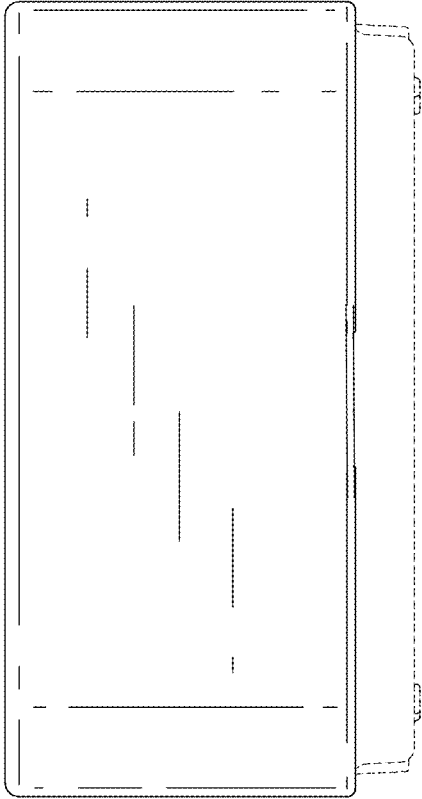


FIG. 13

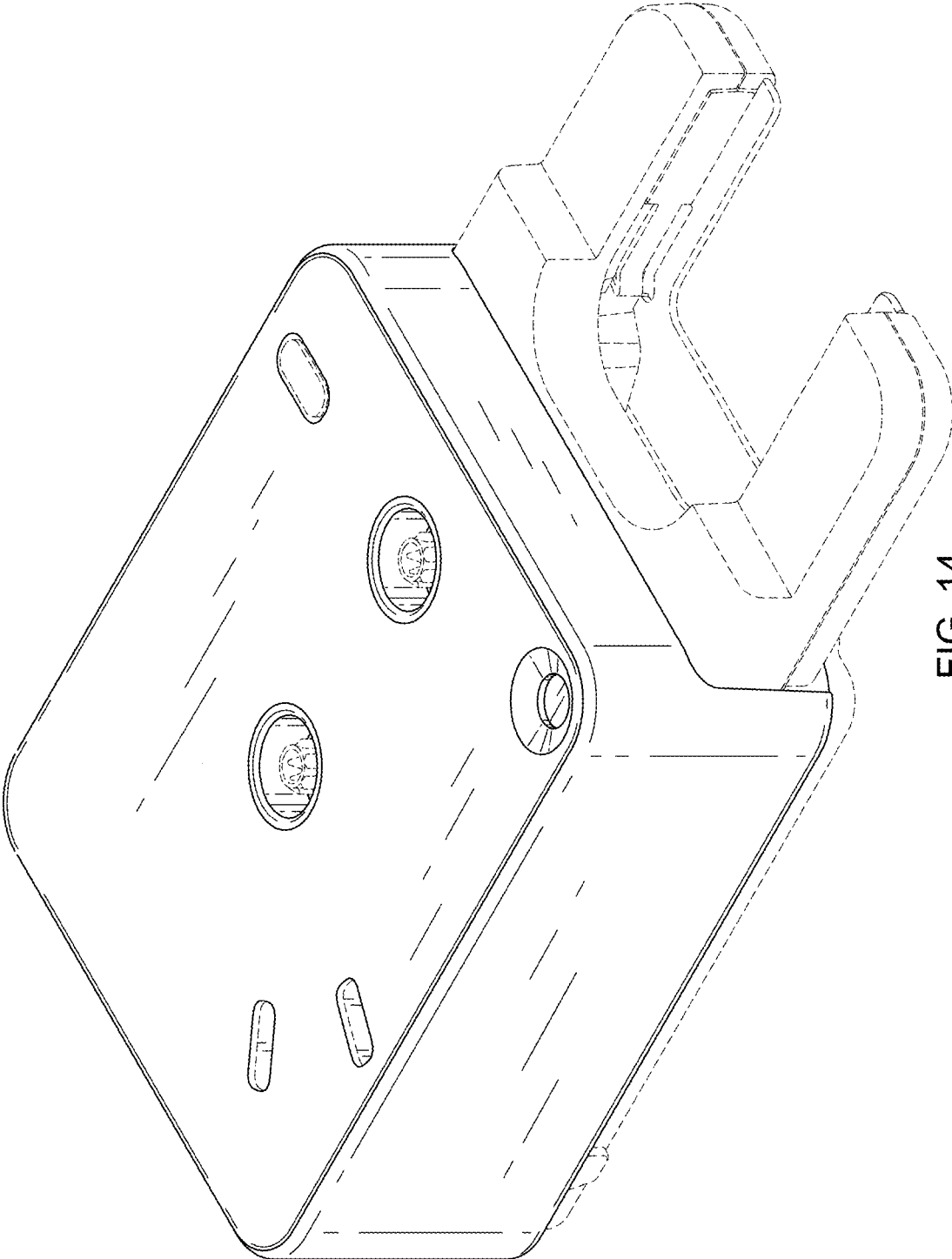


FIG. 14

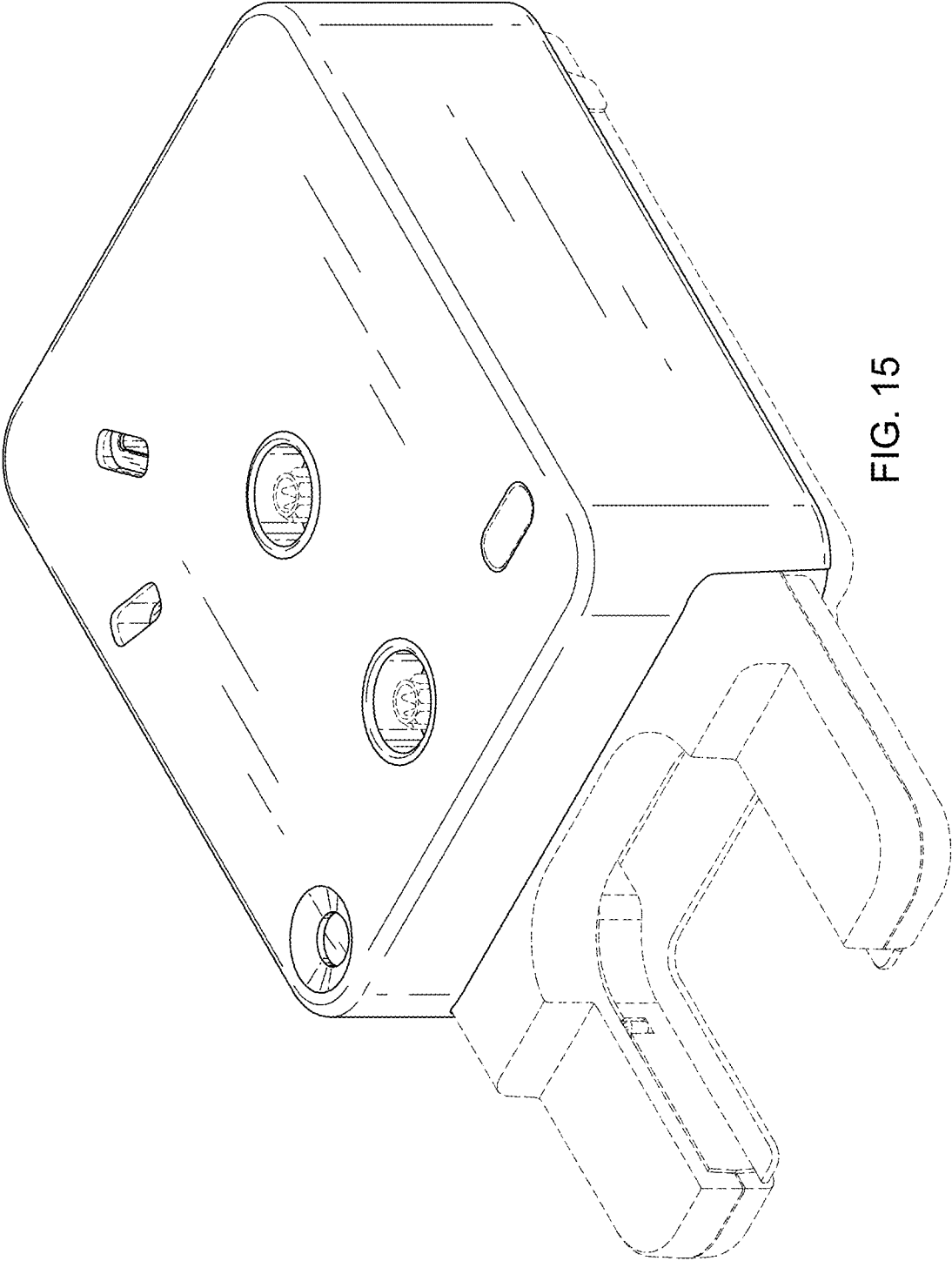


FIG. 15

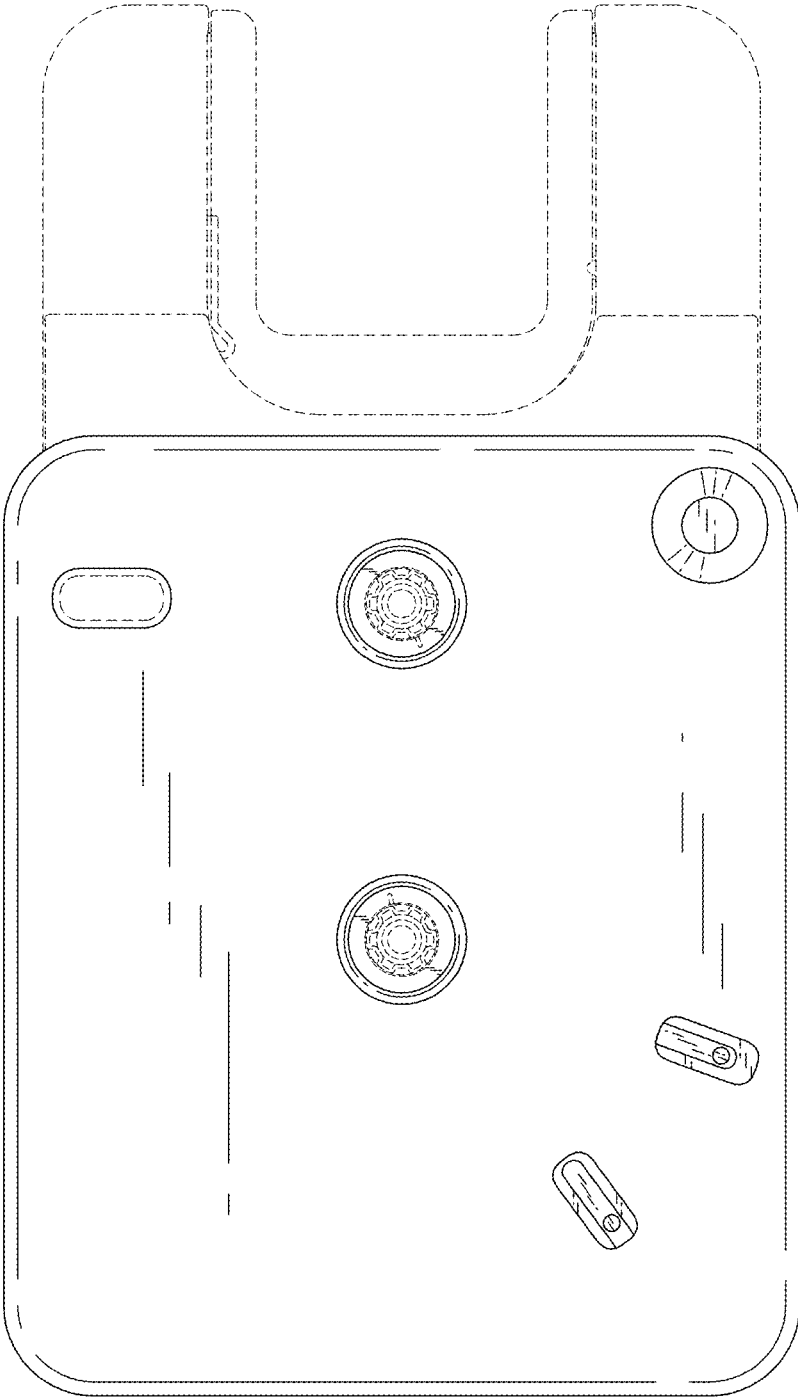


FIG. 16