



US00D428989S

United States Patent [19]

[11] Patent Number: Des. 428,989

Segermark et al.

[45] Date of Patent: ** Aug. 1, 2000

[54] SURGICAL INCISION SPREADING DEVICE

DESCRIPTION

[75] Inventors: **James Segermark**, Gem Lake; **Chris Herman**, White Bear Lake, both of Minn.

FIG. 1 is a top perspective view of a surgical incision spreading device of the invention in a first deployment configuration;

[73] Assignee: **Viamedics, LLC**, White Bear Lake, Minn.

FIG. 2 is a top elevational view of the surgical incision spreading device of FIG. 1;

[**] Term: **14 Years**

FIG. 3 is a bottom elevational view of the surgical incision spreading device of FIG. 1;

[21] Appl. No.: **29/106,710**

FIG. 4 is a right elevational view of the surgical incision spreading device of FIG. 1, the left elevational view being the same;

[22] Filed: **Jun. 18, 1999**

[51] **LOC (7) Cl.** **24-02**

FIG. 5 is a front elevational view of the surgical incision spreading device of FIG. 1, the rear elevational view being the same;

[52] **U.S. Cl.** **D24/135**

[58] **Field of Search** D24/135; 600/201, 600/208, 210, 214, 215, 216, 217, 222, 224, 225

FIG. 6 is top perspective view of the surgical incision spreading device of FIG. 1, but illustrating the surgical incision spreading device in a second deployment configuration;

[56] References Cited

U.S. PATENT DOCUMENTS

D. 319,502	8/1991	Michelson	D24/135
D. 403,066	12/1998	DeFonzo	D24/135
D. 411,617	6/1999	Furnish	D24/135
5,088,472	2/1992	Fakhrai	600/214
5,616,117	4/1997	Dinkler et al.	600/232
5,776,054	7/1998	Bobra	600/219

FIG. 7 is a top elevational view of the surgical incision spreading device of FIG. 6

FIG. 8 is a bottom elevational view of the surgical incision spreading device of FIG. 6;

Primary Examiner—Eric Watterson
Attorney, Agent, or Firm—Fredrikson & Byron, P.A.

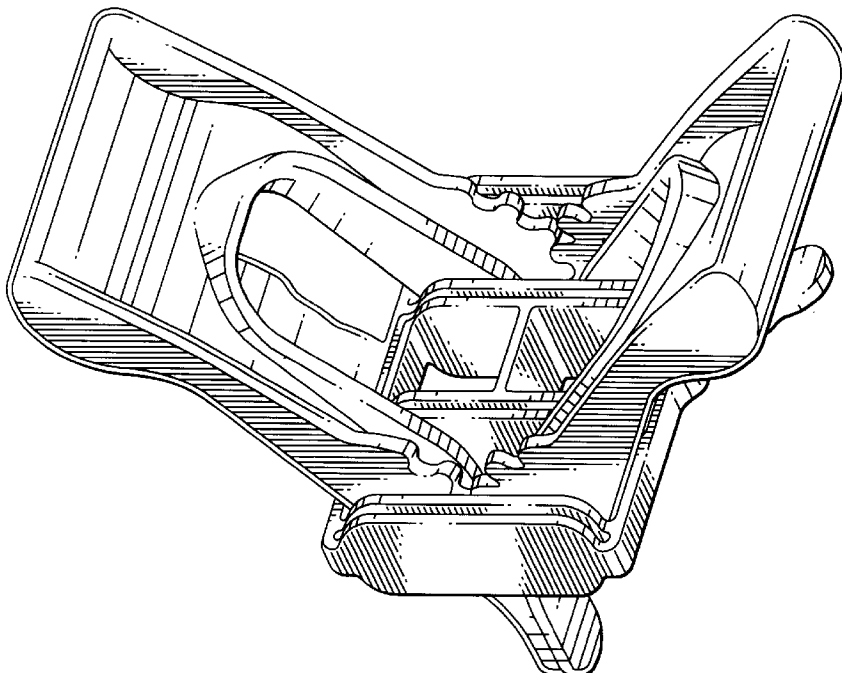
FIG. 9 is a right elevational view of the surgical incision spreading device of FIG. 6, the left elevational view being the same; and,

FIG. 10 is an front elevational view of the surgical incision spreading device of FIG. 6, the rear elevational view being the same.

[57] CLAIM

The ornamental design for a surgical incision spreading device, as shown and described.

1 Claim, 6 Drawing Sheets



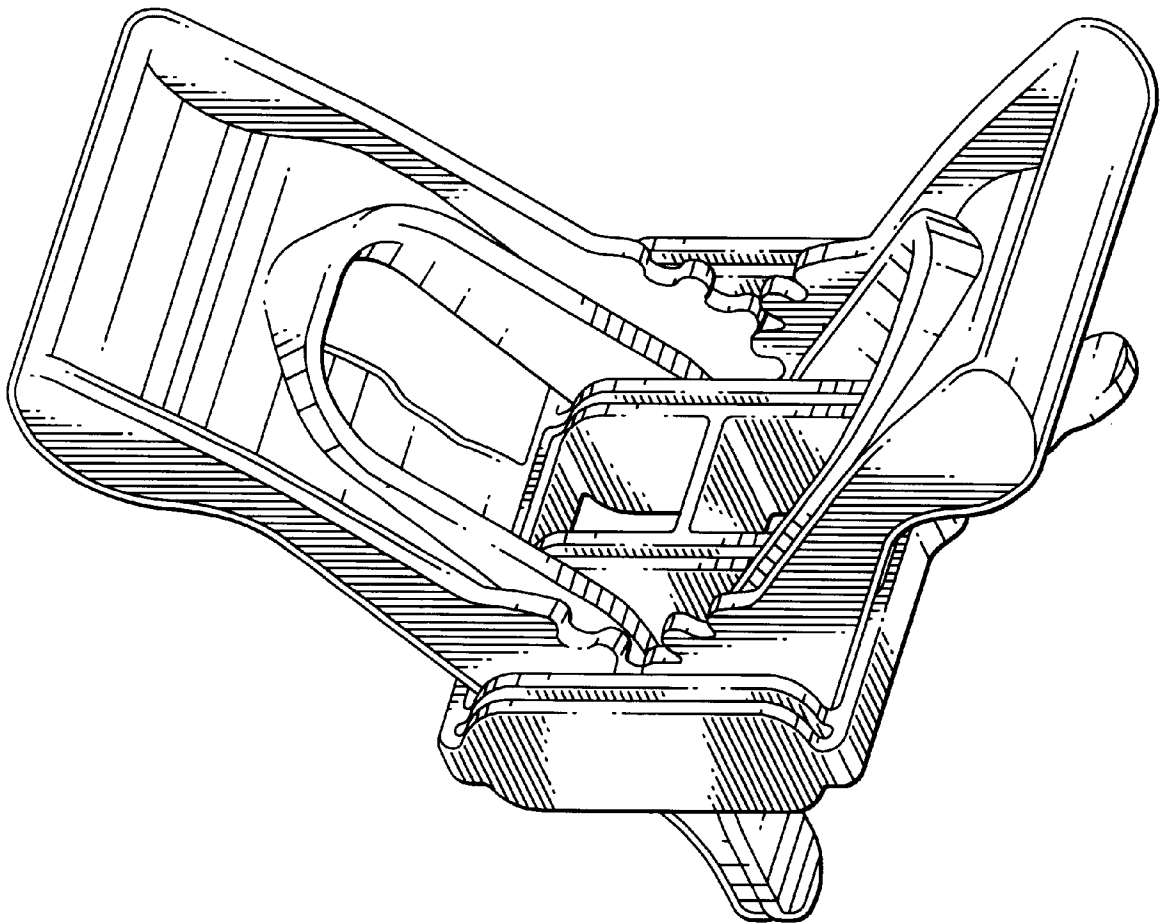


FIG.1

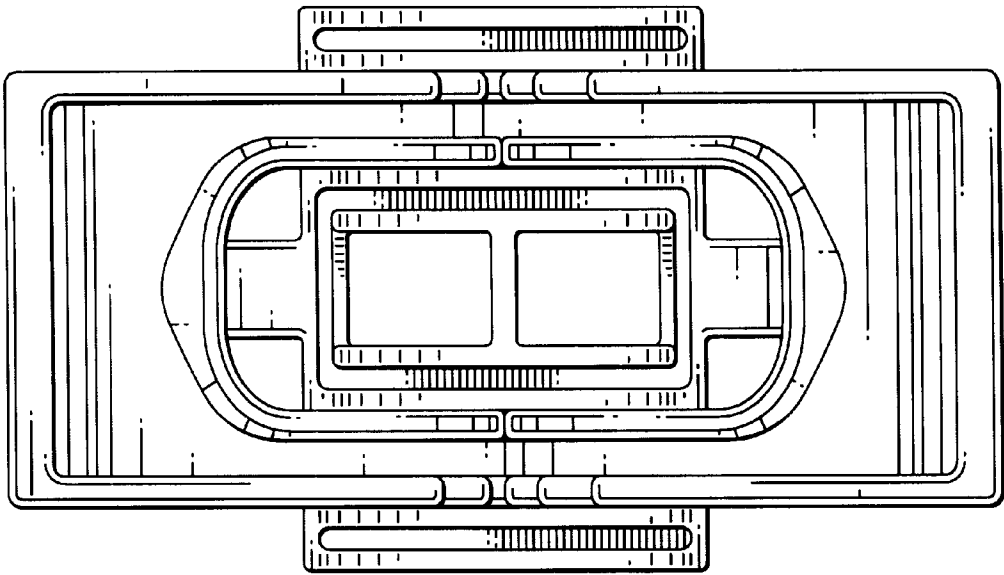


FIG.2

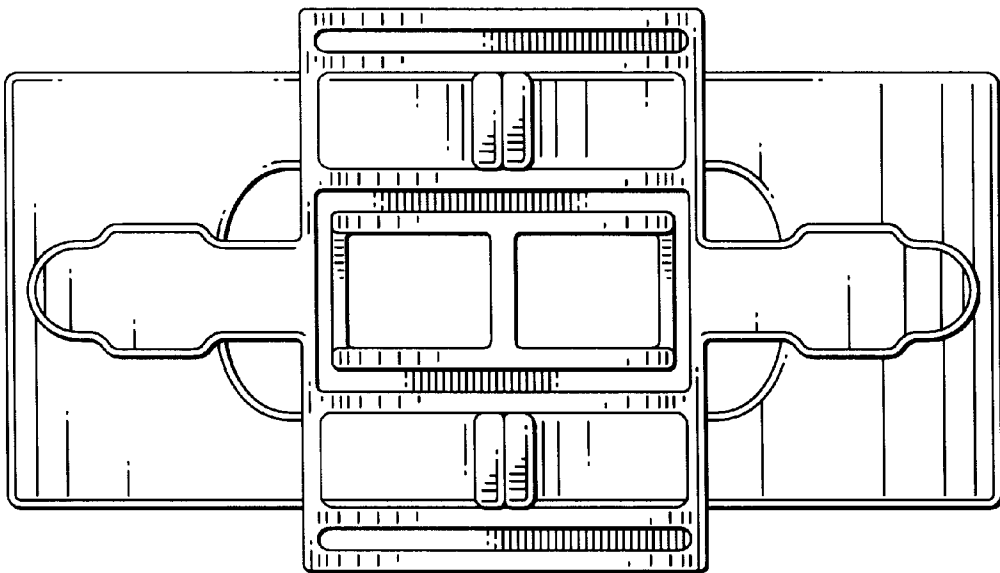


FIG.3

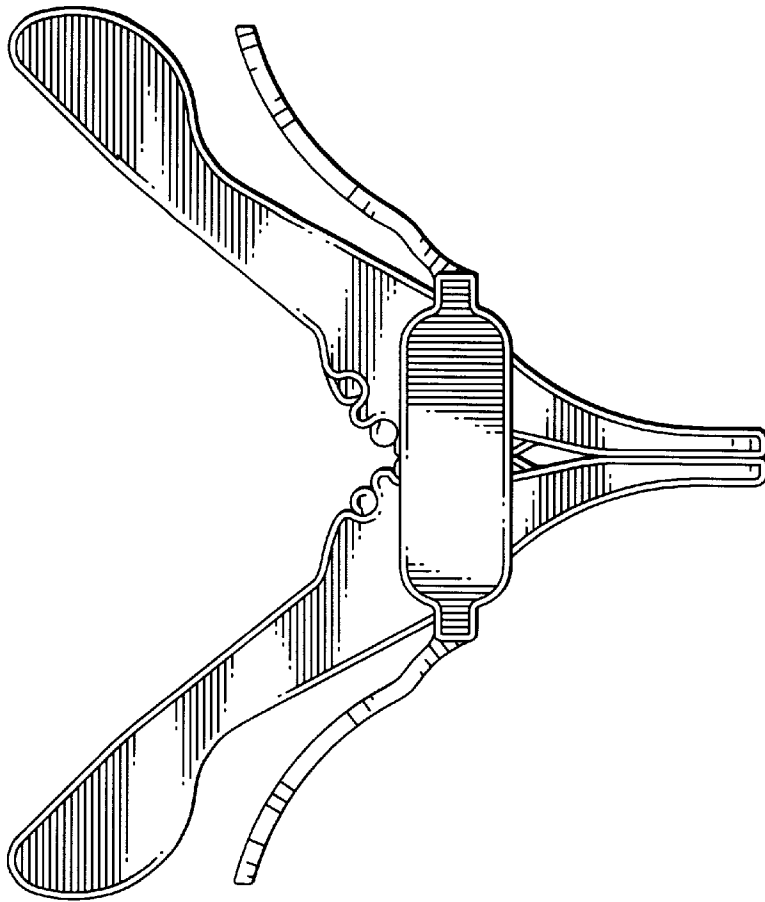


FIG.5

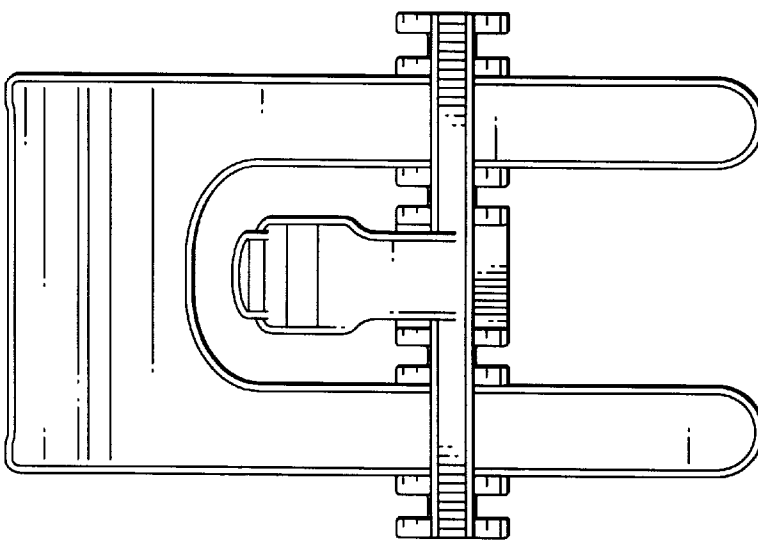


FIG.4

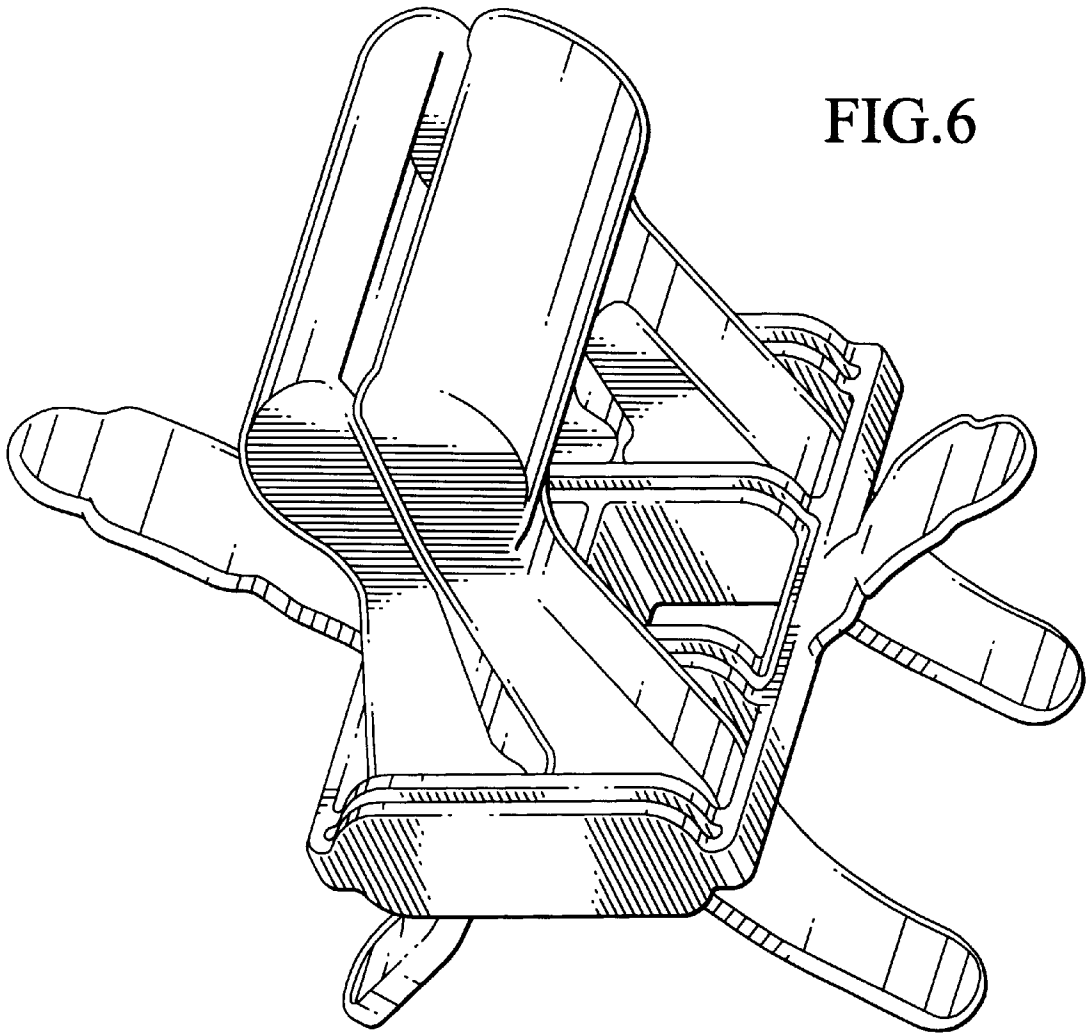


FIG.6

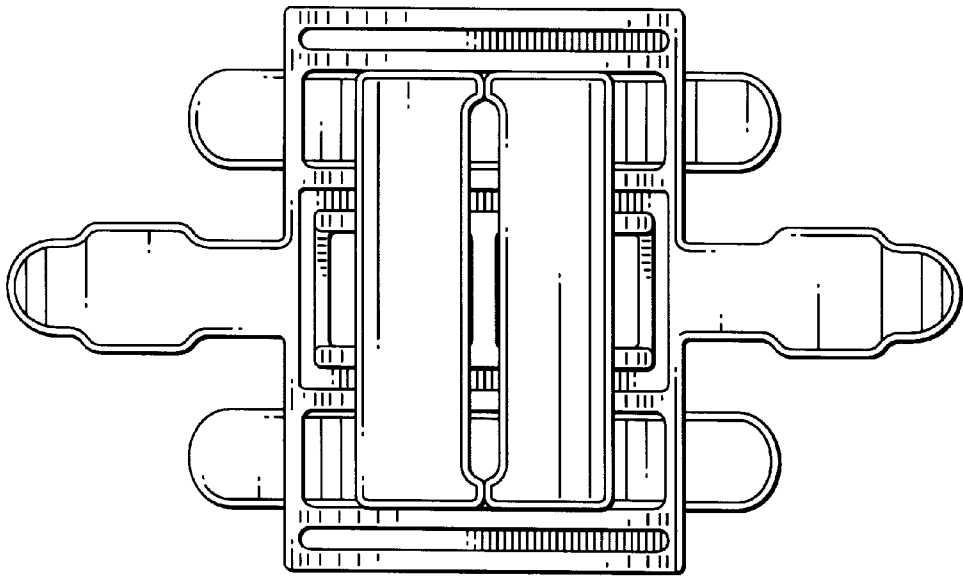


FIG. 7

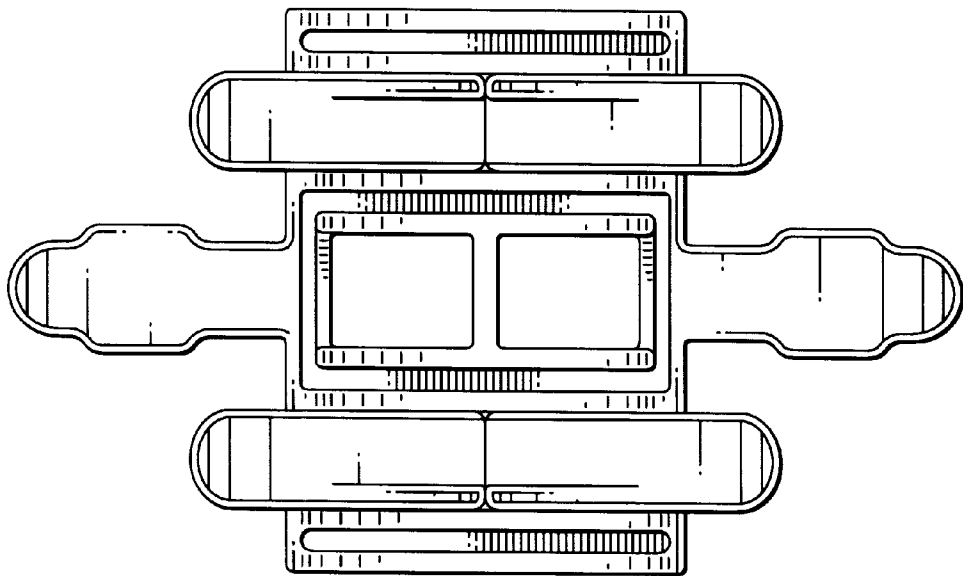


FIG. 8

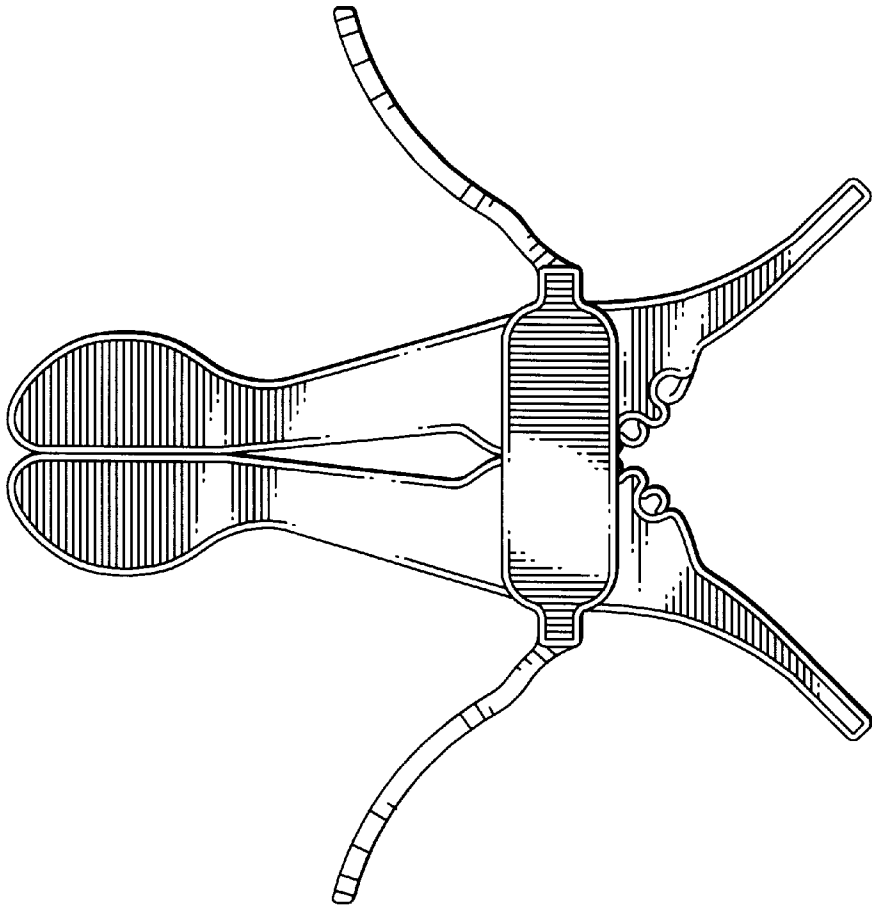


FIG. 10

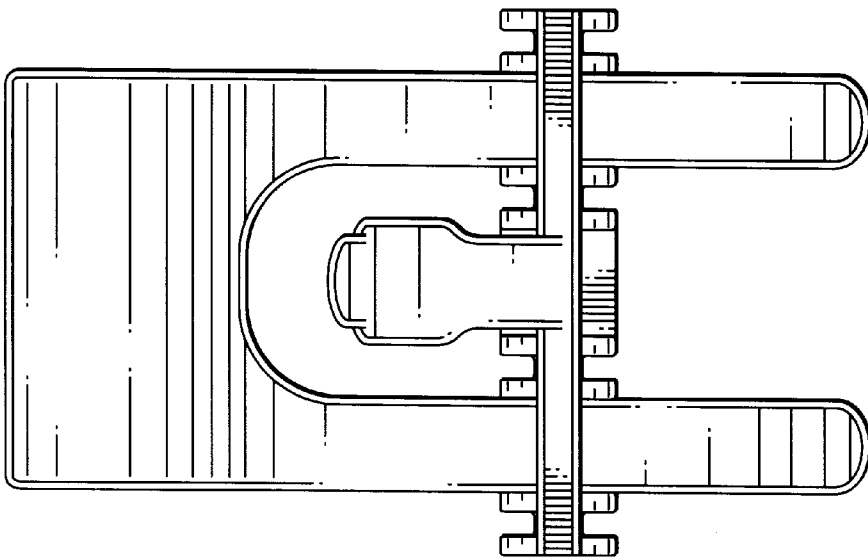


FIG. 9