



US00D374342S

**United States Patent** [19]  
**Tanaka**

[11] **Patent Number:** **Des. 374,342**  
[45] **Date of Patent:** **\*\*Oct. 8, 1996**

- [54] **TRACING IMPLEMENT**
- [75] **Inventor:** **Atsushi Tanaka**, Osaka, Japan
- [73] **Assignee:** **Clover Mfg. Co., Ltd.**, Japan
- [\*\*] **Term:** **14 Years**
- [21] **Appl. No.:** **39,056**
- [22] **Filed:** **May 19, 1995**
- [30] **Foreign Application Priority Data**

Jan. 6, 1995 [JP] Japan ..... 7-126

[52] **U.S. Cl.** ..... **D3/18; D8/14**

[58] **Field of Search** ..... **D8/14, 51; D3/18; D7/688; 30/162, 293, 263, 307, 319; 81/488**

[56] **References Cited**

**U.S. PATENT DOCUMENTS**

D. 174,703	5/1955	Orthwin	.....	D3/18
D. 179,530	1/1957	Tyroler	.....	D3/18
D. 217,051	3/1970	Camos	.....	D3/18
D. 235,704	7/1975	Tyroler	.....	D3/18
D. 288,522	3/1987	Salem	.....	D8/98
D. 298,409	11/1988	Sugiyama	.....	D8/98
D. 358,752	5/1995	Duvall	.....	D8/98
1,053,378	2/1913	Geisman	.....	81/488
4,601,103	7/1986	Sugiyama	.....	30/162

**FOREIGN PATENT DOCUMENTS**

850744 7/1992 Japan .

*Primary Examiner*—Ted Shooman  
*Assistant Examiner*—Philip S. Hyder  
*Attorney, Agent, or Firm*—Merchant, Gould, Smith, Edell, Welter & Schmidt

[57] **CLAIM**

The ornamental design for a tracing implement, as shown.

**DESCRIPTION**

FIG. 1 is a perspective view of a tracing implement showing my new design;

FIG. 2 is a front elevational view thereof;

FIG. 3 is a right side elevational view thereof;

FIG. 4 is a rear elevational view thereof;

FIG. 5 is a left side elevational view thereof;

FIG. 6 is a top plan view thereof;

FIG. 7 is a bottom plan view thereof;

FIG. 8 is a sectional view taken along arrow lines 8—8 in FIG. 2;

FIG. 9 is a sectional view taken along arrow lines 9—9 in FIG. 2;

FIG. 10 is a sectional view taken along arrow lines 10—10 in FIG. 2; and,

FIG. 11 is a sectional view taken along arrow lines 11—11 in FIG. 2.

**1 Claim, 4 Drawing Sheets**

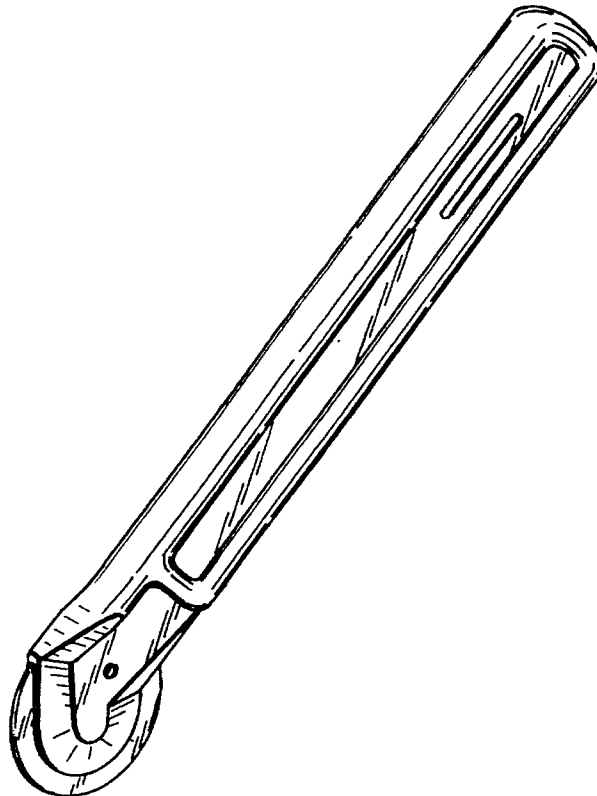


Fig. 1

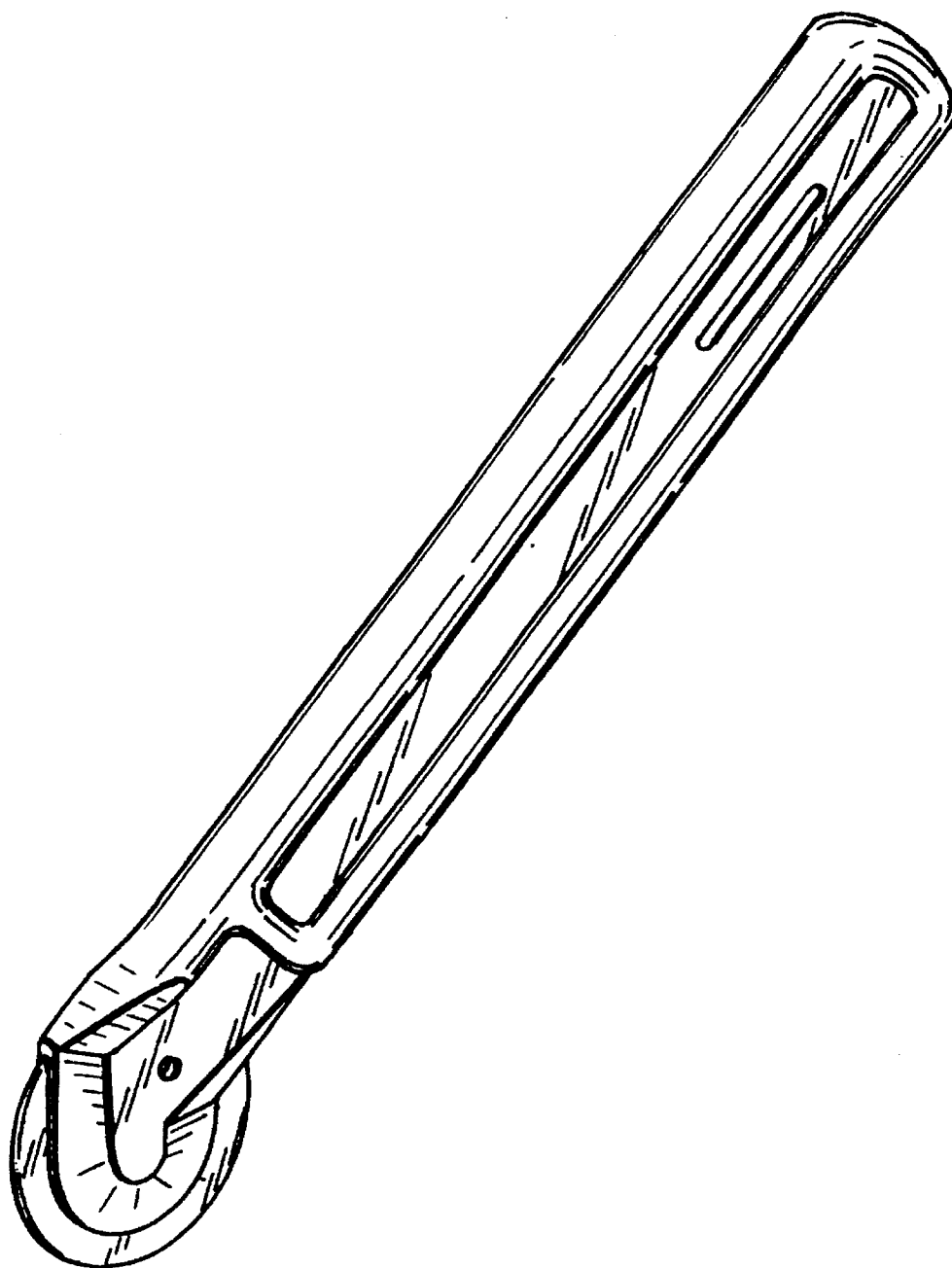


Fig. 3



Fig. 5

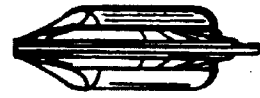


Fig. 2

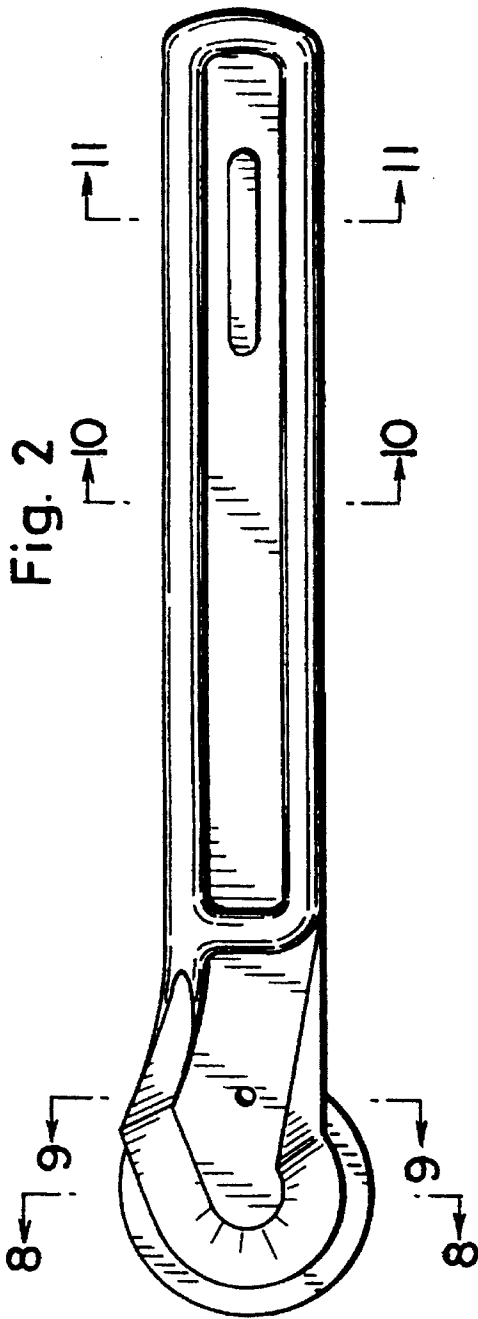


Fig. 4

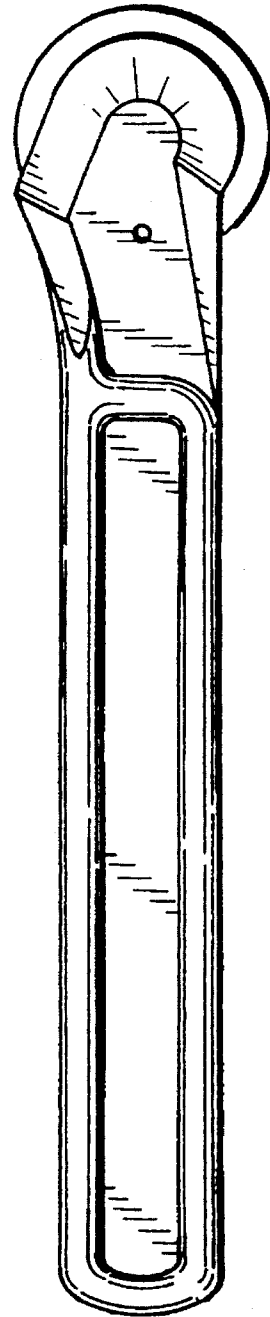


Fig. 6



Fig. 7



Fig. 11



Fig. 10



Fig. 9



Fig. 8

