

(19) World Intellectual Property  
Organization  
International Bureau



(43) International Publication Date  
12 May 2005 (12.05.2005)

PCT

(10) International Publication Number  
**WO 2005/043473 A3**

(51) International Patent Classification<sup>7</sup>: **A63F 9/24**

(21) International Application Number:  
PCT/US2004/036222

(22) International Filing Date: 29 October 2004 (29.10.2004)

(25) Filing Language: English

(26) Publication Language: English

(30) Priority Data:  
60/516,186 30 October 2003 (30.10.2003) US  
10/793,550 3 March 2004 (03.03.2004) US

(71) Applicant and

(72) Inventor: **GABUCHIAN, Varujan** [US/US]; 1146N.  
Central Ave., no.602, Glendale, CA 91202 (US).

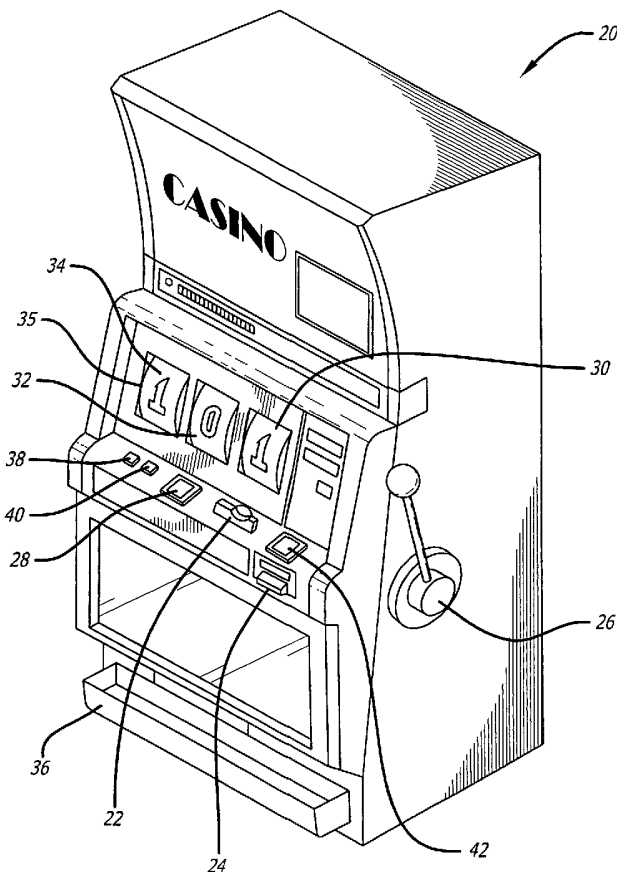
(74) Agents: **PEREZ, Ronald, E.** et al.; Fulwider Patton Lee  
& Utecht, LLP, Howard Hughes Center, 6060 Center Drive,  
Tenth Floor, Los Angeles, CA 90045 (US).

(81) Designated States (unless otherwise indicated, for every kind of national protection available): AE, AG, AL, AM, AT, AU, AZ, BA, BB, BG, BR, BW, BY, BZ, CA, CH, CN, CO, CR, CU, CZ, DE, DK, DM, DZ, EC, EE, EG, ES, FI, GB, GD, GE, GH, GM, HR, HU, ID, IL, IN, IS, JP, KE, KG, KP, KR, KZ, LC, LK, LR, LS, LT, LU, LV, MA, MD, MG, MK, MN, MW, MX, MZ, NA, NI, NO, NZ, OM, PG, PH, PL, PT, RO, RU, SC, SD, SE, SG, SK, SL, SY, TJ, TM, TN, TR, TT, TZ, UA, UG, US, UZ, VC, VN, YU, ZA, ZM, ZW.

(84) Designated States (unless otherwise indicated, for every kind of regional protection available): ARIPO (BW, GH, GM, KE, LS, MW, MZ, NA, SD, SL, SZ, TZ, UG, ZM, ZW), Eurasian (AM, AZ, BY, KG, KZ, MD, RU, TJ, TM), European (AT, BE, BG, CH, CY, CZ, DE, DK, EE, ES, FI, FR, GB, GR, HU, IE, IT, LU, MC, NL, PL, PT, RO, SE, SI, SK, TR), OAPI (BF, BJ, CF, CG, CI, CM, GA, GN, GQ, GW, ML, MR, NE, SN, TD, TG).

[Continued on next page]

(54) Title: GAME AND GAMING DEVICE



(57) Abstract: A casino style game of chance that determines a payout from a display of a winning combination of indicia that depicts the winnings as an actual monetary value. Each game may be implemented as a primary or secondary game in a slot machine (20). The game includes display surfaces (30, 32, 34) containing indicia representing zero or a one.

WO 2005/043473 A3



**Published:**

- *with international search report*
- *before the expiration of the time limit for amending the claims and to be republished in the event of receipt of amendments*

*For two-letter codes and other abbreviations, refer to the "Guidance Notes on Codes and Abbreviations" appearing at the beginning of each regular issue of the PCT Gazette.*

**(88) Date of publication of the international search report:**

30 June 2005

# INTERNATIONAL SEARCH REPORT

International application No.

PCT/US04/36222

**A. CLASSIFICATION OF SUBJECT MATTER**

IPC(7) : A63F 9/24  
 US CL : 463/20

According to International Patent Classification (IPC) or to both national classification and IPC

**B. FIELDS SEARCHED**

Minimum documentation searched (classification system followed by classification symbols)

U.S. : 463/20, 16; 273/143R, 138.1

Documentation searched other than minimum documentation to the extent that such documents are included in the fields searched

Electronic data base consulted during the international search (name of data base and, where practicable, search terms used)

**C. DOCUMENTS CONSIDERED TO BE RELEVANT**

Category *	Citation of document, with indication, where appropriate, of the relevant passages	Relevant to claim No.
X --- Y	US 6,033,307 A (VANCURA) 07 March 2000 (07.03.2000), column 6, lines 7-10 and column 17, lines 35-37.	1-7,9-13,16-23,25-36 ----- 8, 14, 15, 24
Y	US 6,173,955 B1 (PERRIE et al) 16 January 2001 (16.01.2001), figures 2 and figure 5.	14

Further documents are listed in the continuation of Box C.

See patent family annex.

\* Special categories of cited documents:

"A" document defining the general state of the art which is not considered to be of particular relevance

"E" earlier application or patent published on or after the international filing date

"L" document which may throw doubts on priority claim(s) or which is cited to establish the publication date of another citation or other special reason (as specified)

"O" document referring to an oral disclosure, use, exhibition or other means

"P" document published prior to the international filing date but later than the priority date claimed

"T"

later document published after the international filing date or priority date and not in conflict with the application but cited to understand the principle or theory underlying the invention

"X"

document of particular relevance; the claimed invention cannot be considered novel or cannot be considered to involve an inventive step when the document is taken alone

"Y"

document of particular relevance; the claimed invention cannot be considered to involve an inventive step when the document is combined with one or more other such documents, such combination being obvious to a person skilled in the art

"&"

document member of the same patent family

Date of the actual completion of the international search

18 February 2005 (18.02.2005)

Date of mailing of the international search report

28 APR 2005

Name and mailing address of the ISA/US

Mail Stop PCT, Attn: ISA/US  
 Commissioner for Patents  
 P.O. Box 1450  
 Alexandria, Virginia 22313-1450

Authorized officer

Michael O'Neill

Telephone No. 703-308-0858

Facsimile No. (703) 305-3230