



US00D760536S

(12) **United States Design Patent**
Scevola

(10) **Patent No.:** **US D760,536 S**

(45) **Date of Patent:** **** Jul. 5, 2016**

(54) **CONTAINER LID**

(71) Applicant: **EVINE Live Inc.**, Eden Prairie, MN (US)

(72) Inventor: **Brian Scevola**, Palm Harbor, FL (US)

(73) Assignee: **Evine Live Inc.**, Eden Prairie, MN (US)

(**) Term: **15 Years**

(21) Appl. No.: **29/530,333**

(22) Filed: **Jun. 16, 2015**

(51) **LOC (10) Cl.** **07-01**

(52) **U.S. Cl.**
USPC **D7/392.1**

(58) **Field of Classification Search**
USPC D7/392, 392.1, 396.1, 397, 398, 400, D7/538, 541, 555, 602, 620, 629; D9/428, D9/432, 435, 440, 449, 504, 737, 761; 220/212, 213, 263, 574, 575, 675, 700, 220/731, 794, 837; 215/386; 222/465.1, 222/475.1

CPC A47J 36/06
See application file for complete search history.

(56) **References Cited**

U.S. PATENT DOCUMENTS

1,686,955 A	10/1928	Brunhoff	
2,952,377 A	9/1960	Brown et al.	
D271,554 S *	11/1983	Grusin	D7/392.1
D289,719 S *	5/1987	Daenen	D7/392.1
D318,234 S	7/1991	Lillelund	
5,064,088 A *	11/1991	Steffes	A45C 11/20 220/837
D426,362 S	6/2000	Kent	
D439,022 S	3/2001	Brandeis	
D448,295 S *	9/2001	Mozes	D7/591
D448,296 S	9/2001	Bried	
D462,613 S	9/2002	Bried	
D484,409 S *	12/2003	Haggerty	D9/432
D522,362 S	6/2006	Liebe	
D526,157 S *	8/2006	Laib	D7/392.1

D529,800 S	10/2006	Liebe
D532,691 S	11/2006	Vogel
D535,877 S	1/2007	Tanninen
D547,648 S	7/2007	Solowiejko

(Continued)

OTHER PUBLICATIONS

“32 Litre Coloured Boxes with Wheels and Folding Lid”. Found online Feb. 16, 2016 at [packingboxes.co.uk](http://www.packingboxes.co.uk). Page dated Sep. 26, 2014. Retrieved from <http://www.packingboxes.co.uk/32-litre-coloured-boxes-with-wheels-and-folding-lids/>.*

(Continued)

Primary Examiner — George D Kirschbaum

Assistant Examiner — Kendra L Hamilton

(74) *Attorney, Agent, or Firm* — Bejin Bieneman PLC

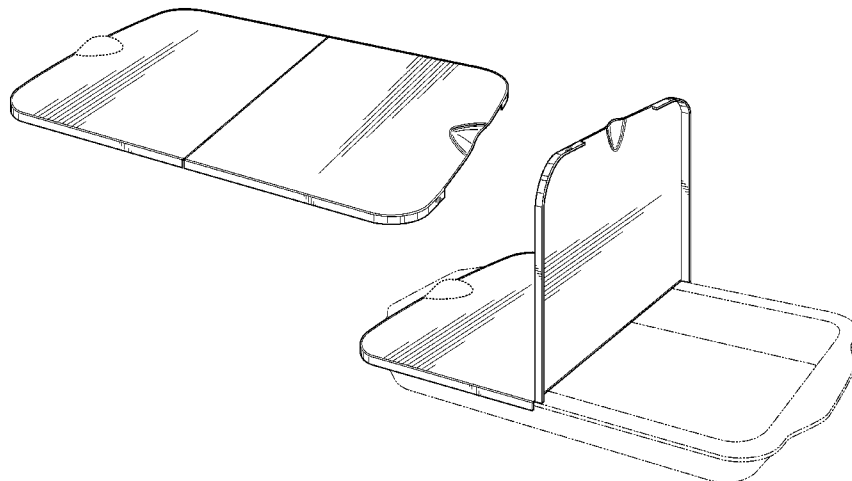
(57) **CLAIM**

I claim the ornamental design for a container lid, as shown and described.

DESCRIPTION

FIG. 1 is a perspective view of a container lid, showing my new design;
FIG. 2 is a side view thereof;
FIG. 3 is a top view thereof;
FIG. 4 is a bottom view thereof;
FIG. 5 is a perspective view thereof, shown in condition of use;
FIG. 6 is another perspective view thereof, shown in condition of use;
FIG. 7 is a perspective view thereof, shown closed in condition of use, atop an unclaimed container; and,
FIG. 8 is a perspective view thereof, shown open in condition of use, atop an unclaimed container.
In FIGS. 1 through 8, the evenly-spaced broken lines illustrate portions of the container lid that form no part of the claimed design. In FIGS. 7 and 8, the dash-dot-dot-dash lines depict unclaimed environmental subject matter.

1 Claim, 7 Drawing Sheets



(56)

References Cited

U.S. PATENT DOCUMENTS

D552,989	S	10/2007	Vogel	
D581,786	S *	12/2008	Scheve	D9/435
D582,274	S	12/2008	Vogel	
D584,612	S *	1/2009	Ianello	D9/435
D623,064	S	9/2010	Salmon	
D628,020	S *	11/2010	Lim	D7/629
D656,789	S *	4/2012	Locke	D7/541
D666,878	S *	9/2012	Siegel	D7/629
D686,491	S *	7/2013	Kuo	D9/432
D712,263	S	9/2014	Humm et al.	
D733,503	S *	7/2015	Bagley	D7/629
2002/0125203	A1	9/2002	Bried et al.	
2004/0118846	A1	6/2004	Merolla	
2013/0068765	A1	3/2013	Procter	
2014/0326273	A1	11/2014	Kalyanpur et al.	

OTHER PUBLICATIONS

“50 Litre Smart Storage Box with Folding Lid”. Found online Feb. 16, 2016 at [packingboxes.co.uk](http://www.packingboxes.co.uk). Page dated Jan. 22, 2013. Retrieved from <http://www.packingboxes.co.uk/50l-smart-storage-box-with-folding-lid/>.*

Round Plastic Snack Containers with Flip Top Lids: Announced Oct. 15, 2015 [online], site visited [Dec. 15, 2015]. Available from Internet URL: <https://www.dollartree.com/Round-Plastic-Snack-Containers-with-Flip-Top-Lids-2-ct-Packs/p357583/index.pro#BVRRWidgetID>.

Bradbury Barrel Acrylic Lid: Announced Oct. 5, 2015 [online], site visited [Dec. 14, 2015]. Available from Internet URL: http://www.wasserstrom.com/restaurant-supplies-equipment/Product_200609.

* cited by examiner

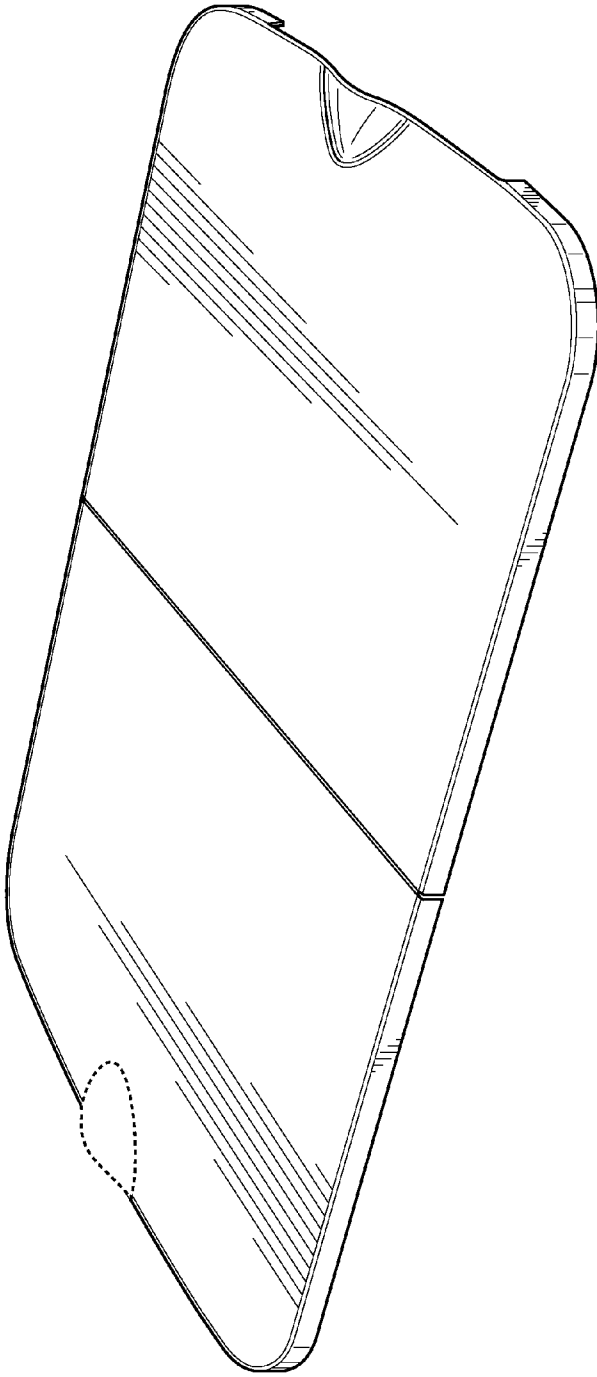


FIG. 1

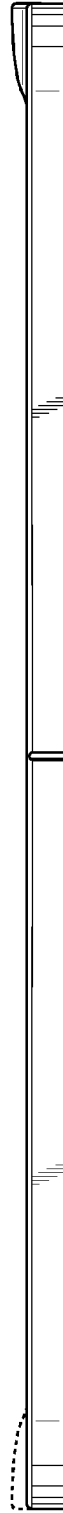


FIG. 2

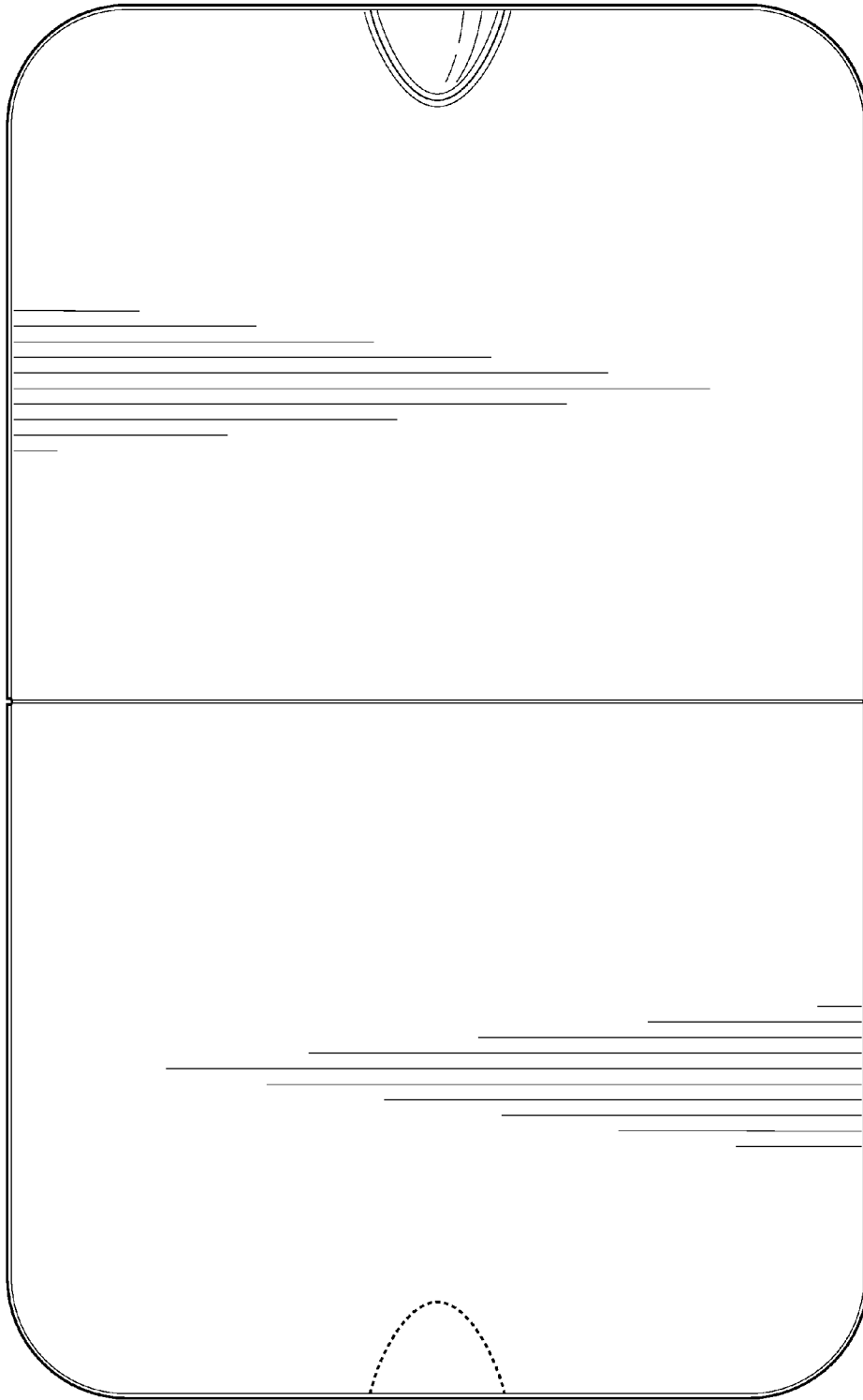


FIG. 3

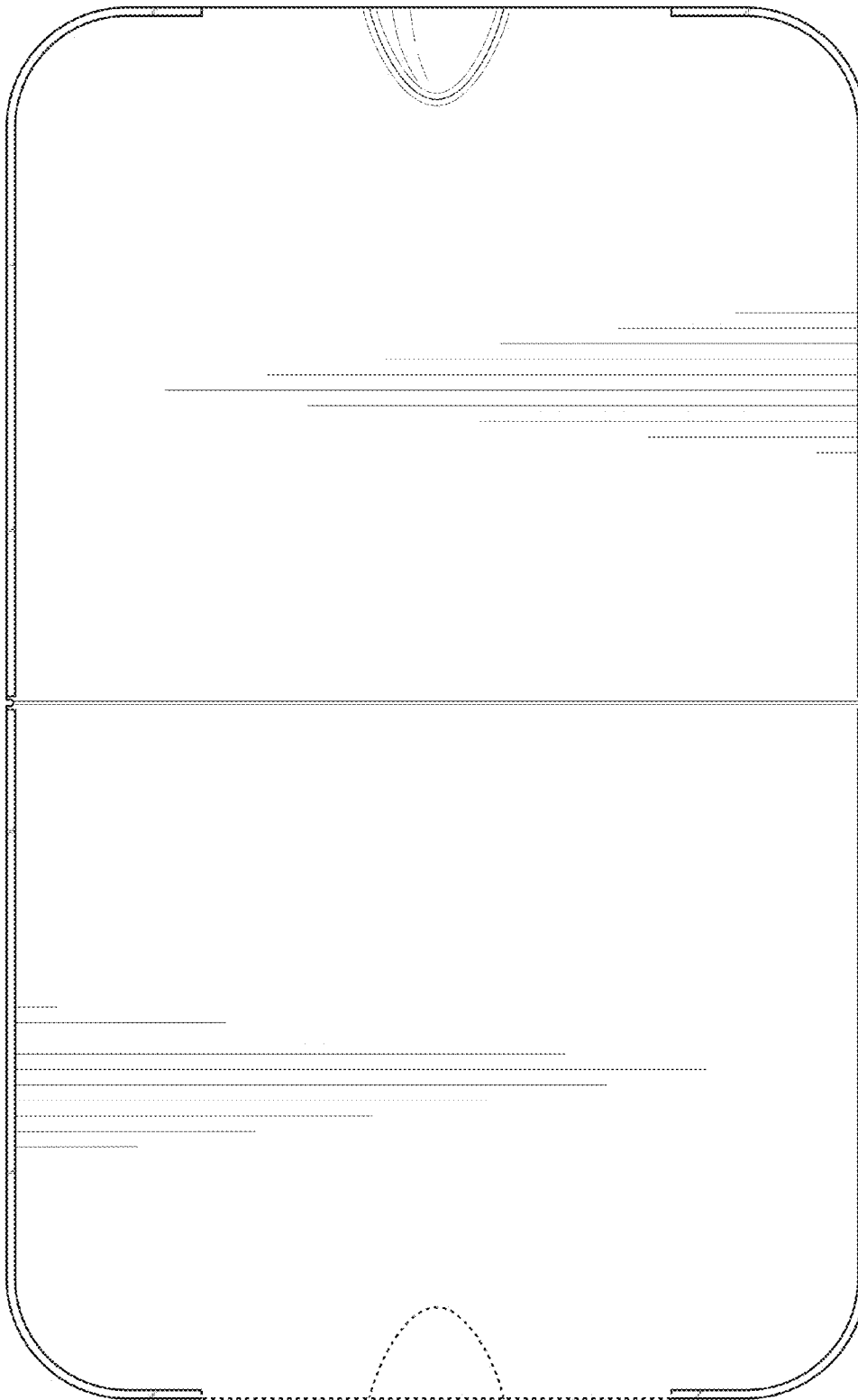


FIG. 4

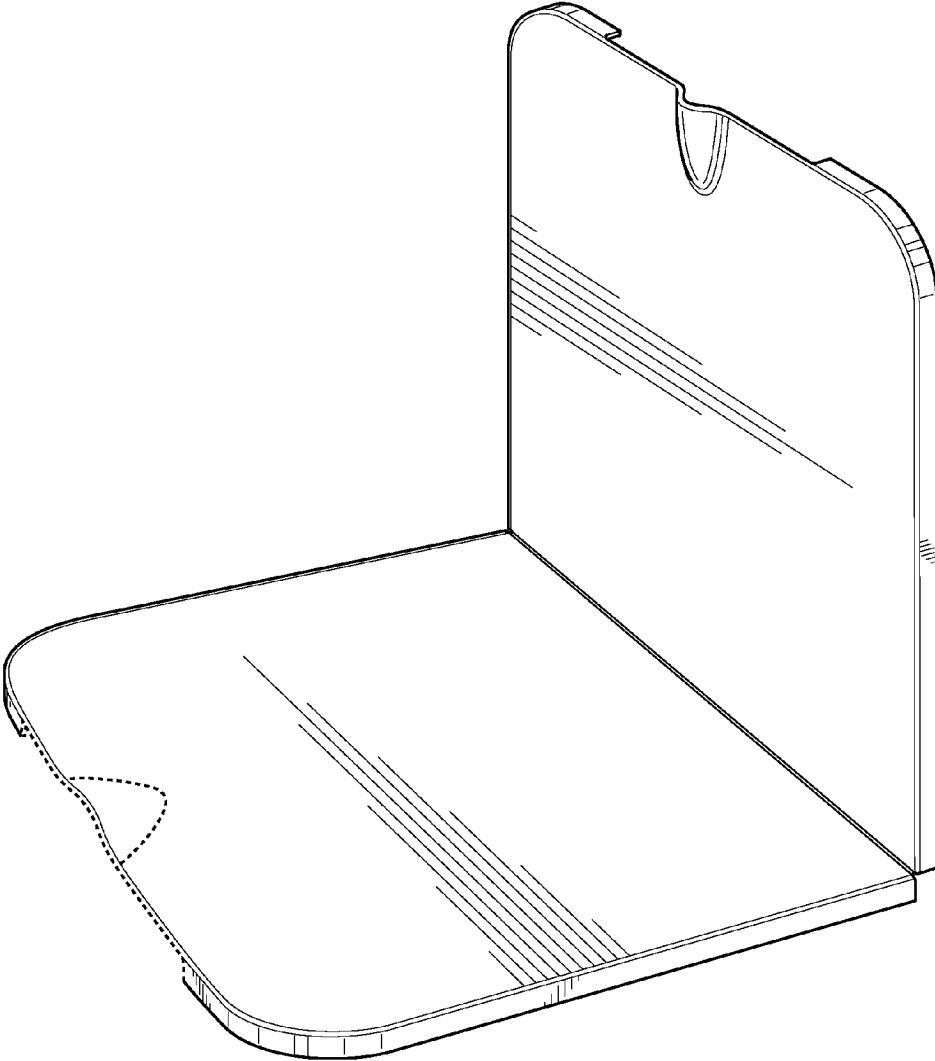


FIG. 5

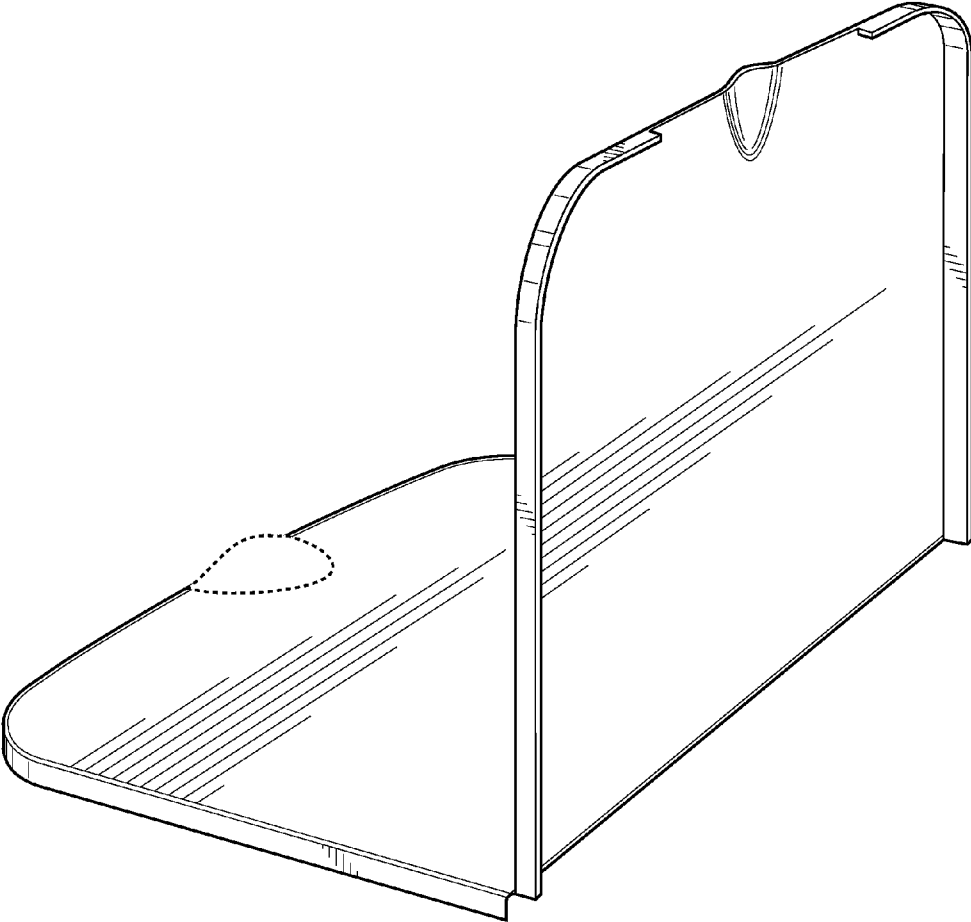


FIG. 6

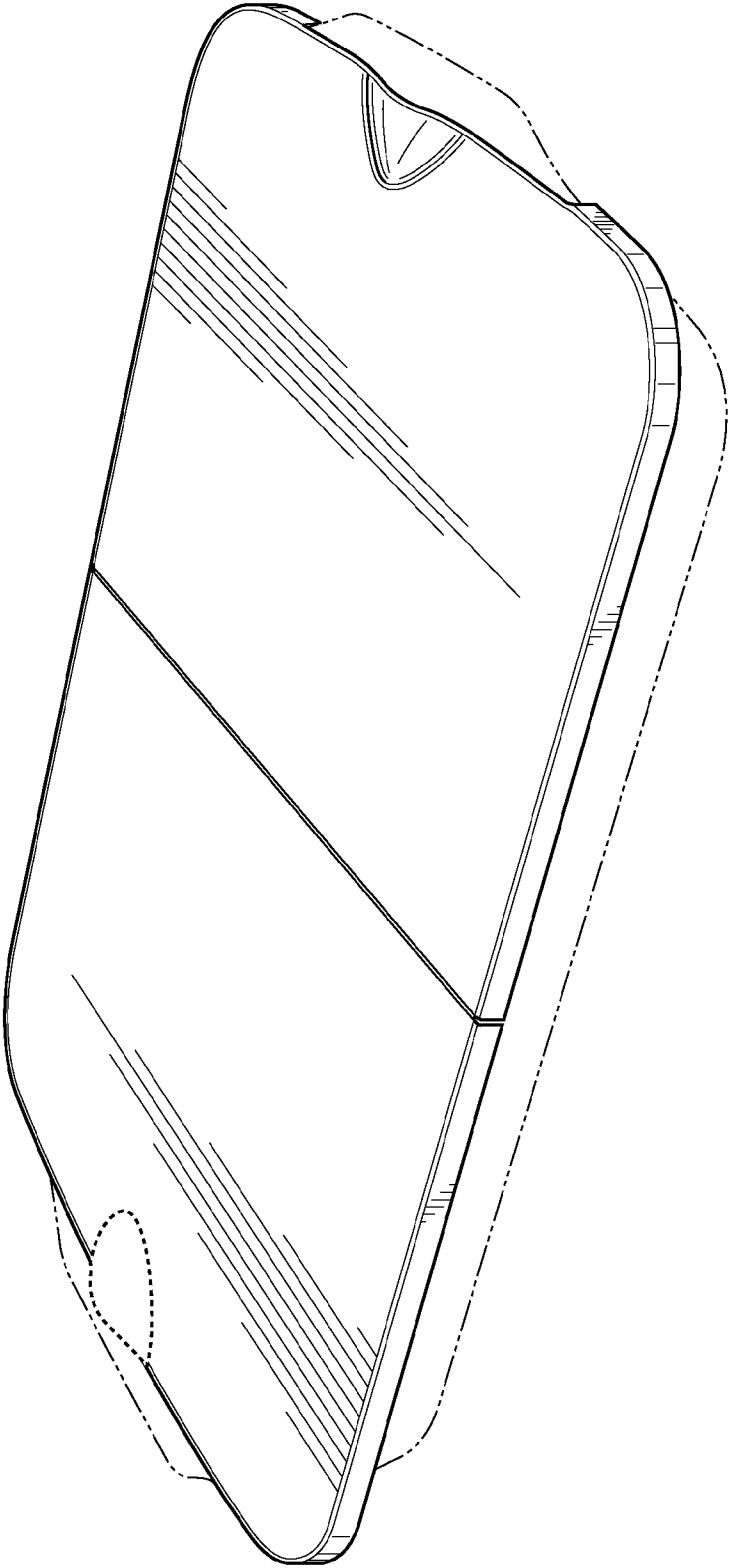


FIG. 7

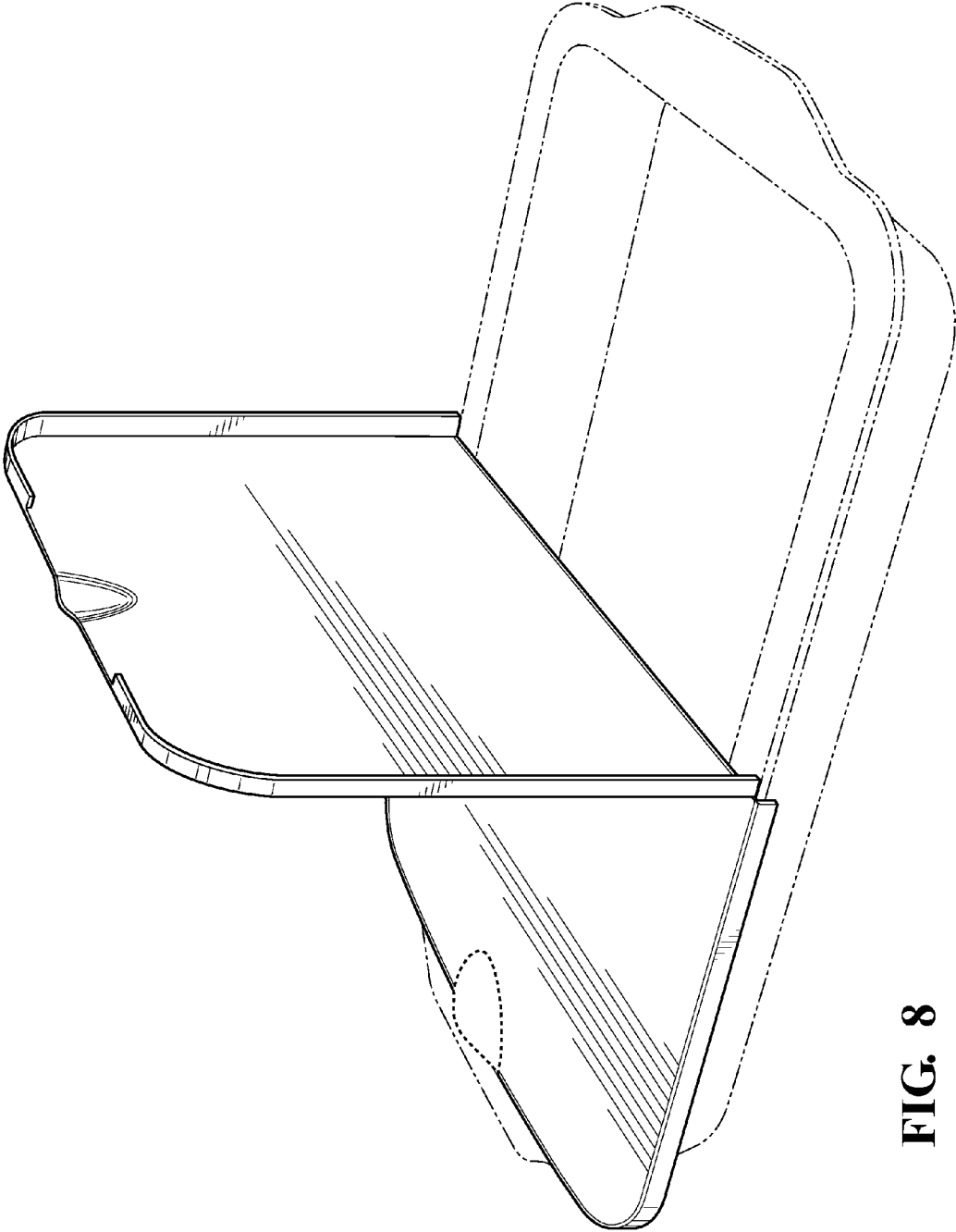


FIG. 8