

(19) World Intellectual Property
Organization
International Bureau



(43) International Publication Date
21 October 2004 (21.10.2004)

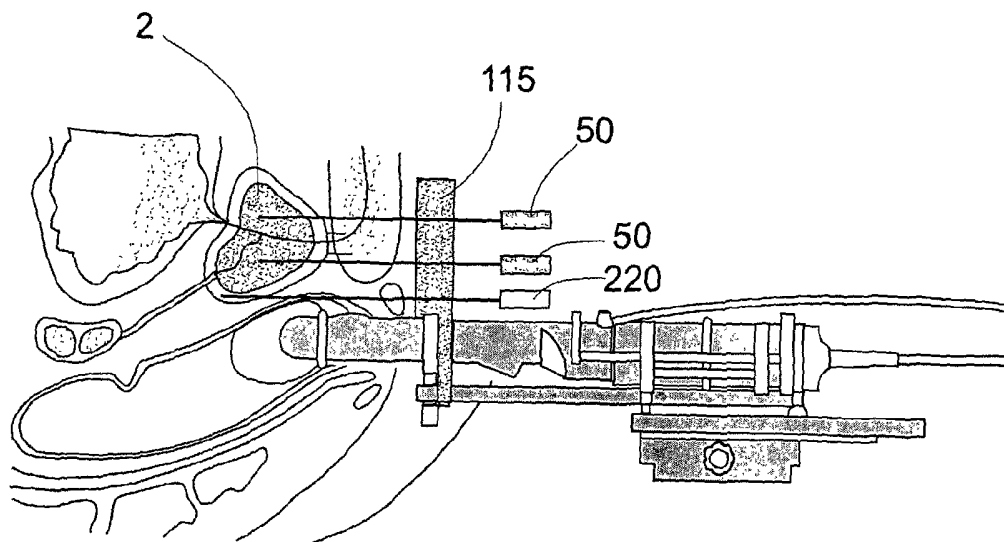
PCT

(10) International Publication Number
WO 2004/089183 A3

- (51) International Patent Classification⁷: **A61B 18/18**
- (21) International Application Number:
PCT/IL2004/000323
- (22) International Filing Date: 13 April 2004 (13.04.2004)
- (25) Filing Language: English
- (26) Publication Language: English
- (30) Priority Data:
10/412,330 14 April 2003 (14.04.2003) US
- (71) Applicant (for all designated States except US): **GALIL MEDICAL LTD.** [IL/IL]; Yokneam Industrial Park, P.O. Box 224, Yokneam, 20 692 (IL).
- (72) Inventors; and
(75) Inventors/Applicants (for US only): **CYTRON, Samuel** [IL/IL]; Hasharon Street 28, 81 514 Yavne (IL). **SOFER, Paul** [IL/IL]; Hamishol 3, 44 925 Zofit (IL). **SCHECHTER, Doris** [IL/IL]; Hakovshim Street 99/2, 30 900 Zikhron Yakov (IL). **AMIR, Uri** [IL/IL]; 6 Almog Street, Neve Savyon, Or Yehuda, 60 405 (IL). **ZVULONI, Roni** [IL/IL]; 67 Hantke Street, Haifa 34 608 (IL).
- (74) Agent: **G.E. EHRLICH (1995) LTD.**; 11 Menachem Begin Street, Ramat-Gan 52 521 (IL).
- (81) Designated States (unless otherwise indicated, for every kind of national protection available): AE, AG, AL, AM, AT, AU, AZ, BA, BB, BG, BR, BW, BY, BZ, CA, CH, CN, CO, CR, CU, CZ, DE, DK, DM, DZ, EC, EE, EG, ES, FI, GB, GD, GE, GH, GM, HR, HU, ID, IL, IN, IS, JP, KE, KG, KP, KR, KZ, LC, LK, LR, LS, LT, LU, LV, MA, MD, MG, MK, MN, MW, MX, MZ, NA, NI, NO, NZ, OM, PG, PH, PL, PT, RO, RU, SC, SD, SE, SG, SK, SL, SY, TJ, TM, TN, TR, TT, TZ, UA, UG, US, UZ, VC, VN, YU, ZA, ZM, ZW.
- (84) Designated States (unless otherwise indicated, for every kind of regional protection available): ARIPO (BW, GH, GM, KE, LS, MW, MZ, SD, SL, SZ, TZ, UG, ZM, ZW), Eurasian (AM, AZ, BY, KG, KZ, MD, RU, TJ, TM), European (AT, BE, BG, CH, CY, CZ, DE, DK, EE, ES, FI, FR, GB, GR, HU, IE, IT, LU, MC, NL, PL, PT, RO, SE, SI, SK, TR), OAPI (BF, BJ, CF, CG, CI, CM, GA, GN, GQ, GW, ML, MR, NE, SN, TD, TG).
- Published:**
— with international search report
— before the expiration of the time limit for amending the claims and to be republished in the event of receipt of amendments

[Continued on next page]

(54) Title: APPARATUS AND METHOD FOR PROTECTING TISSUES DURING CRYOABLATION



(57) Abstract: An apparatus and method for protecting the neurovascular bundle during cryoablation of tissues of the prostate (2) by heating the vicinity of the neurovascular bundle while cooling pathological tissues of a prostate to cryoablation temperatures, thereby cryoablating pathological tissues while protecting the neurovascular bundle from damage. A cryoprobe operable to cool a distal operating tip (82) while heating a proximal shaft is presented.

WO 2004/089183 A3



(88) Date of publication of the international search report:
16 December 2004

For two-letter codes and other abbreviations, refer to the "Guidance Notes on Codes and Abbreviations" appearing at the beginning of each regular issue of the PCT Gazette.

INTERNATIONAL SEARCH REPORT

International application No.

PCT/IL04/00323

A. CLASSIFICATION OF SUBJECT MATTER
 IPC(7) : A 61 B 18/18
 US CL : 606/21
 According to International Patent Classification (IPC) or to both national classification and IPC

B. FIELDS SEARCHED
 Minimum documentation searched (classification system followed by classification symbols)
 U.S. : 606/20-27

Documentation searched other than minimum documentation to the extent that such documents are included in the fields searched

Electronic data base consulted during the international search (name of data base and, where practicable, search terms used)

C. DOCUMENTS CONSIDERED TO BE RELEVANT

Category *	Citation of document, with indication, where appropriate, of the relevant passages	Relevant to claim No.
Y	US 5,800,488 A (CROCKETT) 01 September 1998 (01.09.1998), entire document.	1-36
Y	US 6,017,361 A (MIKUS et al.) 25 January 2000 (25.01.2000), entire document.	1-36
Y	US 6,419,690 B1 (MIKUS et al.) 16 July 2002 (16.06.2002), entire document.	1-36
Y	US 6,505,629 B1 (MIKUS et al.) 14 January 2003 (14.01.2003), entire document.	1-36
Y	US 5,899,897 A (RABIN et al.) 4 May 1999 (04.05.1999), entire document.	1-36

Further documents are listed in the continuation of Box C.

See patent family annex.

* Special categories of cited documents:	"T" later document published after the international filing date or priority date and not in conflict with the application but cited to understand the principle or theory underlying the invention
"A" document defining the general state of the art which is not considered to be of particular relevance	"X" document of particular relevance; the claimed invention cannot be considered novel or cannot be considered to involve an inventive step when the document is taken alone
"E" earlier application or patent published on or after the international filing date	"Y" document of particular relevance; the claimed invention cannot be considered to involve an inventive step when the document is combined with one or more other such documents, such combination being obvious to a person skilled in the art
"L" document which may throw doubts on priority claim(s) or which is cited to establish the publication date of another citation or other special reason (as specified)	"&" document member of the same patent family
"O" document referring to an oral disclosure, use, exhibition or other means	
"P" document published prior to the international filing date but later than the priority date claimed	

Date of the actual completion of the international search

12 October 2004 (12.10.2004)

Date of mailing of the international search report

05 NOV 2004

Name and mailing address of the ISA/US

Mail Stop PCT, Attn: ISA/US
 Commissioner for Patents
 P.O. Box 1450
 Alexandria, Virginia 22313-1450

Facsimile No. (703) 305-3230

Authorized officer

Linda C Dworak

Telephone No. 703 308 0858