



US00D489473S

(12) **United States Design Patent**
Cuevas et al.

(10) **Patent No.:** **US D489,473 S**

(45) **Date of Patent:** **** May 4, 2004**

(54) **LIGHT**

1,668,772 A * 5/1928 Kestell 362/405

(76) Inventors: **Daniel Cuevas**, 1517 Oriole La., Los Angeles, CA (US) 90069; **Richard Hallberg**, 1988 Coldwater Canyon, Los Angeles, CA (US) 90210; **Barbara Wiseley**, 1560 Oriole La., Los Angeles, CA (US) 90069

OTHER PUBLICATIONS

Home Lighting and Accessories, Jun. 2001, p. 9, chandelier in bottom right photo.*

Photographs of Sculpture, 7 pages, 18th Century.

* cited by examiner

(**) Term: **14 Years**

Primary Examiner—Clare Heflin

(74) *Attorney, Agent, or Firm*—Heslin Rothenberg Farley & Mesiti P.C.; Victor A. Cardona, Esq.

(21) Appl. No.: **29/180,934**

(22) Filed: **May 2, 2003**

(57) **CLAIM**

The ornamental design for the light, as shown and described.

Related U.S. Application Data

DESCRIPTION

(63) Continuation of application No. 29/167,440, filed on Sep. 13, 2002, now abandoned.

FIG. 1 is a perspective view of a light comprising the new design;

(51) **LOC (7) Cl.** **26-03**

(52) **U.S. Cl.** **D26/81**

(58) **Field of Search** D26/72, 80-92, D26/141, 144, 155; 362/147, 237, 404-406, 806, 432

FIG. 2 is a top view thereof;

FIG. 3 is a front view thereof;

FIG. 4 is a side view identical to the mirror image of the other side thereof; and,

FIG. 5 is a bottom view thereof.

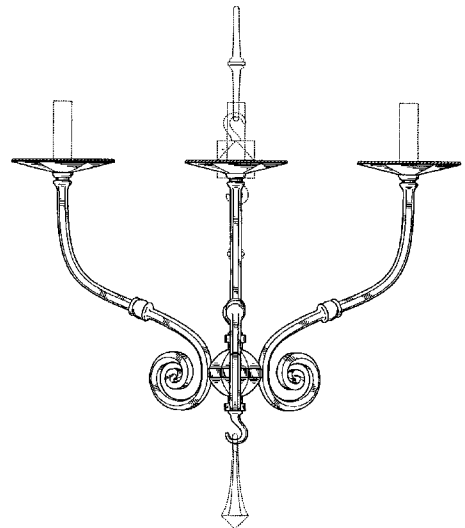
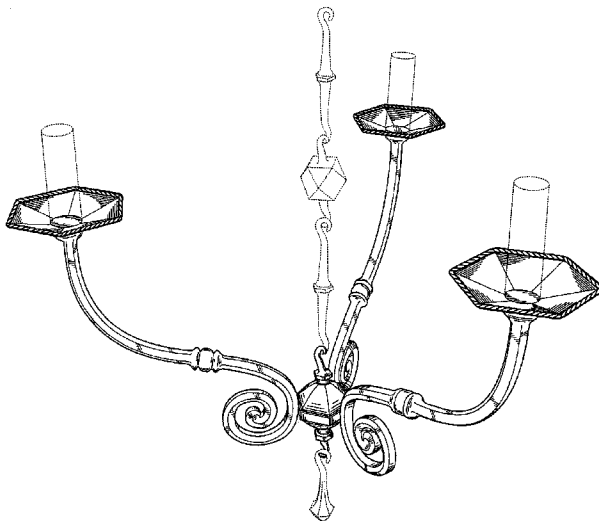
The broken lines in the drawing figures are for illustrative purposes only and form no part of the claimed design.

(56) **References Cited**

U.S. PATENT DOCUMENTS

D70,562 S * 7/1926 Holz D26/81

1 Claim, 5 Drawing Sheets



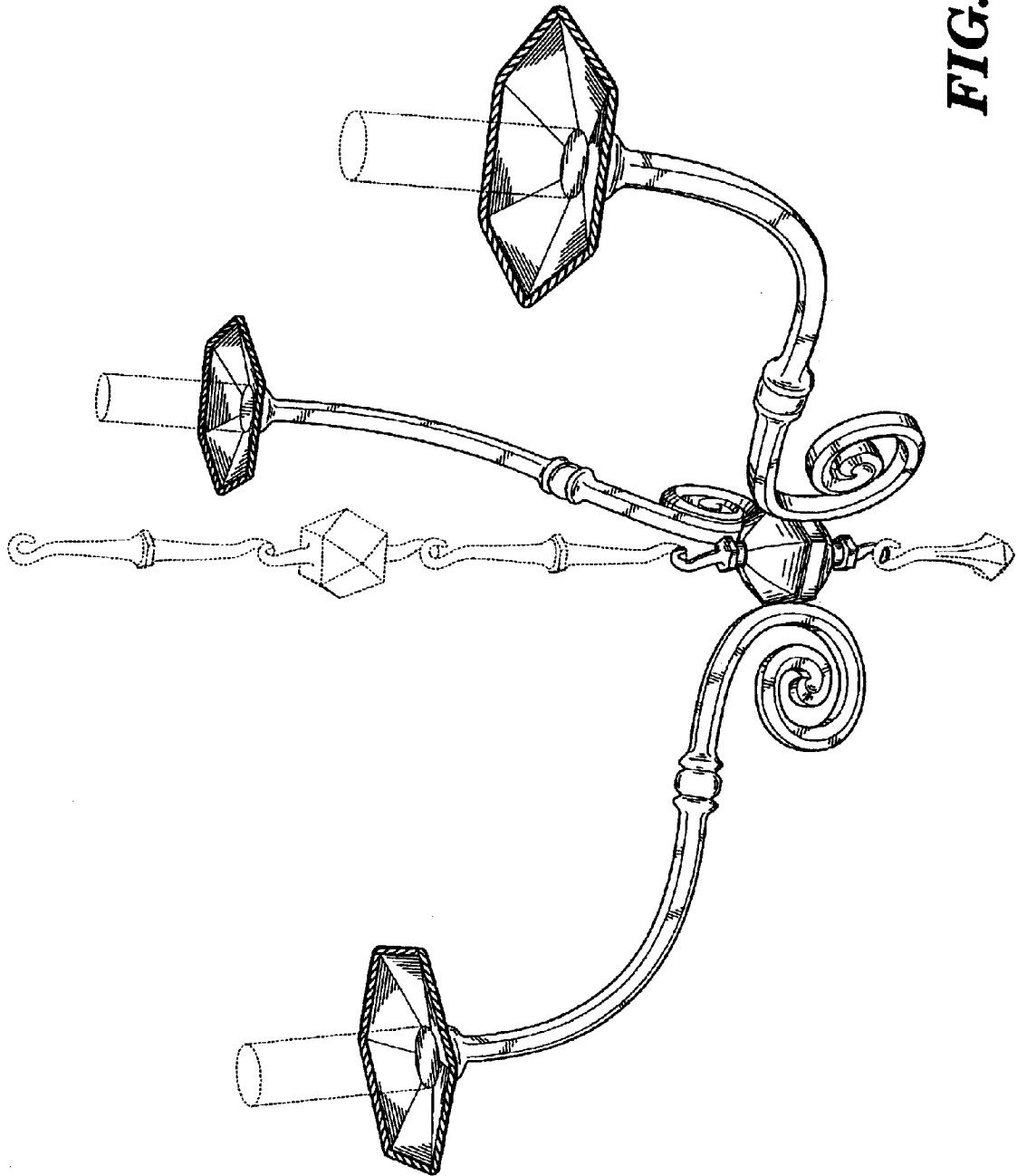


FIG. 1

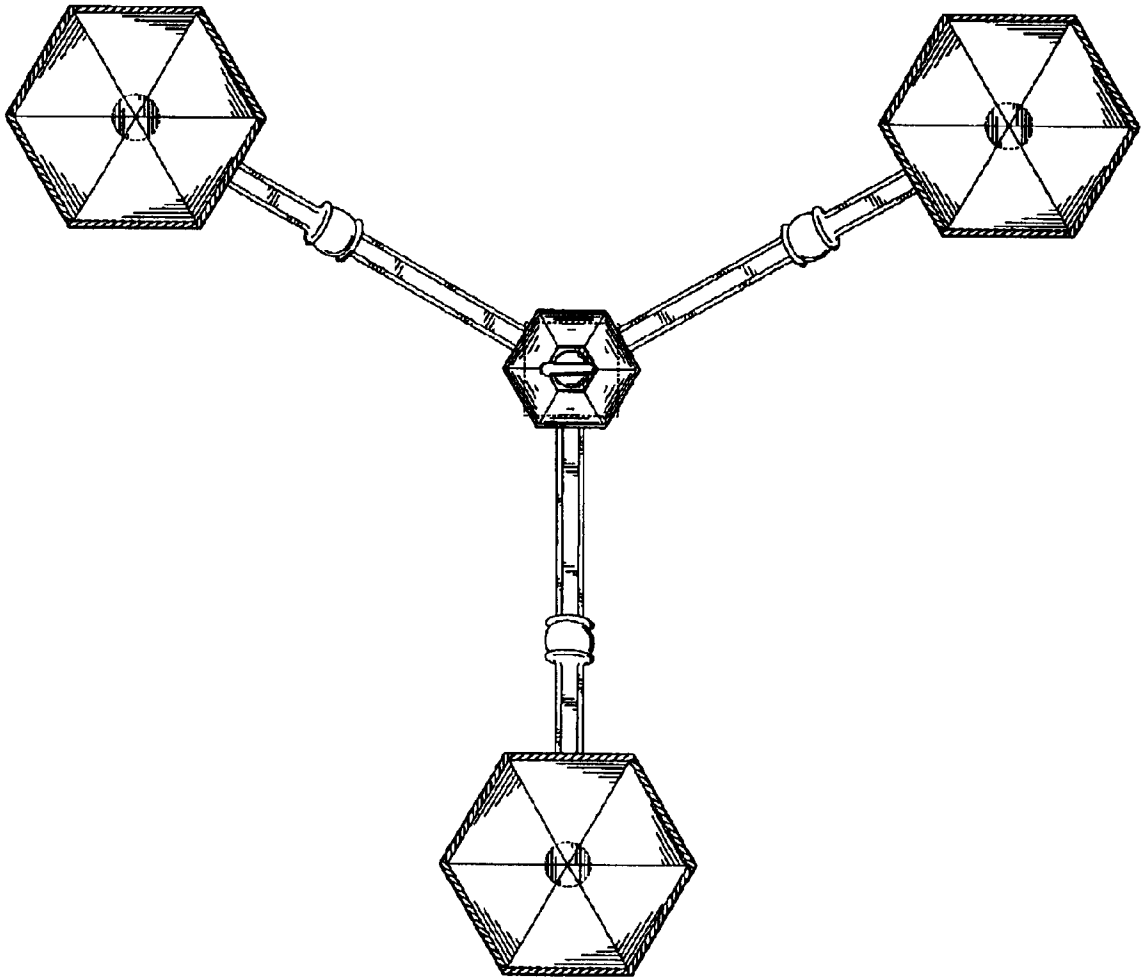


FIG. 2

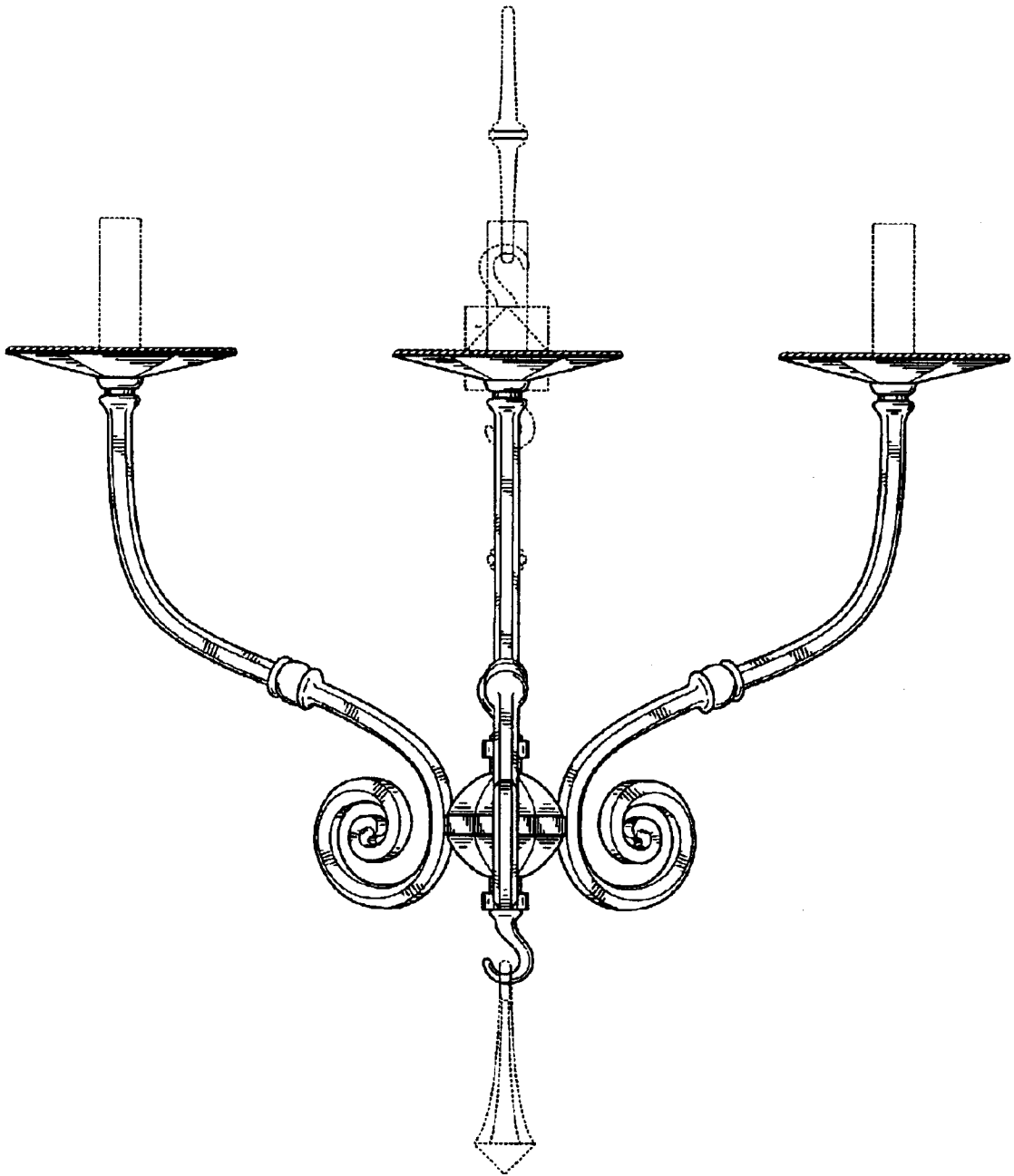


FIG. 3

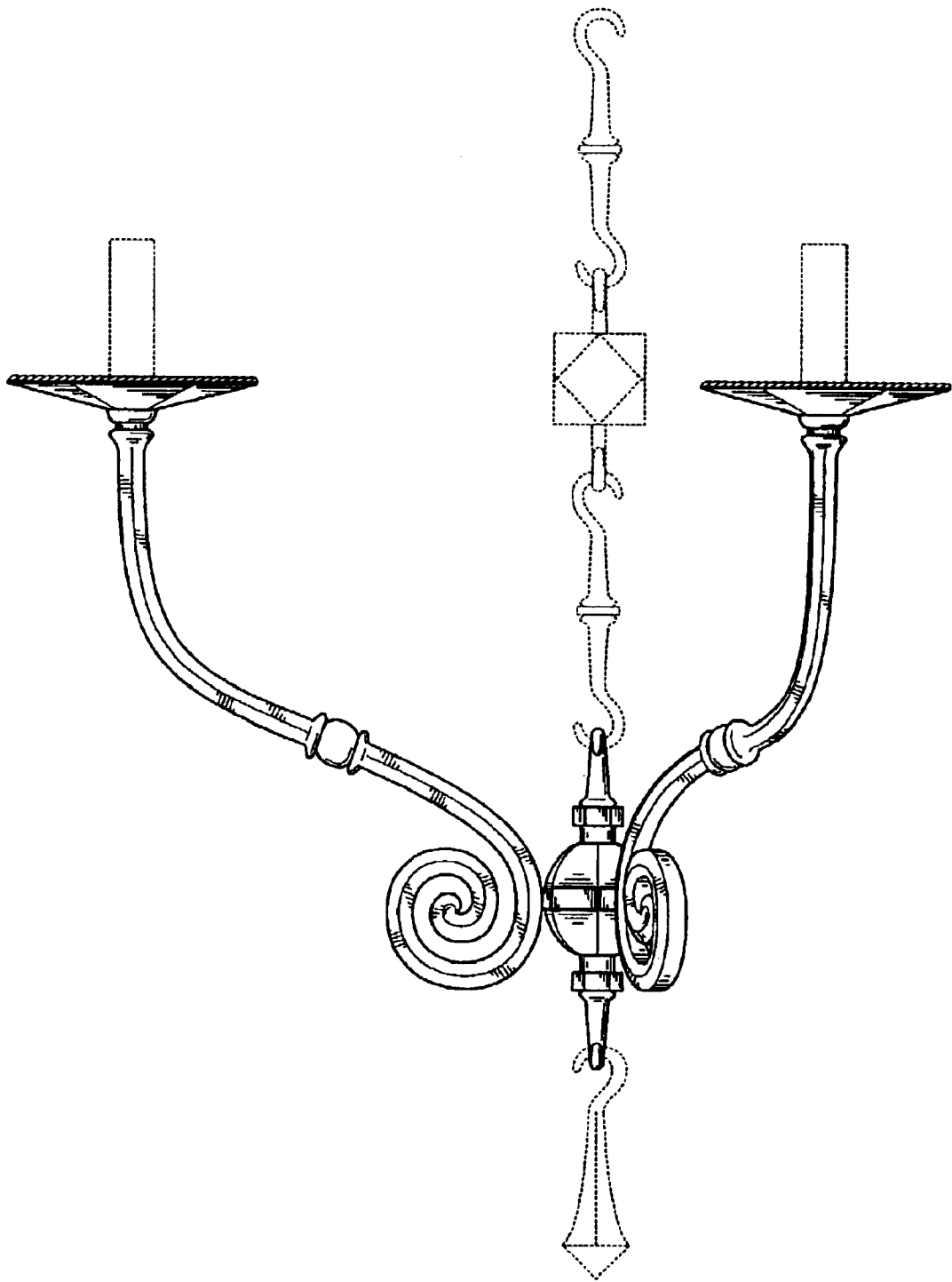


FIG. 4

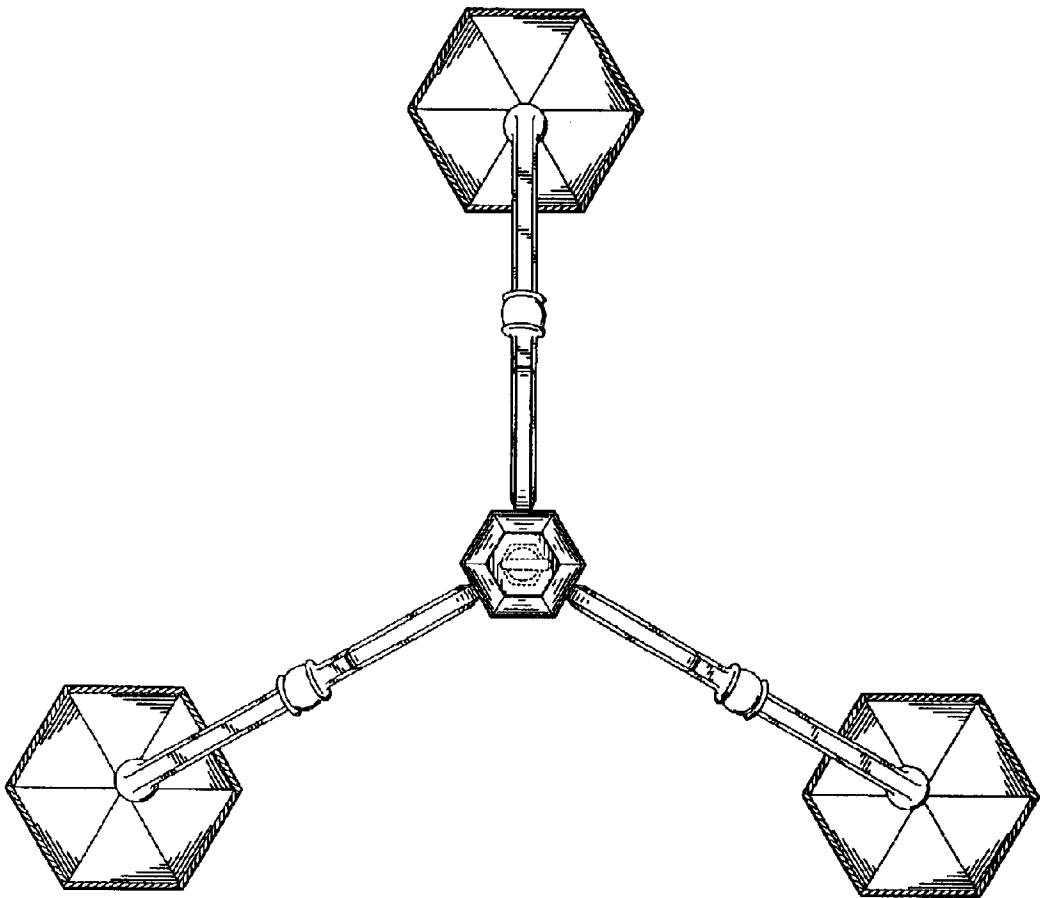


FIG. 5