



(43) International Publication Date  
31 December 2014 (31.12.2014)

(51) International Patent Classification:

H02K 11/00 (2006.01) H02K 7/14 (2006.01)  
H02K 9/22 (2006.01) H02K 9/19 (2006.01)  
H02K 21/22 (2006.01)

(21) International Application Number:

PCT/IB2014/062486

(22) International Filing Date:

20 June 2014 (20.06.2014)

(25) Filing Language:

English

(26) Publication Language:

English

(30) Priority Data:

1311393.1 26 June 2013 (26.06.2013) GB  
1311583.7 27 June 2013 (27.06.2013) GB

(71) Applicant: **PROTEAN ELECTRIC LIMITED**

[GB/GB]; Protean Electric Limited, Silvertree, Unit 10b  
Coxbridge Business Park, Alton Road, Farnham Surrey  
GU10 5EH (GB).

(72) Inventor: **OWEN, Geoffrey**; C/O Protean Electric Limited,

Silvertree, Unit 10B, Coxbridge Business Park, Alton  
Road Farnham Surrey GU10 5EH (GB).

(74) Agent: **HARRISON IP LIMITED**; Northminster Business

Park, York Yorkshire YO26 6QU (GB).

(81) Designated States (unless otherwise indicated, for every

kind of national protection available): AE, AG, AL, AM, AO, AT, AU, AZ, BA, BB, BG, BH, BN, BR, BW, BY, BZ, CA, CH, CL, CN, CO, CR, CU, CZ, DE, DK, DM, DO, DZ, EC, EE, EG, ES, FI, GB, GD, GE, GH, GM, GT, HN, HR, HU, ID, IL, IN, IR, IS, JP, KE, KG, KN, KP, KR, KZ, LA, LC, LK, LR, LS, LT, LU, LY, MA, MD, ME, MG, MK, MN, MW, MX, MY, MZ, NA, NG, NI, NO, NZ, OM, PA, PE, PG, PH, PL, PT, QA, RO, RS, RU, RW, SA, SC, SD, SE, SG, SK, SL, SM, ST, SV, SY, TH, TJ, TM, TN, TR, TT, TZ, UA, UG, US, UZ, VC, VN, ZA, ZM, ZW.

(84) Designated States (unless otherwise indicated, for every

kind of regional protection available): ARIPO (BW, GH, GM, KE, LR, LS, MW, MZ, NA, RW, SD, SL, SZ, TZ, UG, ZM, ZW), Eurasian (AM, AZ, BY, KG, KZ, RU, TJ, TM), European (AL, AT, BE, BG, CH, CY, CZ, DE, DK, EE, ES, FI, FR, GB, GR, HR, HU, IE, IS, IT, LT, LU, LV, MC, MK, MT, NL, NO, PL, PT, RO, RS, SE, SI, SK, SM, TR), OAPI (BF, BJ, CF, CG, CI, CM, GA, GN, GQ, GW, KM, ML, MR, NE, SN, TD, TG).

Published:

— with international search report (Art. 21(3))

(88) Date of publication of the international search report:

13 August 2015

(54) Title: A CONTROL MODULE FOR AN ELECTRIC MOTOR OR GENERATOR

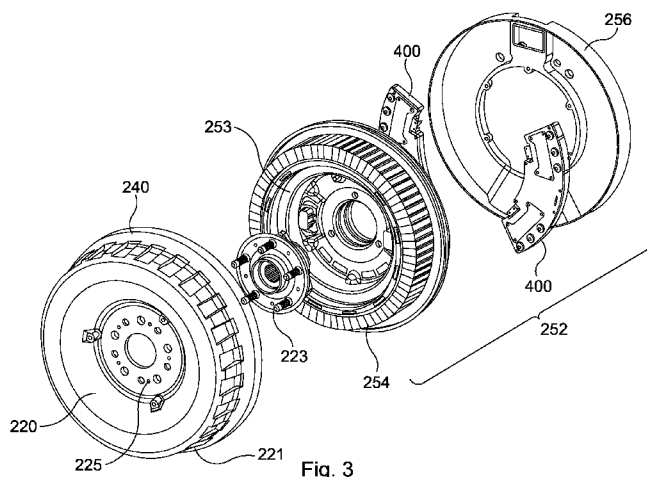


Fig. 3

(57) Abstract: A control module for an electric motor having a stator that includes a first surface, wherein cooling fluid is arranged to flow within the stator for providing cooling to the first surface, the power module comprising a power device having switching elements for controlling current flow in coil windings mounted on the stator; a control device for controlling the operation of the switching devices; a housing with a first side for mounting to the first surface of the stator, wherein the first side of the housing includes an aperture for allowing a portion of the power device to be in contact with the first surface of the stator when the housing is mounted to the first surface for providing cooling to the switching elements, wherein the control device is arranged to be mounted in the housing on an opposite side of the power device to the first side of the housing and an elastomer is located over the power device and the control device for providing an electrical insulation barrier over the switches on the power device and electrical components on the control device.



**INTERNATIONAL SEARCH REPORT**

International application No  
PCT/IB2014/062486

**A. CLASSIFICATION OF SUBJECT MATTER**  
 INV. H02K11/00 H02K9/22  
 ADD. H02K21/22 H02K7/14 H02K9/19

According to International Patent Classification (IPC) or to both national classification and IPC

**B. FIELDS SEARCHED**  
 Minimum documentation searched (classification system followed by classification symbols)  
 H02K

Documentation searched other than minimum documentation to the extent that such documents are included in the fields searched

Electronic data base consulted during the international search (name of data base and, where practicable, search terms used)  
 EPO-Internal, WPI Data

**C. DOCUMENTS CONSIDERED TO BE RELEVANT**

Category*	Citation of document, with indication, where appropriate, of the relevant passages	Relevant to claim No.
Y	JP 2008 253041 A (TOYOTA MOTOR CORP) 16 October 2008 (2008-10-16) paragraphs [0017] - [0019]; figure 1 -----	1-8
Y	EP 2 357 361 A1 (MITSUBISHI HEAVY IND LTD [JP]) 17 August 2011 (2011-08-17) paragraphs [0014], [0035]; figures 3,4 -----	1-4,6-8
Y	GB 2 494 797 A (PROTEAN ELECTRIC LTD [GB]) 20 March 2013 (2013-03-20) abstract; figure 5 -----	5
A	JP 2003 274606 A (DENSO CORP; TOYOTA MOTOR CORP) 26 September 2003 (2003-09-26) abstract; figure 1 -----	1-4,6-8
A	JP 2003 274606 A (DENSO CORP; TOYOTA MOTOR CORP) 26 September 2003 (2003-09-26) abstract; figure 1 -----	1-8
A	JP H11 225459 A (MATSUSHITA ELECTRIC IND CO LTD) 17 August 1999 (1999-08-17) abstract -----	1-3,7,8

Further documents are listed in the continuation of Box C.

See patent family annex.

\* Special categories of cited documents :

- "A" document defining the general state of the art which is not considered to be of particular relevance
- "E" earlier application or patent but published on or after the international filing date
- "L" document which may throw doubts on priority claim(s) or which is cited to establish the publication date of another citation or other special reason (as specified)
- "O" document referring to an oral disclosure, use, exhibition or other means
- "P" document published prior to the international filing date but later than the priority date claimed

- "T" later document published after the international filing date or priority date and not in conflict with the application but cited to understand the principle or theory underlying the invention
- "X" document of particular relevance; the claimed invention cannot be considered novel or cannot be considered to involve an inventive step when the document is taken alone
- "Y" document of particular relevance; the claimed invention cannot be considered to involve an inventive step when the document is combined with one or more other such documents, such combination being obvious to a person skilled in the art
- "&" document member of the same patent family

Date of the actual completion of the international search  28 April 2015	Date of mailing of the international search report  08/05/2015
--	--

Name and mailing address of the ISA/ European Patent Office, P.B. 5818 Patentlaan 2 NL - 2280 HV Rijswijk Tel. (+31-70) 340-2040, Fax: (+31-70) 340-3016	Authorized officer  Ganchev, Martin
--	---

# INTERNATIONAL SEARCH REPORT

Information on patent family members

International application No PCT/IB2014/062486
---

Patent document cited in search report	Publication date	Publication date	Patent family member(s)	Publication date
JP 2008253041	A	16-10-2008	NONE	
-----				
EP 2357361	A1	17-08-2011	EP 2357361 A1	17-08-2011
			JP 5412098 B2	12-02-2014
			JP 2010133366 A	17-06-2010
			US 2011095659 A1	28-04-2011
			WO 2010064565 A1	10-06-2010
-----				
GB 2494797	A	20-03-2013	CN 103840720 A	04-06-2014
			GB 2494797 A	20-03-2013
			WO 2014080361 A2	30-05-2014
-----				
JP 2003274606	A	26-09-2003	JP 3774862 B2	17-05-2006
			JP 2003274606 A	26-09-2003
-----				
JP H11225459	A	17-08-1999	NONE	
-----				