



(72) MOULIN, MICHEL, CH

(71) KODAK POLYCHROME GRAPHICS COMPANY LTD., US

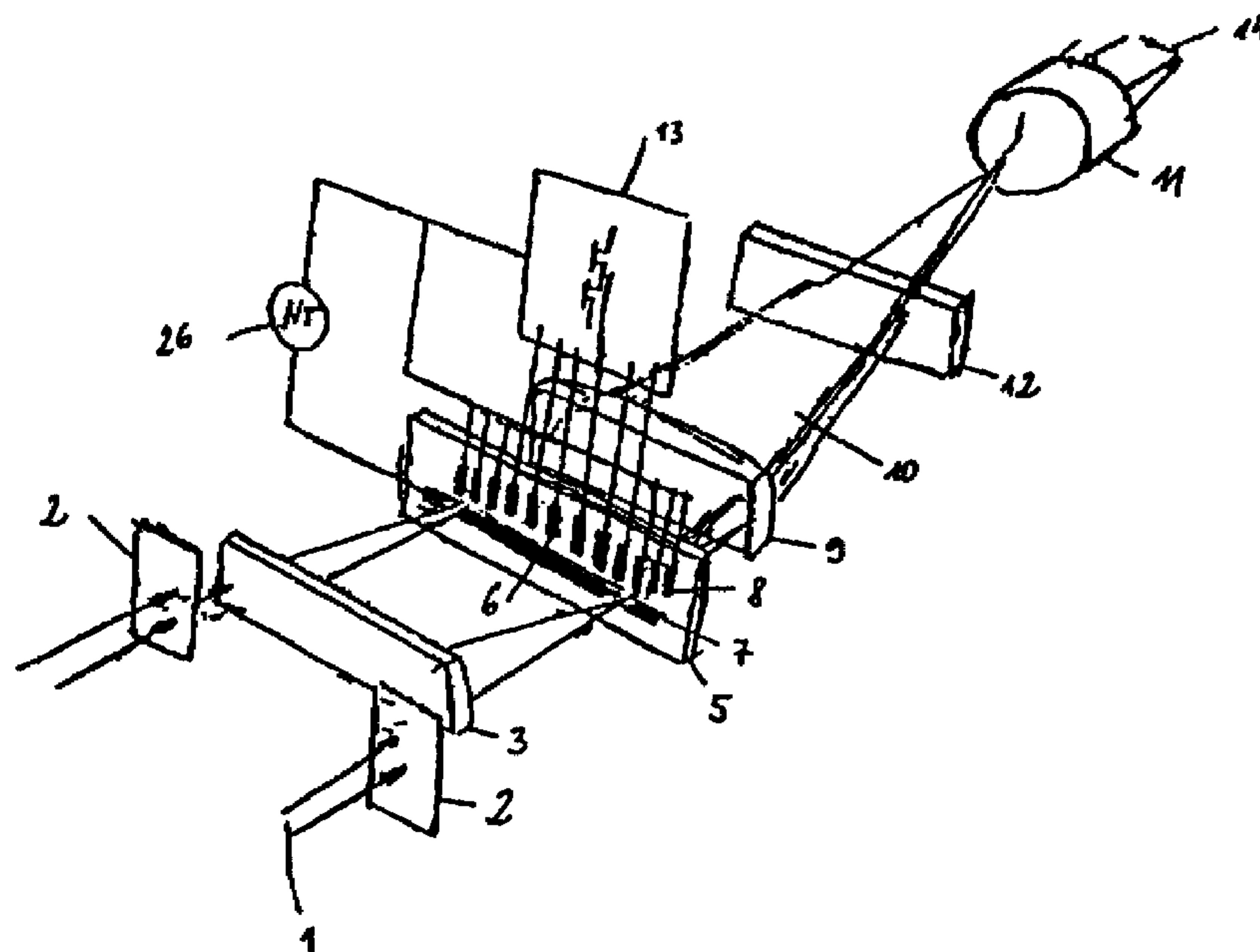
(51) Int.Cl.⁷ G02F 1/03

(30) 1999/03/12 (99104942.0) EP

(30) 1999/04/13 (09/290,829) US

(54) **DISPOSITIF D'IMAGERIE ET PROCEDE POUR ELIMINER DES
EFFETS DE BORD DANS DES MODULATEURS SPATIAUX**

(54) **IMAGING DEVICE AND METHOD FOR ELIMINATING EDGE
EFFECTS IN SPATIAL MODULATORS**



(57) L'invention concerne un dispositif d'imagerie comportant un modulateur (5) électro-optique pour moduler des faisceaux laser incidents; un groupement d'électrodes adjacentes comportant un groupe d'électrodes (6) d'imagerie adressées en fonction d'informations d'image; un moyen (2) pour éclairer une zone légèrement supérieure à la largeur desdites électrodes d'imagerie; et une ou plusieurs électrodes (8) supplémentaires situées de chaque côté dudit groupe d'électrodes d'imagerie pour diriger en permanence des faisceaux marginaux parasites vers un moyen arrêtant la lumière (11), de sorte que seule la lumière provenant des électrodes d'imagerie puisse atteindre un milieu photosensible.

(57) An imaging device comprising an electro-optic modulator (5) for modulating incident laser beams; an array of adjacent electrodes comprising a group of imaging electrodes (6) addressed in accordance with image information; means (2) to illuminate an area slightly larger than the width of said imaging electrodes; and one or more additional electrodes (8) located on each side of said group of imaging electrodes to permanently direct extraneous marginal beams to light-stop means so that only the light emerging from the imaging electrodes is allowed to reach a light sensitive medium (11).



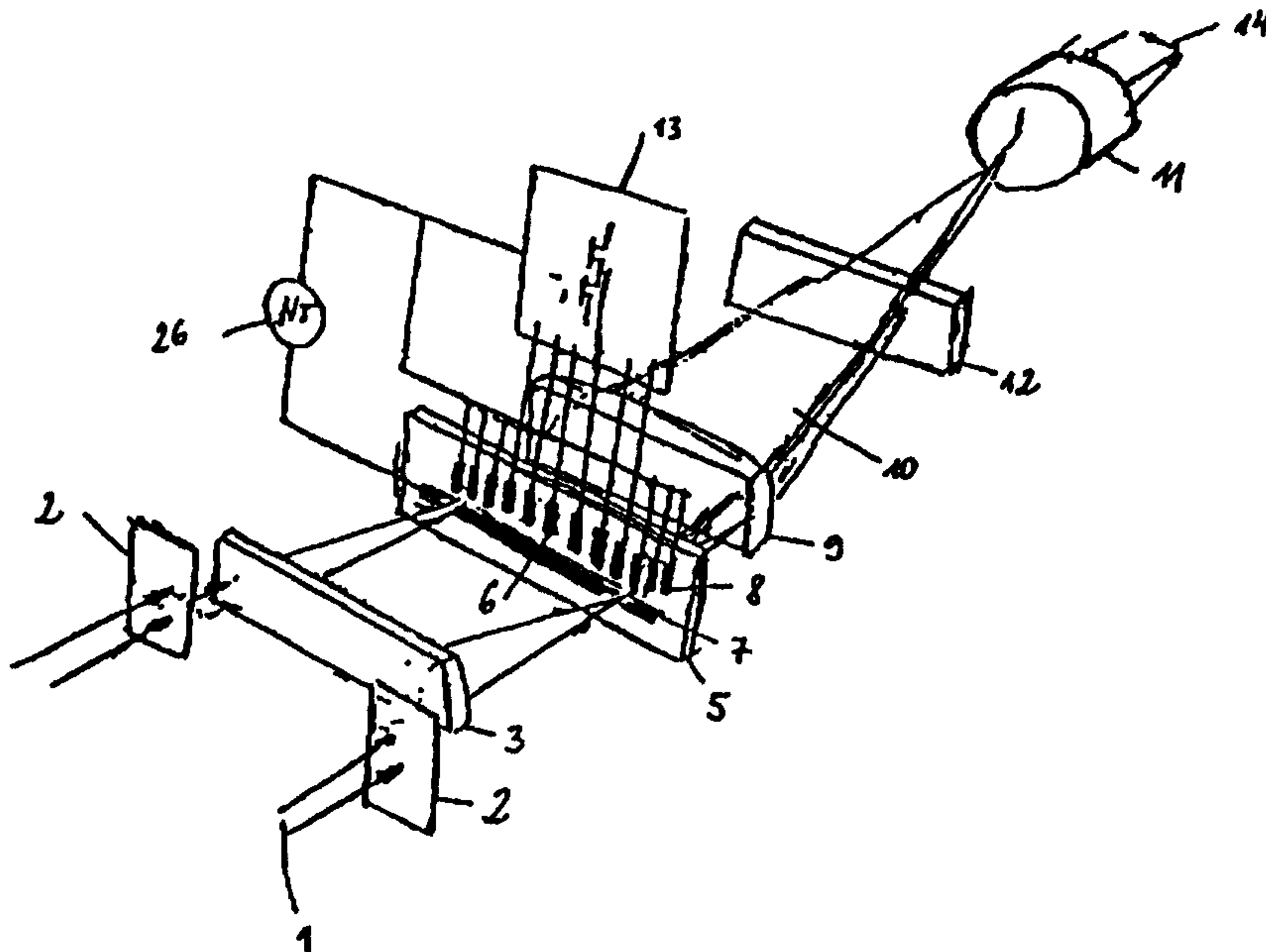
PCT

WORLD INTELLECTUAL PROPERTY ORGANIZATION
International Bureau

INTERNATIONAL APPLICATION PUBLISHED UNDER THE PATENT COOPERATION TREATY (PCT)

(51) International Patent Classification ⁷ : G02F 1/03	A1	(11) International Publication Number: WO 00/54096 (43) International Publication Date: 14 September 2000 (14.09.00)
<p>(21) International Application Number: PCT/US00/06272</p> <p>(22) International Filing Date: 10 March 2000 (10.03.00)</p> <p>(30) Priority Data: 99104942.0 12 March 1999 (12.03.99) EP 09/290,829 13 April 1999 (13.04.99) US</p> <p>(71) Applicant: KODAK POLYCHROME GRAPHICS COMPANY LTD. [US/US]; 401 Merritt 7, Norwalk, CT 06851 (US).</p> <p>(72) Inventor: MOULIN, Michel; Rue d'En Haut 16, CH-1143 Apples (CH).</p> <p>(74) Agent: SORELL, Louis, S.; Baker Botts LLP, 30 Rockefeller Plaza, New York, NY 10112-0228 (US).</p>	<p>(81) Designated States: AE, AL, AM, AT, AT (Utility model), AU, AZ, BA, BB, BG, BR, BY, CA, CH, CN, CR, CU, CZ, CZ (Utility model), DE, DE (Utility model), DK, DK (Utility model), DM, DZ, EE, EE (Utility model), ES, FI, FI (Utility model), GB, GD, GE, GH, GM, HR, HU, ID, IL, IN, IS, JP, KE, KG, KP, KR, KZ, LC, LK, LR, LS, LT, LU, LV, MA, MD, MG, MK, MN, MW, MX, NO, NZ, PL, PT, RO, RU, SD, SE, SG, SI, SK, SK (Utility model), SL, TJ, TM, TR, TT, TZ, UA, UG, UZ, VN, YU, ZA, ZW, ARIPO patent (GH, GM, KE, LS, MW, SD, SL, SZ, TZ, UG, ZW), Eurasian patent (AM, AZ, BY, KG, KZ, MD, RU, TJ, TM), European patent (AT, BE, CH, CY, DE, DK, ES, FI, FR, GB, GR, IE, IT, LU, MC, NL, PT, SE), OAPI patent (BF, BJ, CF, CG, CI, CM, GA, GN, GW, ML, MR, NE, SN, TD, TG).</p> <p>Published <i>With international search report.</i></p>	

(54) Title: IMAGING DEVICE AND METHOD FOR ELIMINATING EDGE EFFECTS IN SPATIAL MODULATORS



(57) Abstract

An imaging device comprising an electro-optic modulator (5) for modulating incident laser beams; an array of adjacent electrodes comprising a group of imaging electrodes (6) addressed in accordance with image information; means (2) to illuminate an area slightly larger than the width of said imaging electrodes; and one or more additional electrodes (8) located on each side of said group of imaging electrodes to permanently direct extraneous marginal beams to light-stop means so that only the light emerging from the imaging electrodes is allowed to reach a light sensitive medium (11).

**IMAGING DEVICE AND METHOD
FOR ELIMINATING EDGE EFFECTS
IN SPATIAL MODULATORS**

BACKGROUND OF INVENTION

5 1. **Field of the invention**

This invention generally relates to the exposure of light on a light-sensitive medium involving a spatial modulator to produce successive columns of individually controlled light spots and particularly relates to electro-optic modulators used in an imaging device for modulating incident light beams, which light is then allowed to reach the light-sensitive medium.

2. **Description of the prior art**

The electro-optic effect, in general, permits extremely rapid and direct modulation of a light phase front with an electronic drive signal.

Various types of electro-optic modulators have been proposed, such as described, for example, in US-A-4 281 904, US-A-4 316 196, US-A-4 804 251, and US-A-4 746 942.

According to U-S-A-4 281 904, a TIR (total internal reflection) type of electro-optic device which has each electrode individually addressed is utilized. The operation of a TIR modulator depends on the effect of applying a voltage to a symmetrical electrode pattern to induce a change of the refractive index in an electro-optic element in the region of the surface of the element where the light is totally internally reflected. The electrode pattern is deposited on the surface of the element as an array with the electrodes being arranged parallel to the incident light beam. A voltage is applied to the electrode pattern and induces an electric field adjacent to the surface which alters the refractive index of the element. Thus, incident phase fronts are modulated by the TIR modulator to produce modulated light phase

fronts. The electrodes within the electrode pattern are selectively activated in accordance with the desired image pattern.

TIR modulators are also used in US-A-4 639 073 issued to Yip et al. and US-A-4 554 561 issued to Daniele et al.

5 Another electro-optic modulator is the PLZT modulator, which is shown, e.g. in US-A-4 746 942 to Moulin and US-A-4 316 196 to Jacobs. The PLZT modulator has a plurality of interleaved electrodes, which, together with a crossed polarizer, forms an array of very small light gates. If a voltage is applied to the electrodes of the PLZT modulator, an electric field is created thus shifting the relative
10 phases of light polarized parallel and perpendicular to the applied field. The plane of polarization of light transmitted to the zones between the electrodes is rotated upon the application of proper voltages to the electrodes.

Hence, electro-optic modulators are used to produce successive columns of individually controlled light spots. Images are produced on the
15 light-sensitive medium by a succession of adjoining bands of spots to produce text and graphics on a film, a printing plate or other medium on which images are to be produced.

In order to avoid any noticeable discontinuity between adjacent bands, it is not only necessary that the relative displacement of the bands and the
20 light-sensitive medium exactly correspond to the size of a column of spots, but also that all the spots be substantially identical in form and intensity. In addition, it is preferred that only the light emerging from the independently selected spot-producing elements of the electro-optic modulator reach the light-sensitive medium at the imaging plane.

25 To achieve desired uniformity between selected spots, all the selectable elements or gates of the modulator must be uniformly illuminated. This can better be achieved by illuminating an area larger than the zone occupied by the selectable modulator elements in order to compensate for the decrease in intensity of the incident light at the edges of the light phase front. It is then desirable to prevent the extraneous
30 radiation overlapping said zone because of misalignment or for other reasons from reaching the light-sensitive medium.

In general, multi-electrodes modulating systems associated with a light sensitive medium for imaging do not allow light (or other radiation) to reach the medium in the absence of energizing selected electrodes. In these systems, the light intensity of the spots reaching the medium is obtained by rays that have incurred a loss of energy caused by the modulating system as they pass through the modulator material. They can generally produce good image contrast, but at the expense of efficiency. Such systems may include deformable mirrors, crossed polarizers, deflection by diffraction. For imaging supports requiring higher radiant energy such as heat-sensitive polymer printing plates, it is desirable to lose as little energy as possible through the modulator, even at the expense of a loss of contrast. This can be achieved by letting light beams, unimpeded by the modulator, reach the sensitive medium. In this approach, the modulator electrodes are normally inactivated to allow all the energy from the incident light beams to reach the medium. Any activated electrode will block the beam it controls. In other words, all the electrodes are activated when no light should reach the medium. In this alternative, the illuminated area reaching the modulator should be exactly confined to the imaging electrode area of the modulator to avoid the influence of leakage of marginal rays that would expose the light-sensitive medium. The uniformity in illumination or exposure of the light-sensitive medium would be negatively affected by these marginal rays reaching the active zone of the medium at its edges.

The insertion of a mask to limit the illumination to the active zone, although simple in appearance, presents difficulties of implementation and the marginal rays adjacent to the ends of the imaging zone are affected by diffraction by the mask edges.

25

Summary of the invention

One object of the invention is to provide an imaging device and method for eliminating edge effects in spatial modulators.

Another object of the invention is to provide an electro-optic modulator which is highly efficient, results in uniform images on the light-sensitive medium and yet is relatively inexpensive.

30

It is another object of the invention to provide an improved electro-optic modulator and method for modulating light.

It is also an object of the invention to improve the performance and utility of electro-optical modulators.

5 The present invention seeks to overcome the foregoing drawbacks by providing an electro-optic modulator comprising electronic masking means to prevent stray light rays from reaching the light sensitive media. The provision of the masking means at or inside the modulator minimizes the distance of the masking means to the plane of modulation. Having the masking means in the same or close to the same
10 plane as the electrodes eliminates any diffraction effect that may be caused by having mechanical masking means upstream from the modulator.

In an embodiment according to the present invention, said masking means is a permanent mask introduced into the modulator. This permanent mask can be a sheet or film or the like for masking extraneous light rays.

15 According to a preferred embodiment, the masking means comprises one or more additional electrodes located on one or both sides of the imaging electrodes of the modulator. The additional electrodes permanently direct extraneous marginal beams to light-stop means so that only the light emerging from the imaging electrodes is allowed to reach the light-sensitive medium. This arrangement has the
20 further advantage that the masking means in the form of the additional electrodes is in the same plane as the imaging electrodes. Therefore, any diffraction effects are avoided. The manufacturing of this arrangement is easy and inexpensive since the imaging electrodes and the additional electrodes can be manufactured in one step in one layer of the modulator.

25 It is also preferred that the modulator be an electro-optic modulator such as a TIR modulator or a PLZT modulator.

From another aspect thereof, the subject invention resides in an imaging device comprising an electro-optical modulator for modulating incident light beams; said device comprising an array of adjacent electrodes comprising a group of
30 imaging electrodes addressed in accordance with image information; means to illuminate an area slightly larger than the width of said imaging electrodes; and one or

more additional electrodes located on the modulator on one or both sides of said group of imaging electrodes to permanently direct extraneous marginal beams to light-stop means so that only the light emerging from the imaging electrodes group is allowed to reach the light-sensitive medium.

5 In another aspect of the present invention, the imaging method of recording information on a light-sensitive medium comprises the steps of forming a light beam, projecting the light beam into a modulator comprising a group of imaging electrodes and masking means, wherein the light beam is projected into the modulator such that the illuminated area is larger than the area occupied by the imaging
10 electrodes, selectively energizing the imaging electrodes in accordance with the desired image, and directing the modulated light beams emerging from the modulator to the light sensitive medium.

In the present specification, "light" is typically, but without limitation UV, visible or IR radiation. Other objects, features and advantages of the invention
15 will be apparent to those skilled in the art upon review of the following detailed description and drawings which show by way of illustration, and not limitation, preferred embodiments of the invention.

Brief description of the drawings

The invention will be further explained with reference to the drawings.
20 In the drawings, same reference numbers represent identical or similar components.

Fig. 1 illustrates a schematic representation of an assembly according to the present invention comprising a PLZT modulator;

Fig. 2 illustrates the implementation of the present invention;

Fig. 3 illustrates an alternative embodiment of the present invention
25 using a TIR modulator;

Fig. 4 illustrates the blocking of extraneous light rays according to the present invention; and

Fig. 5 illustrates a partial circuit schematic showing the electrodes.

These figures, which are idealized, are not to scale and are intended to be merely illustrative and non-limiting.

Description of the preferred embodiments

In the following, the term "height" describes the length of a column of dots produced by the assembly of imaging electrodes and the term "width" describes the thickness of a slice of dots generally of the order of 1 micron on the medium.

Figs. 1 and 2 of the drawings shows a schematic representation of an assembly according to a first preferred embodiment of the present invention. According to this embodiment, a PLZT modulator is utilized. The collimated rays 1 of light incident on the modulator 5 are first blocked at both sides of the illumination zone by means of a mask 2. The remaining collimated rays pass the lens 3 and are thus directed to the surface of the modulator 5. Other suitable means to direct the remaining light to the surface of the modulator, such as mirrors or the like will be apparent to those skilled in the art. The modulator 5 blocks selected ones of the light rays, as it will be explained in greater detail below. The beams of light 10 emerging from the modulator pass a lens 9 or other similar means as necessary and a polarizer 12 and finally reach an objective 11. On the other side of the objective, the image 14 can be obtained.

The modulator 5 comprises a first group 6 of adjacent electrodes which are the imaging electrodes. On each side of the modulating imaging group of electrodes 6, additional electrodes 8 are located causing extraneous light rays 15 to be blocked downstream. The electrodes 6 and 8 are preferably arranged parallel to each other and, adjacent to these electrodes, a common electrode 7 is provided. The additional electrodes 8 are connected to a voltage source 26 in order to energize the electrodes with a voltage high enough to block the extraneous light rays 15. The group of imaging electrodes 6 is supplied with control voltages via a driver circuit 13. Thus, each of the imaging electrodes can be controlled or selected independently from the other imaging electrodes, thus allowing control of the modulator in accordance with the desired image.

Fig. 2 schematically shows how the extraneous light rays 15 are blocked. The thin sheet-like bundle of rays 1 produced by a laser and associated optics is first limited by a mask 2 to a width l_m but still covers more than the total width of the imaging electrodes. Thus, not only the useful imaging zone defined by the imaging electrodes 6 is illuminated but also a certain area on both sides of the imaging electrodes where the additional electrodes are provided. It illuminates an area extending beyond the width l_u of imaging electrodes group 6 by overlapping rays covering section e on each side of the imaging electrodes. The thickness of the bundle of rays falls within the thickness of the modulator elements but its width extends beyond the width of their assembly represented by l_u+2e . On each side of the modulating imaging group of electrodes 6 are located additional electrodes 8 to cause extra marginal light rays 15 to be blocked downstream. Due to this structure, an area larger than the zone occupied by the imaging electrodes is illuminated resulting in a uniform illumination of the imaging electrodes of the modulator. The portion of the light phase front reaching the light-sensitive medium has a substantially uniform intensity whereas the edges of the light phase front illuminate the additional electrodes. This resulting extraneous radiation is however prevented from reaching the light-sensitive medium by the provision of the additional electrodes.

In the case where a PLZT modulator is used, the added electrodes 8 are connected to a common voltage control 26 (Fig. 5). The field induced by this voltage interact with the inputted radiation to block its passage beyond the useful imaging zone. This is represented in Fig. 2 where it is shown that the rays 15, emerging from the electrodes 8 are blocked by polarizer 12 at location 12' independently of the operation of imaging electrodes 6.

Fig. 3 illustrates a second embodiment of the present invention utilizing a TIR modulator. These modulators are well-known in the art, they operate to selectively deflect or bend high intensity beams from the laser. They depend on the effect of applying a voltage to an electrode pattern to induce change of the refractive index in an electro-optic element in the region of the surface of the element where the light is totally internally reflected. The emerging beams are diffracted into a series of orders. In general in images based on this system, rays of zero or low orders are

prevented from reaching the light sensitive medium in the recording plane by a stop. The higher orders are focussed to form an image of the selected spots. In the preferred embodiment of the invention, only the zero order beams are allowed to reach the recording plane with a minimal loss of energy. To obtain blank areas at the imaging plane, the electrodes corresponding to these areas are activated, thus causing
5 practically all the light energy emerging from the modulator to be concentrated in the higher order of the diffracted beams which are prevented from reaching the recording plane by a mask.

Referring to Fig. 3, the collimated light beams emerging from a laser
10 and associated optics to form a sheet-like bundle are shown at 1. Their width limited by baffles 2, is large enough to fill the full width of the modulator 16. The electrodes of the modulator are divided into a first group of imaging electrodes individually subjected to voltage variations for the projection of individually selected light spots located in zone 22 (Fig. 5), and a second group of electrodes located in zones 21 and
15 21' on each side of the first group, permanently energized through common circuit 26 in order to prevent extraneous "noise" rays extending beyond the imaging electrodes to reach the imaging plane. These rays shown at 23, after emerging from field lens 28, are blocked by mask 24 located at the focus of the field lens. This results in a uniform illumination of the imaging electrodes without allowing extraneous light rays to reach
20 the light-sensitive medium.

Fig. 4 illustrates in more detail how the extraneous light rays are blocked according to the present invention. A bundle of rays 32 is obtained by blocking the sheet-like bundle of light rays 30 by means of mechanical blocking means, such as a mask 2. The additional electrodes provided at the modulator 34
25 further reduce the illumination zone, so that only the light rays indicated by reference numeral 36 reach the imaging electrodes.

According to the invention, the imaging and/or masking electrodes may be shaped and located as shown in Fig. 5. Other acceptable configurations will be apparent to those skilled in the art. One arrangement of the electrodes are shown, e.g.
30 in US-A-4 746 942, incorporated herein by reference. The electrodes are joined into two conducting blocks each comprising a plurality of electrode fingers or arms (6,6',

8,8'). The arms (6,8') of one block of electrodes are interleaved between adjacent arms (6',8') of the other block. The arms of the conducting blocks are divided into the imaging group 22 thus comprising two sets of adjacent electrodes, and the two sets of masking electrodes 21, 21' provided on both sides of the imaging group. The electrode arms 8 of the masking group are directly connected to a common voltage control 26, whereas control means, such as switches 27, are provided at the electrodes of the first set of electrodes of the imaging group. Thus, each electrode of the first set can be separately supplied with the control voltage.

It is to be understood that the exemplary embodiments in no way limit the scope of the invention. Other modifications of the invention will be apparent to those skilled in the art in view of the foregoing descriptions. Accordingly, the invention is not limited to the described embodiments and all alternative modifications and variations of the present invention which fall within the spirit and scope of the appended claims are covered.

Claims

1. An electro-optic modulator comprising:
a group of imaging electrodes, said group comprising
a first set of adjacent electrodes connected to a driving means so that
5 each of the electrodes can separately be supplied with a driving voltage; and
a second set of electrodes connected to a different voltage level; and
means for masking extraneous light rays.
2. The modulator as defined in claim 1, wherein said masking means are
provided at one or both sides of the group of imaging electrodes.
- 10 3. The modulator as defined in claim 1, wherein said masking means is a
permanent mask introduced into the modulator.
4. The modulator according to claim 3, wherein said permanent mask is
in or close to the plane of the imaging electrodes.
5. The modulator as defined in claim 1 or 2, wherein the masking means
15 are provided with third and fourth sets of electrodes, each of the electrodes of the
third set being connected to a common voltage level and each of the electrodes of the
fourth set being connected to the same or another common voltage level, said third
set of electrodes being located at one side of the imaging electrodes and said fourth
set of electrodes being located on the other side of said imaging electrodes.
- 20 6. The modulator as defined in any of the preceding claims, wherein said
modulator is a PLZT modulator.
7. The modulator as defined in any of the preceding claims, wherein said
modulator is a total internal reflection (TIR) type modulator.

8. An imaging device for forming images, said device comprising:
a laser source emitting light;
a modulator as defined in any of the preceding claims, said modulator
modulating said light emitted from said laser source;
5 means for directing said light from said laser source to said modulator;
and
means for directing said modulated light from said modulator to a light
sensitive medium.
9. An imaging method for recording information on a light sensitive
10 medium, said method comprising the steps of forming a light beam, projecting the
light beam into a modulator comprising a group of imaging electrodes and masking
means, wherein the light beam is projected into the modulator such that the
illuminated area is larger than the area occupied by the imaging electrodes,
selectively energizing the imaging electrodes in accordance with the desired image,
15 and directing the modulated light beams emerging from the modulator to the light
sensitive medium.
10. A method as defined in claim 9, in which the masking means
comprises electrodes adjacent to the imaging electrodes, wherein the masking
electrodes are continuously energized in order to block extraneous light.
- 20 11. A method as disclosed in claim 9, in which the masking means
comprises a permanent mask introduced into the modulator.
12. An electro-optic modulator comprising:
an electro-optic substrate; and
an electrode array mounted on said substrate said electrode array
25 having electrode portions extending beyond the imaging area of said modulator.

13. A method for modulating a light beam produced by a light source, the method comprising the steps of:
- mounting an electrode array on an electro-optic substrate; and
 - extending said electrode array beyond the modulating region of said
- 5 modulator, wherein said extended portions of said electrode array diffract edge light located outside said modulating region.
14. A method as defined in claim 9 in which the masking means comprises mechanical masking upstream of electronic masking.

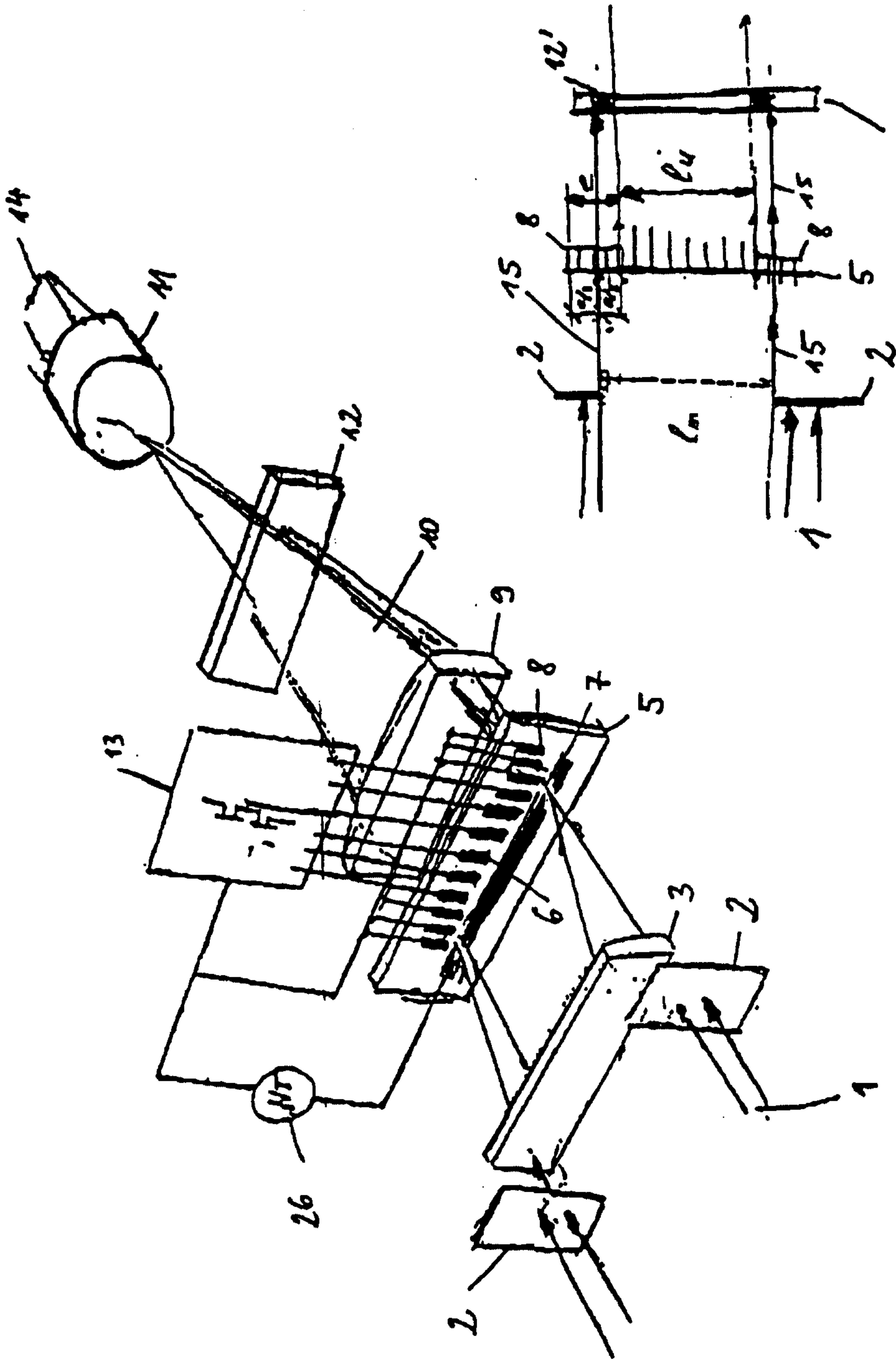


Fig. 1

Fig. 2

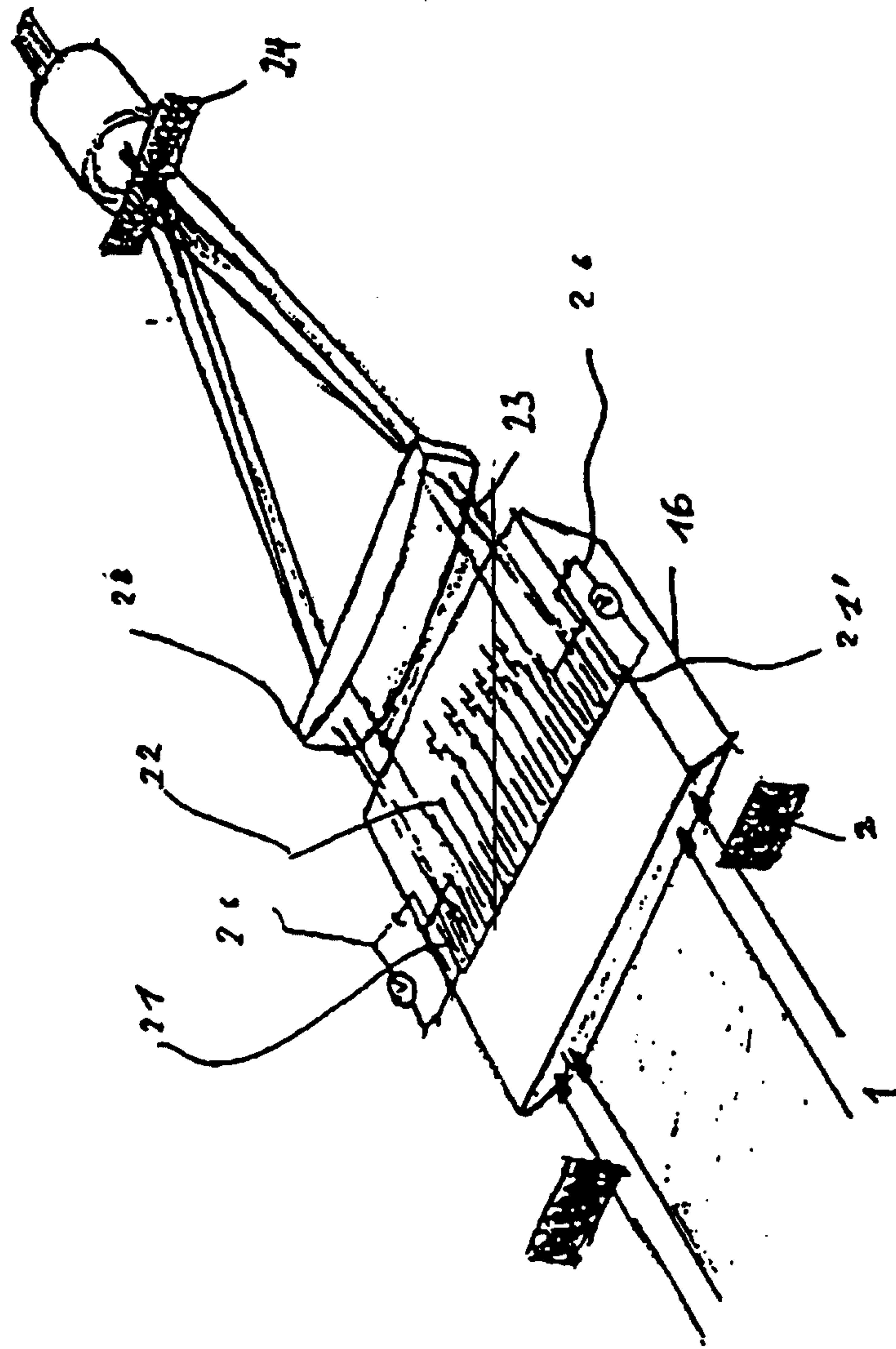


Fig. 3

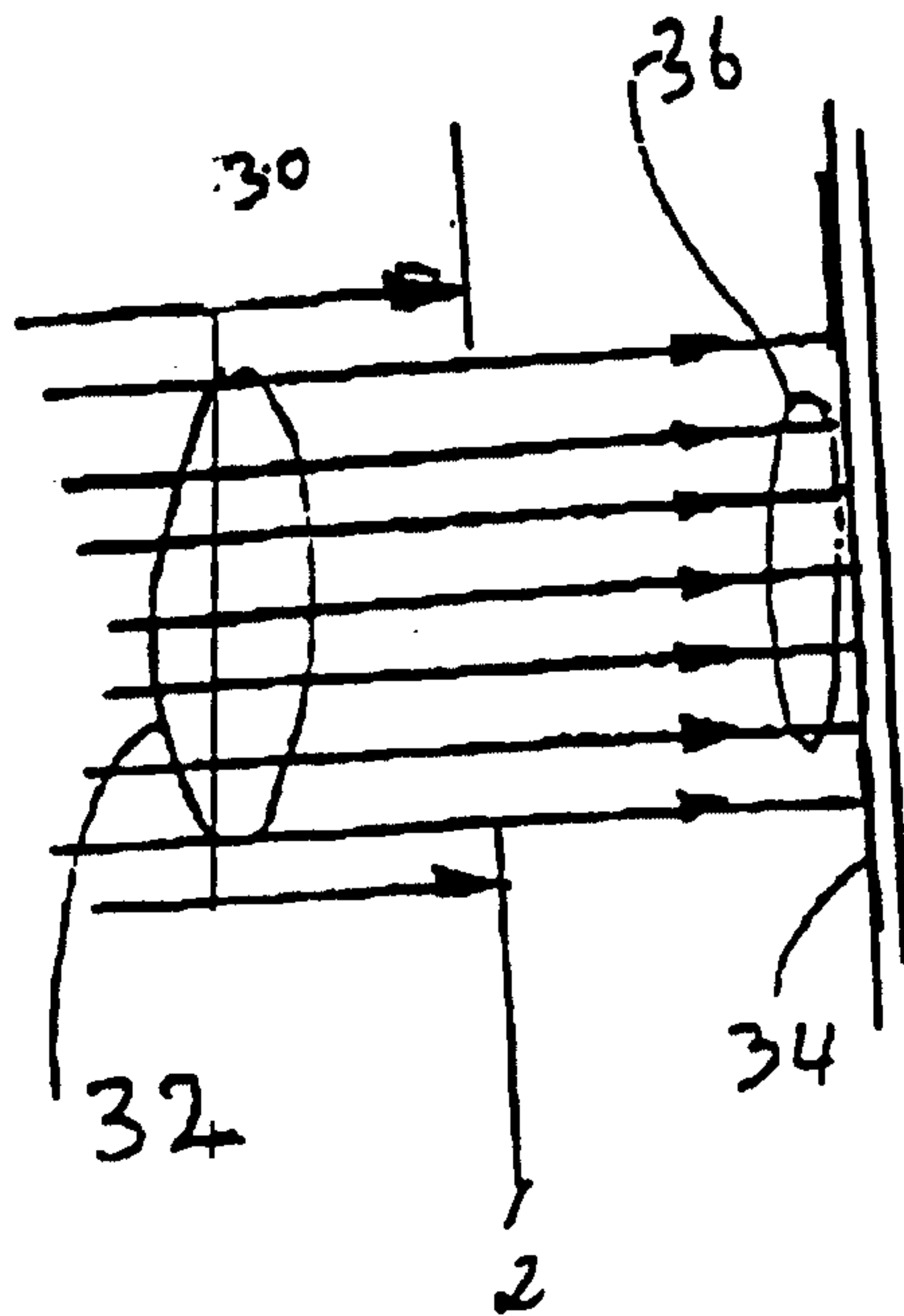


Fig. 4

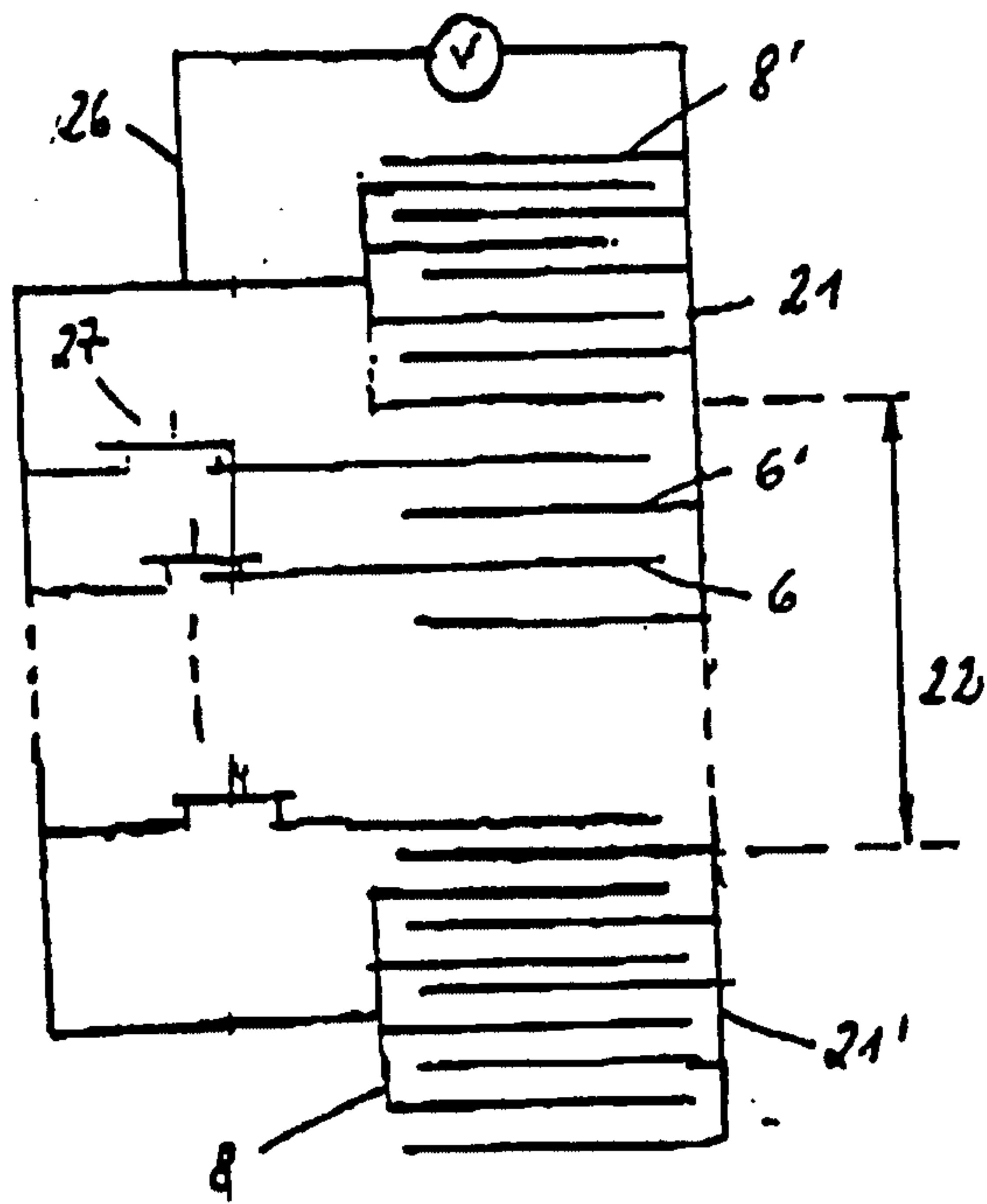


Fig. 5

