

(19) World Intellectual Property Organization  
International Bureau



(43) International Publication Date  
9 December 2010 (09.12.2010)

PCT

(10) International Publication Number  
**WO 2010/141721 A3**

(51) International Patent Classification:  
F21V 17/00 (2006.01) F21Y 101/02 (2006.01)  
F21V 29/00 (2006.01)

(74) Agent: MITCHELL, Christopher A.; Butzel Long, 350  
S. Main Street, Ste. 300, Ann Arbor, MI 48104 (US).

(21) International Application Number:  
PCT/US2010/037260

(81) Designated States (unless otherwise indicated, for every  
kind of national protection available): AE, AG, AL, AM,  
AO, AT, AU, AZ, BA, BB, BG, BH, BR, BW, BY, BZ,  
CA, CH, CL, CN, CO, CR, CU, CZ, DE, DK, DM, DO,  
DZ, EC, EE, EG, ES, FI, GB, GD, GE, GH, GM, GT,  
HN, HR, HU, ID, IL, IN, IS, JP, KE, KG, KM, KN, KP,  
KR, KZ, LA, LC, LK, LR, LS, LT, LU, LY, MA, MD,  
ME, MG, MK, MN, MW, MX, MY, MZ, NA, NG, NI,  
NO, NZ, OM, PE, PG, PH, PL, PT, RO, RS, RU, SC, SD,  
SE, SG, SK, SL, SM, ST, SV, SY, TH, TJ, TM, TN, TR,  
TT, TZ, UA, UG, US, UZ, VC, VN, ZA, ZM, ZW.

(22) International Filing Date:  
3 June 2010 (03.06.2010)

(25) Filing Language: English

(26) Publication Language: English

(30) Priority Data:  
12/455,568 3 June 2009 (03.06.2009) US

(71) Applicant (for all designated States except US): MATE-  
RIAL WERKS, LLC [US/US]; 1813 Manatee Lane, Ox-  
ford, MI 48371 (US).

(84) Designated States (unless otherwise indicated, for every  
kind of regional protection available): ARIPO (BW, GH,  
GM, KE, LR, LS, MW, MZ, NA, SD, SL, SZ, TZ, UG,  
ZM, ZW), Eurasian (AM, AZ, BY, KG, KZ, MD, RU, TJ,  
TM), European (AL, AT, BE, BG, CH, CY, CZ, DE, DK,  
EE, ES, FI, FR, GB, GR, HR, HU, IE, IS, IT, LT, LU,  
LV, MC, MK, MT, NL, NO, PL, PT, RO, SE, SI, SK,  
SM, TR), OAPI (BF, BJ, CF, CG, CI, CM, GA, GN, GQ,  
GW, ML, MR, NE, SN, TD, TG).

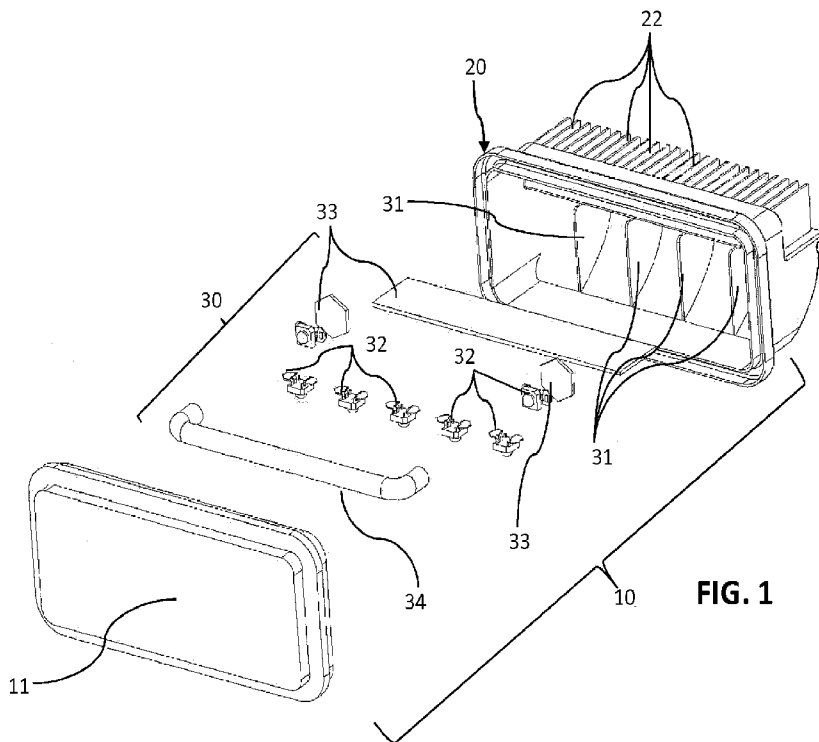
(72) Inventor; and

(75) Inventor/Applicant (for US only): PICKHOLZ,  
Michael, F. [US/US]; 1813 Manatee Lane, Oxford, MI  
48371 (US).

[Continued on next page]

(54) Title: LAMP ASSEMBLY AND METHOD FOR MAKING

(57) Abstract: A lamp assembly, comprising a lens, a lamp housing in the form of an integral metal part, the lamp housing cooperating with the lens to at least partially define a lamp chamber that is generally fluidly isolated from an ambient atmosphere outside the lamp chamber, and at least one lamp provided in the lamp chamber and carried by the lamp housing. The lamp housing itself defines a heat sink exposed to the ambient atmosphere outside the lamp chamber such that heat from the at least one lamp is transmitted to the ambient atmosphere.



WO 2010/141721 A3



**Published:**

**(88) Date of publication of the international search report:**

- *with international search report (Art. 21(3))*
- *before the expiration of the time limit for amending the claims and to be republished in the event of receipt of amendments (Rule 48.2(h))*

17 February 2011

## INTERNATIONAL SEARCH REPORT

International application No.  
**PCT/US2010/037260****A. CLASSIFICATION OF SUBJECT MATTER***F21V 17/00(2006.01)i, F21V 29/00(2006.01)i, F21Y 101/02(2006.01)n*

According to International Patent Classification (IPC) or to both national classification and IPC

**B. FIELDS SEARCHED**

Minimum documentation searched (classification system followed by classification symbols)

IPC: F21V 17/00; F21V 29/00; F21Y 101/02

Documentation searched other than minimum documentation to the extent that such documents are included in the fields searched

Korean utility models and applications for utility models  
Japanese utility models and applications for utility models

Electronic data base consulted during the international search (name of data base and, where practicable, search terms used)

eKOMPASS(KIPO internal) &amp; Keywords: lamp, lens, heat sink, LED

**C. DOCUMENTS CONSIDERED TO BE RELEVANT**

Category*	Citation of document, with indication, where appropriate, of the relevant passages	Relevant to claim No.
X	US 2007-0115656 A1 (CHOU, MING-CHIEH et al.) 24 May 2007 See the abstract; paragraphs [27]-[28], [32]; figures 4,10.	1-10, 13-24
X	US 2007-0076413 A1 (MINGOZZI, FABRIZIO) 05 April 2007 See the abstract; paragraphs [15]-[18]; figures 1-3.	1-10, 13-24
A	US 2008-0175003 A1 (TSOU, TUNG-HSING et al.) 24 July 2008 See the abstract; paragraphs [12]-[13]; figures 1-3.	1-26
A	KR 20-2009-0000762 U (AUGUX CO., LTD.) 23 January 2009 See the abstract; paragraphs [15]-[19]; figures 1-7.	1-26
A	KR 10-0516123 B1 (NURIPLAN CO., LTD.) 21 September 2005 See the abstract; claims 1-5; figures 1-7.	1-26

 Further documents are listed in the continuation of Box C. See patent family annex.

\* Special categories of cited documents:

"A" document defining the general state of the art which is not considered to be of particular relevance

"E" earlier application or patent but published on or after the international filing date

"L" document which may throw doubts on priority claim(s) or which is cited to establish the publication date of citation or other special reason (as specified)

"O" document referring to an oral disclosure, use, exhibition or other means

"P" document published prior to the international filing date but later than the priority date claimed

"T" later document published after the international filing date or priority date and not in conflict with the application but cited to understand the principle or theory underlying the invention

"X" document of particular relevance; the claimed invention cannot be considered novel or cannot be considered to involve an inventive step when the document is taken alone

"Y" document of particular relevance; the claimed invention cannot be considered to involve an inventive step when the document is combined with one or more other such documents, such combination being obvious to a person skilled in the art

"&amp;" document member of the same patent family

Date of the actual completion of the international search

16 DECEMBER 2010 (16.12.2010)

Date of mailing of the international search report

**27 DECEMBER 2010 (27.12.2010)**

Name and mailing address of the ISA/KR

Korean Intellectual Property Office  
Government Complex-Daejeon, 139 Seonsa-ro, Seo-  
gu, Daejeon 302-701, Republic of Korea

Facsimile No. 82-42-472-7140

Authorized officer

SONG, Hyun Chae

Telephone No. 042 481 5786



**INTERNATIONAL SEARCH REPORT**

Information on patent family members

International application No.

**PCT/US2010/037260**

Patent document cited in search report	Publication date	Patent family member(s)	Publication date
US 2007-0115656 A1	24.05.2007	TW 262276 B US 7461951 B2	21.09.2006 09.12.2008
US 2007-0076413 A1	05.04.2007	EP 1772668 A1 IT MI20051874 A1	11.04.2007 06.04.2007
US 2008-0175003 A1	24.07.2008	None	
KR 20-2009-0000762 U	23.01.2009	AU 2008-100403 A4	12.06.2008
KR 10-0516123 B1	21.09.2005	EP 1760393 A1 EP 1760393 B1 US 2007-0047229 A1	07.03.2007 24.03.2010 01.03.2007