

(12) INTERNATIONAL APPLICATION PUBLISHED UNDER THE PATENT COOPERATION TREATY (PCT)

(19) World Intellectual Property Organization
International Bureau



(43) International Publication Date
14 August 2003 (14.08.2003)

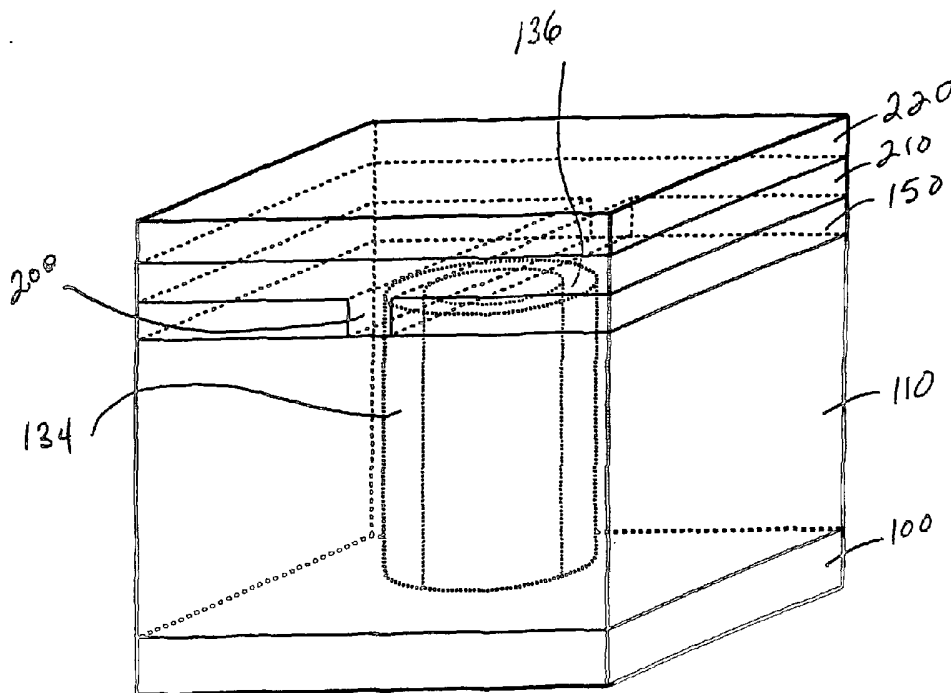
PCT

(10) International Publication Number
WO 03/067633 A3

- (51) International Patent Classification⁷: H01L 47/00, 29/00, 21/00, 21/06, 21/82, 21/8234, 21/8244, 21/20
- (21) International Application Number: PCT/US03/03863
- (22) International Filing Date: 6 February 2003 (06.02.2003)
- (25) Filing Language: English
- (26) Publication Language: English
- (30) Priority Data:
10/072,369 8 February 2002 (08.02.2002) US
10/308,399 2 December 2002 (02.12.2002) US
- (71) Applicant: OVONYX, INC. [US/US]; 1090 Boeing Street, Boise, ID 83705 (US).
- (72) Inventor: MAIMON, Jon; 7867 Sly Fox Lane, Manassas, VA 20112 (US).
- (74) Agents: SCHLAZER, Philip, H. et al.; Energy Conversion Devices, Inc., 2956 Waterview Drive, Rochester Hills, MI 48309 (US).
- (81) Designated States (*national*): CN, ID, IL, JP, KR, SG.
- (84) Designated States (*regional*): Eurasian patent (AM, AZ, BY, KG, KZ, MD, RU, TJ, TM), European patent (AT, BE, BG, CH, CY, CZ, DE, DK, EE, ES, FI, FR, GB, GR, HU, IE, IT, LU, MC, NL, PT, SE, SI, SK, TR).
- Published:
— with international search report
— before the expiration of the time limit for amending the claims and to be republished in the event of receipt of amendments
- (88) Date of publication of the international search report: 16 October 2003

For two-letter codes and other abbreviations, refer to the "Guidance Notes on Codes and Abbreviations" appearing at the beginning of each regular issue of the PCT Gazette.

(54) Title: PROGRAMMABLE RESISTANCE MEMORY ELEMENT AND METHOD FOR MAKING SAME



(57) Abstract: A programmable resistance memory element using a conductive sidewall layer (134) as the bottom electrode. The programmable resistance memory material (210) deposited over the top edge of the bottom electrode, in a slot-like opening of a dielectric material.

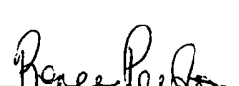


WO 03/067633 A3

INTERNATIONAL SEARCH REPORT

International application No.

PCT/US03/03863

A. CLASSIFICATION OF SUBJECT MATTER		
IPC(7) : H01L 47/00, 29/00, 21/00, 21/06, 21/82, 21/8234, 21/8244, 21/20 US CL : 257/2, 3, 4, 5, 529, 530; 438/95, 102, 128, 130, 238, 381 According to International Patent Classification (IPC) or to both national classification and IPC		
B. FIELDS SEARCHED		
Minimum documentation searched (classification system followed by classification symbols) U.S. : 257/2, 3, 4, 5, 529, 530; 438/95, 102, 128, 130, 238, 381		
Documentation searched other than minimum documentation to the extent that such documents are included in the fields searched NONE		
Electronic data base consulted during the international search (name of data base and, where practicable, search terms used) Please See Continuation Sheet		
C. DOCUMENTS CONSIDERED TO BE RELEVANT		
Category *	Citation of document, with indication, where appropriate, of the relevant passages	Relevant to claim No.
X	US 5,952,671 A (REINBERG et al.) 14 September 1999 (14.09.1999), see entire reference.	10-21
A	US 6,114,713 A (ZAHORIK) 05 September 2000 (05.09.2000), see entire reference.	1-45
A	US 5,998,244 A (WOLSTENHOLME et al) 07 December 1999 (07.12.1999), see entire reference.	1-45
A	US 6,111,264 A (WOLSTENHOLME et al) 29 August 2000 (29.08.2000), see entire reference.	1-45
<input type="checkbox"/> Further documents are listed in the continuation of Box C. <input type="checkbox"/> See patent family annex.		
* Special categories of cited documents:		
"A"	document defining the general state of the art which is not considered to be of particular relevance	"T" later document published after the international filing date or priority date and not in conflict with the application but cited to understand the principle or theory underlying the invention
"E"	earlier application or patent published on or after the international filing date	"X" document of particular relevance; the claimed invention cannot be considered novel or cannot be considered to involve an inventive step when the document is taken alone
"L"	document which may throw doubts on priority claim(s) or which is cited to establish the publication date of another citation or other special reason (as specified)	"Y" document of particular relevance; the claimed invention cannot be considered to involve an inventive step when the document is combined with one or more other such documents, such combination being obvious to a person skilled in the art
"O"	document referring to an oral disclosure, use, exhibition or other means	"&" document member of the same patent family
"P"	document published prior to the international filing date but later than the priority date claimed	
Date of the actual completion of the international search		Date of mailing of the international search report
14 April 2003 (14.04.2003)		18 AUG 2003
Name and mailing address of the ISA/US Commissioner of Patents and Trademarks Box PCT Washington, D.C. 20231 Facsimile No. (703) 305-3230		Authorized officer Hoai Pham Telephone No. (703) 308-6173 

INTERNATIONAL SEARCH REPORT

PCT/US03/03863

Continuation of B. FIELDS SEARCHED Item 3:
USPTO APS EAST
search terms: ((resistance or memory) adj material) and programmable