



US00D798365S

(12) **United States Design Patent** (10) **Patent No.:** **US D798,365 S**
Glazer et al. (45) **Date of Patent:** **** Sep. 26, 2017**

- (54) **PORTABLE MOUNT FOR A MONITORING CAMERA**
- (71) Applicant: **UDISENSE INC.**, New York, NY (US)
- (72) Inventors: **Assaf Glazer**, Hoboken, NJ (US); **Tor Ivry**, Rishon Lezion (IL); **Amir Katz**, Bat Hefer (IL); **Amnon Karni**, New York, NY (US); **Mark Prommel**, Brooklyn, NY (US); **Pil Ho Chung**, Palisades Park, NJ (US); **Marco Perry**, Brooklyn, NY (US); **Oscar Frias**, Brooklyn, NY (US)

- D727,388 S * 4/2015 Huang D16/214
 - D746,350 S * 12/2015 Li D16/203
 - D754,234 S * 4/2016 Lee D16/218
 - D755,876 S * 5/2016 Moss D16/214
 - D765,756 S * 9/2016 Liu D16/203
- (Continued)

FOREIGN PATENT DOCUMENTS

EM 002909416-0005 * 12/2015

OTHER PUBLICATIONS

Nest Cam Indoor security camera. [online] Published date unknown. Retrieved on Mar. 1, 2017 from <URL: <https://www.amazon.com/dp/B00WBJGUA2?psc=1>>.*
(Continued)

Primary Examiner — Vy Koenig
Assistant Examiner — Omeed Agilee
(74) *Attorney, Agent, or Firm* — D.Kligler IP Services Ltd.

(57) **CLAIM**

The ornamental design for a portable mount for a monitoring camera, as shown and described.

DESCRIPTION

FIG. 1 is a top, front, right-side perspective view of a portable mount for a monitoring camera showing our new design;
FIG. 2 is a bottom, front, right-side perspective view thereof;
FIG. 3 is a front elevation view thereof;
FIG. 4 is a rear elevation view thereof;
FIG. 5 is a right side elevation view thereof;
FIG. 6 is a left side elevation view thereof;
FIG. 7 is a top plan view thereof; and,
FIG. 8 is a bottom plan view thereof.
The broken lines in the drawing views are included to illustrate environment only and form no part of the claimed design.

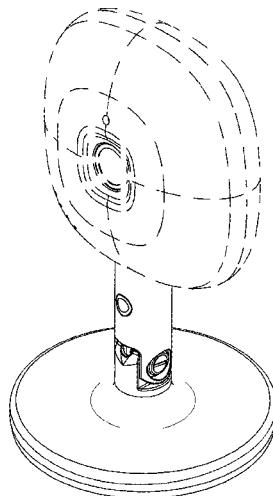
1 Claim, 7 Drawing Sheets

- (73) Assignee: **UDISENSE INC.**, New York, NY (US)
- (**) Term: **15 Years**
- (21) Appl. No.: **29/563,947**
- (22) Filed: **May 10, 2016**
- (51) **LOC (10) Cl.** **16-05**
- (52) **U.S. Cl.**
USPC **D16/242**
- (58) **Field of Classification Search**
USPC D16/134, 136, 210–219, 235, 237–245, D16/250
CPC G03B 17/02; G03B 17/04; G03B 17/14; G03B 17/56; G03B 17/561–17/568; G03B 7/00–7/002; G03B 7/02–7/04; G03B 7/14; G03B 21/20–21/2066; F16M 11/02; F16M 11/04; F16M 11/20; F16M 11/40
See application file for complete search history.

(56) **References Cited**

U.S. PATENT DOCUMENTS

- D557,320 S * 12/2007 Fisher D16/219
- D606,106 S * 12/2009 Kim D16/218
- D624,108 S * 9/2010 Wang D16/219
- D624,109 S * 9/2010 Wang D16/242
- D627,815 S * 11/2010 Oba D16/202



(56)

References Cited

U.S. PATENT DOCUMENTS

2006/0109375 A1* 5/2006 Ho H04N 5/2251
348/376
2015/0288877 A1 10/2015 Glazer

OTHER PUBLICATIONS

Flir FX Portable Interchangeable Wi-Fi Camera. [online] Published date Mar. 6, 2014. Retrieved on Mar. 1, 2017 from <URL: <http://geeknewscentral.com/2014/03/06/flir-fx-portable-interchangeable-wi-fi-camera/>>.*

Nanit Multi-Stand. [online] Published date Dec. 5, 2016. Retrieved on Mar. 2, 2017 from <URL: <https://www.amazon.com/Nanit-N102-Multi-Stand-White/dp/B01MDKHTL7/>>.*

* cited by examiner

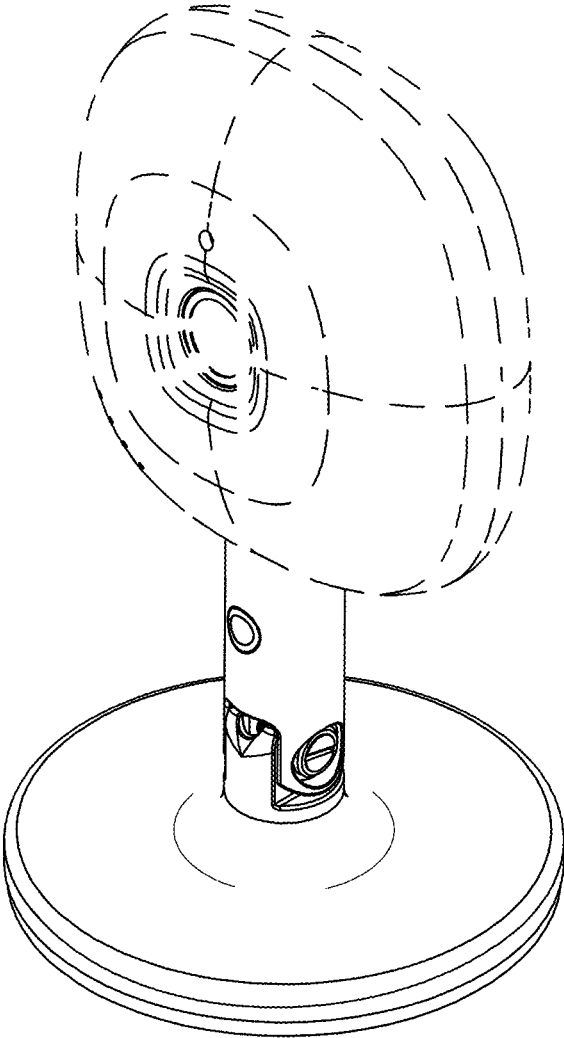


FIG. 1

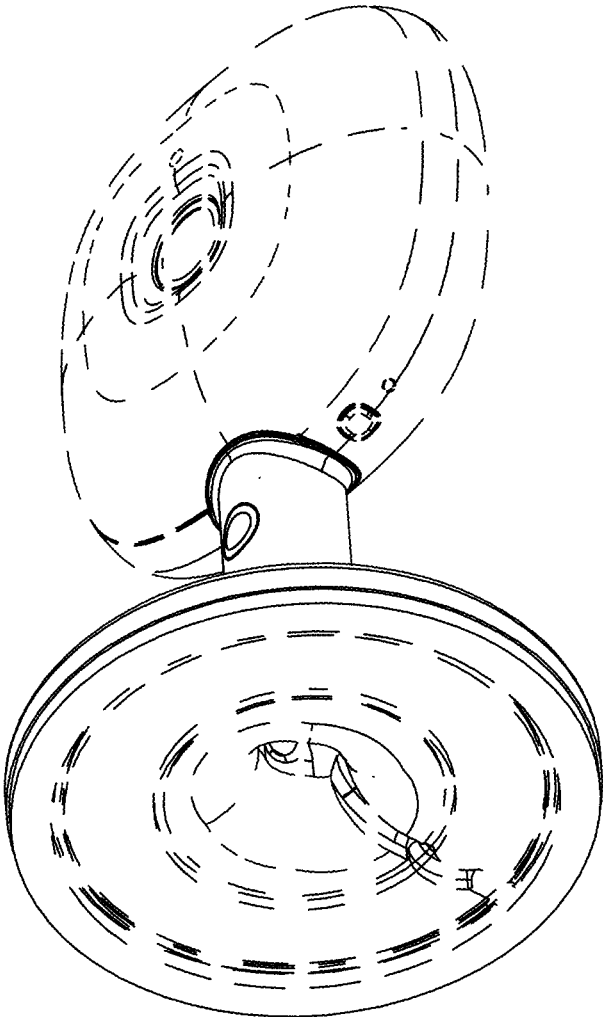


FIG. 2

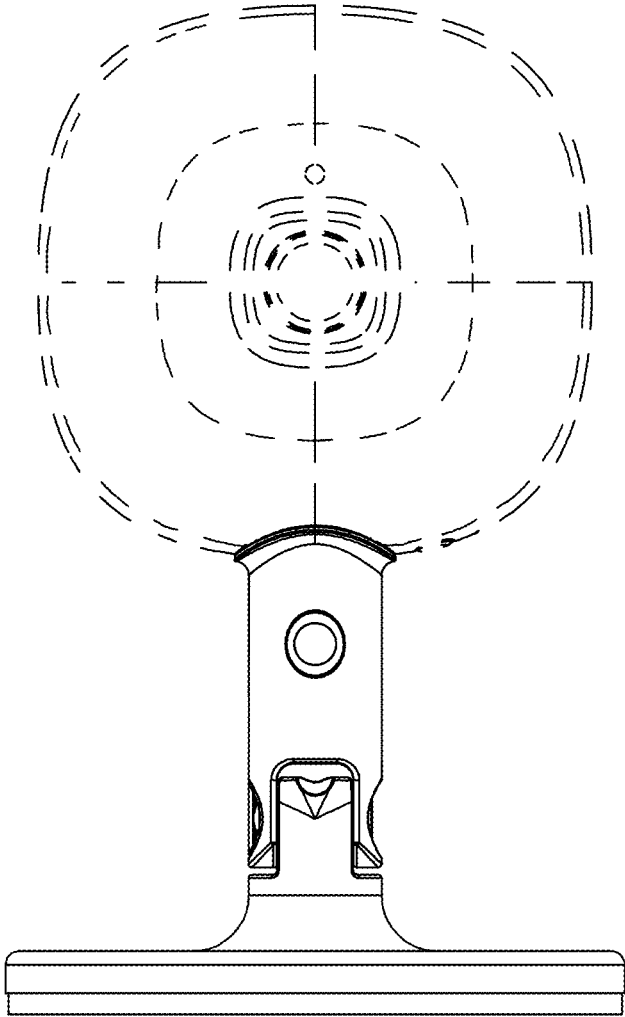


FIG. 3

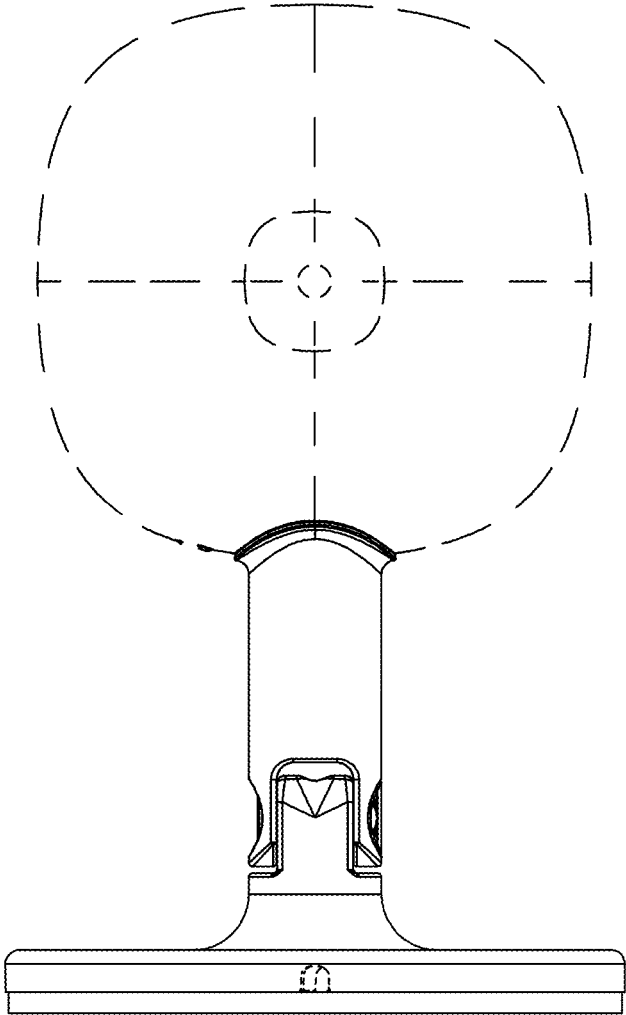


FIG. 4

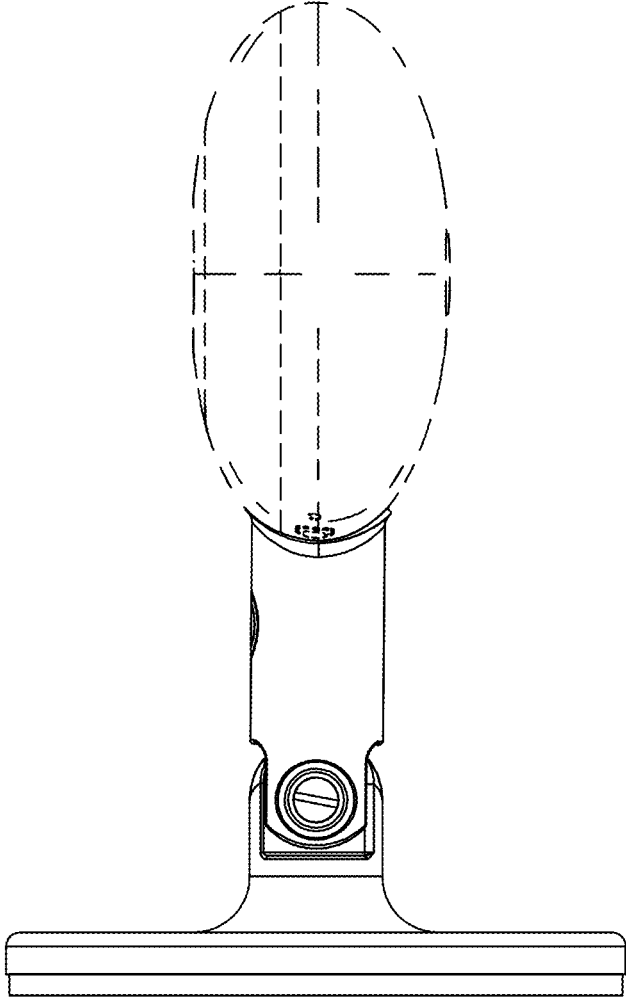


FIG. 5

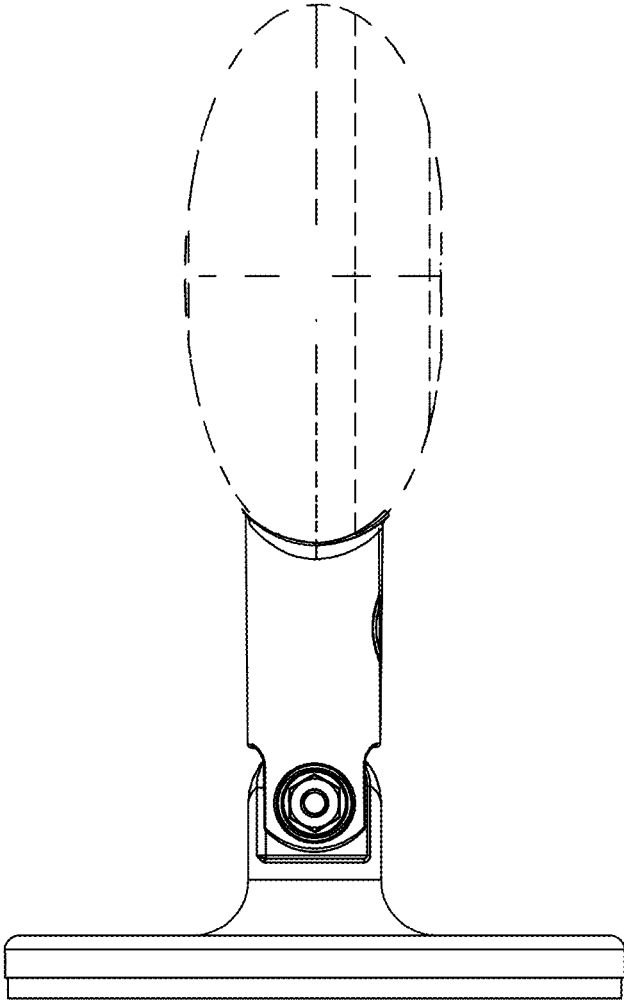


FIG. 6

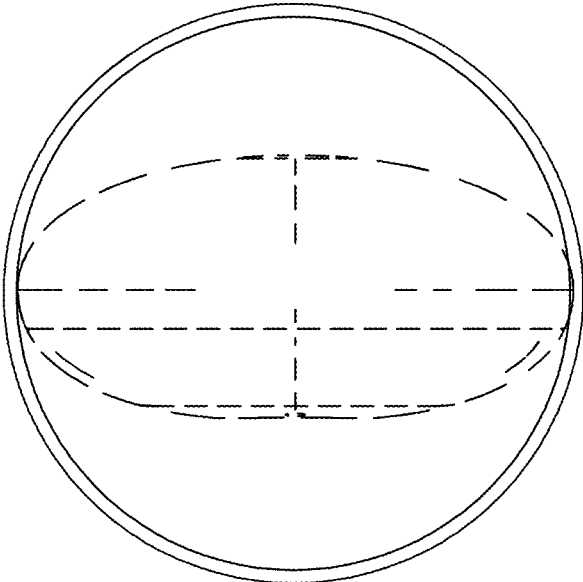


FIG. 7

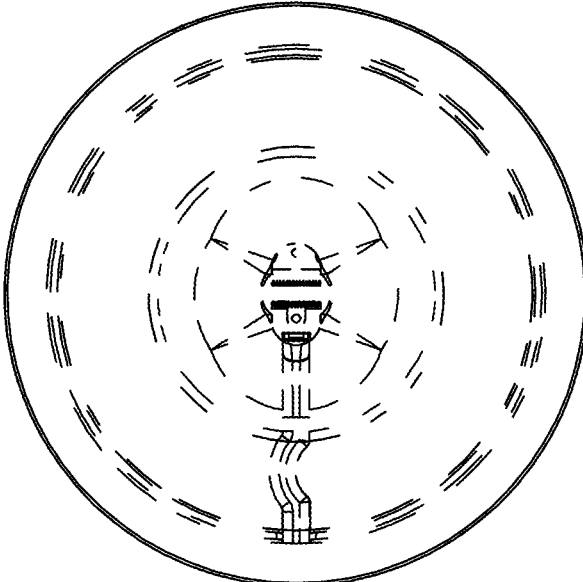


FIG. 8