

(19) World Intellectual Property Organization  
International Bureau



(43) International Publication Date  
9 November 2006 (09.11.2006)

PCT

(10) International Publication Number  
**WO 2006/118839 A3**

(51) International Patent Classification:

**B32B 27/32** (2006.01)    **D04H 13/00** (2006.01)  
**C08L 53/02** (2006.01)    **B32B 5/26** (2006.01)  
**D04H 3/02** (2006.01)    **A61F 13/15** (2006.01)

(74) Agents: SHANE, Richard, M. et al.; KIMBERLY-CLARK WORLDWIDE, INC., 401 N. Lake Street, Neenah, WI 54956 (US).

(21) International Application Number:

PCT/US2006/015354

(22) International Filing Date: 25 April 2006 (25.04.2006)

(25) Filing Language: English

(26) Publication Language: English

(30) Priority Data:

11/119,503                      29 April 2005 (29.04.2005)    US

(81) Designated States (unless otherwise indicated, for every kind of national protection available): AE, AG, AL, AM, AT, AU, AZ, BA, BB, BG, BR, BW, BY, BZ, CA, CH, CN, CO, CR, CU, CZ, DE, DK, DM, DZ, EC, EE, EG, ES, FI, GB, GD, GE, GH, GM, HR, HU, ID, IL, IN, IS, JP, KE, KG, KM, KN, KP, KR, KZ, LC, LK, LR, LS, LT, LU, LV, LY, MA, MD, MG, MK, MN, MW, MX, MZ, NA, NG, NI, NO, NZ, OM, PG, PH, PL, PT, RO, RU, SC, SD, SE, SG, SK, SL, SM, SY, TJ, TM, TN, TR, TT, TZ, UA, UG, US, UZ, VC, VN, YU, ZA, ZM, ZW.

(71) Applicant (for all designated States except US): KIMBERLY-CLARK WORLDWIDE, INC. [US/US]; 401 N. Lake Street, Neenah, WI 54956 (US).

(84) Designated States (unless otherwise indicated, for every kind of regional protection available): ARIPO (BW, GH, GM, KE, LS, MW, MZ, NA, SD, SL, SZ, TZ, UG, ZM, ZW), Eurasian (AM, AZ, BY, KG, KZ, MD, RU, TJ, TM), European (AT, BE, BG, CH, CY, CZ, DE, DK, EE, ES, FI, FR, GB, GR, HU, IE, IS, IT, LT, LU, LV, MC, NL, PL, PT, RO, SE, SI, SK, TR), OAPI (BF, BJ, CF, CG, CI, CM, GA, GN, GQ, GW, ML, MR, NE, SN, TD, TG).

(72) Inventors; and

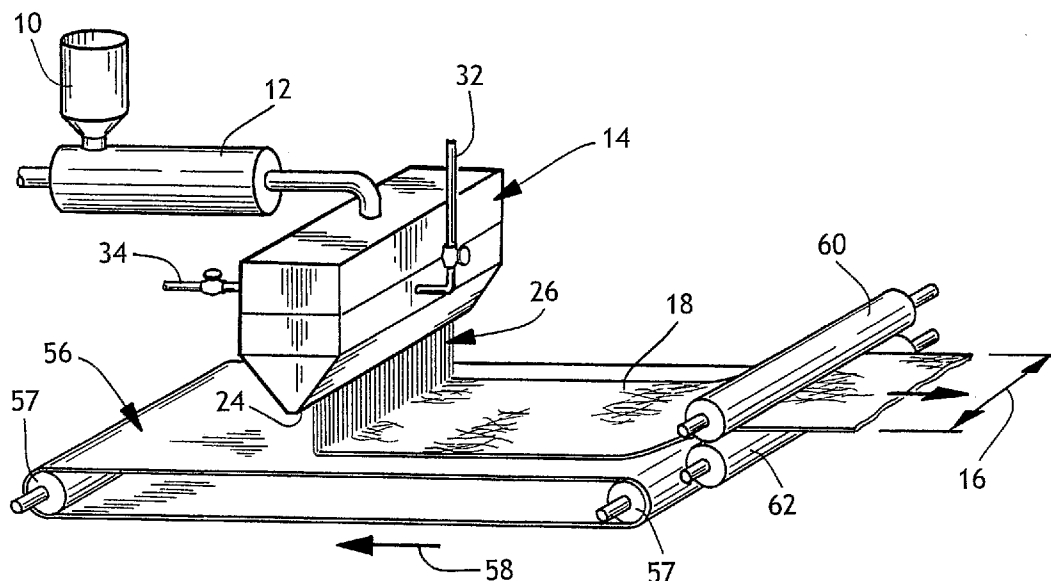
(75) Inventors/Applicants (for US only): THOMAS, Oomman, Painumootil [US/US]; 280 Relais Trace, Alpharetta, GA 30004-4225 (US). LAMBIDONIS, Melpo [US/US]; 3730 Werrington Drive, Cumming, GA 30040 (US). WELCH, Howard, Martin [US/US]; 328 West Lane, Woodstock, GA 30188 (US).

Published:

— with international search report

[Continued on next page]

(54) Title: ELASTOMERIC MATERIALS



(57) Abstract: The present invention is directed to elastic webs, such as elastic films and elastomeric fibrous meltblown or spunbond webs which may include elastomeric fibers and/or elastomeric continuous filaments. The elastic webs include an elastomeric block copolymer and an amorphous polyolefin plastomer wax. The elastic webs may include a tackifier, but desirably they do not. The elastic webs of the present invention may display hysteresis values and/or immediate set values upon elongation and retraction less than the hysteresis values and immediate set values of previously known elastic webs of similar basis weight. The elastic webs may display tension values upon elongation less than tension values displayed by previously known elastic webs of similar basis weight. The present invention is also directed to elastic laminate structures comprising at least one layer of an elastic web adhesively bonded to one or more other webs, such as, for instance a woven or nonwoven web.

WO 2006/118839 A3



---

**(88) Date of publication of the international search report:**

22 February 2007

*For two-letter codes and other abbreviations, refer to the "Guidance Notes on Codes and Abbreviations" appearing at the beginning of each regular issue of the PCT Gazette.*

## INTERNATIONAL SEARCH REPORT

International application No  
PCT/US2006/015354

A. CLASSIFICATION OF SUBJECT MATTER INV. B32B27/32 C08L53/02 D04H3/02 D04H13/00 B32B5/26 A61F13/15		
According to International Patent Classification (IPC) or to both national classification and IPC		
B. FIELDS SEARCHED Minimum documentation searched (classification system followed by classification symbols) B32B C08L D04H A61F C09J		
Documentation searched other than minimum documentation to the extent that such documents are included in the fields searched		
Electronic data base consulted during the international search (name of data base and, where practical, search terms used) EPO-Internal, WPI Data		
C. DOCUMENTS CONSIDERED TO BE RELEVANT		
Category*	Citation of document, with indication, where appropriate, of the relevant passages	Relevant to claim No.
X	WO 03/031151 A (KIMBERLY-CLARK WORLDWIDE, INC) 17 April 2003 (2003-04-17)	1,8-12, 17-19, 22-25, 44,46, 47,49, 51-54,57
Y	page 11, line 30 - page 12, line 19 claims 13,14,21-30	1-43
X	US 5 451 439 A (BIGG ET AL) 19 September 1995 (1995-09-19) the whole document	44-46, 52-57
X	WO 96/15757 A (BAXTER INTERNATIONAL INC) 30 May 1996 (1996-05-30) page 5, line 1 - page 7, line 4; claim 1	44,46, 48,52-57
	-/--	
<input checked="" type="checkbox"/> Further documents are listed in the continuation of Box C. <input checked="" type="checkbox"/> See patent family annex.		
* Special categories of cited documents : *A* document defining the general state of the art which is not considered to be of particular relevance *E* earlier document but published on or after the international filing date *L* document which may throw doubts on priority claim(s) or which is cited to establish the publication date of another citation or other special reason (as specified) *O* document referring to an oral disclosure, use, exhibition or other means *P* document published prior to the international filing date but later than the priority date claimed *T* later document published after the international filing date or priority date and not in conflict with the application but cited to understand the principle or theory underlying the invention *X* document of particular relevance; the claimed invention cannot be considered novel or cannot be considered to involve an inventive step when the document is taken alone *Y* document of particular relevance; the claimed invention cannot be considered to involve an inventive step when the document is combined with one or more other such documents, such combination being obvious to a person skilled in the art. *&* document member of the same patent family		
Date of the actual completion of the international search  2 October 2006		Date of mailing of the international search report  09/10/2006
Name and mailing address of the ISA/ European Patent Office, P.B. 5818 Patentlaan 2 NL - 2280 HV Rijswijk Tel. (+31-70) 340-2040, Tx. 31 651 epo nl, Fax: (+31-70) 340-3016		Authorized officer  Barathe, Rainier

## INTERNATIONAL SEARCH REPORT

International application No  
PCT/US2006/015354

C(Continuation). DOCUMENTS CONSIDERED TO BE RELEVANT		
Category*	Citation of document, with indication, where appropriate, of the relevant passages	Relevant to claim No.
Y	WO 2004/061181 A (KIMBERLY-CLARK WORLDWIDE, INC) 22 July 2004 (2004-07-22) page 12, line 29 - page 16, line 10 claims 1-71 -----	1-43
E	WO 2006/071321 A (KIMBERLY-CLARK WORLDWIDE, INC; THOMAS, OOMMAN, PAINUMMOOTTIL; LEVANTIS) 6 July 2006 (2006-07-06)  paragraph [0036]; claims; example; table 1 -----	1,3-5, 11,12, 17,19, 22-38, 44,46, 52,57
A	US 4 663 220 A (WISNESKI ET AL) 5 May 1987 (1987-05-05) the whole document -----	1-57
A	US 6 323 389 B1 (THOMAS OOMMAN P ET AL) 27 November 2001 (2001-11-27) cited in the application the whole document -----	1-43
A	US 4 720 415 A (VANDER WIELEN ET AL) 19 January 1988 (1988-01-19) cited in the application the whole document -----	1-43
A	US 5 336 545 A (MORMAN ET AL) 9 August 1994 (1994-08-09) cited in the application the whole document -----	1-43

# INTERNATIONAL SEARCH REPORT

International application No.  
PCT/US2006/015354

## Box II Observations where certain claims were found unsearchable (Continuation of item 2 of first sheet)

This International Search Report has not been established in respect of certain claims under Article 17(2)(a) for the following reasons:

1.  Claims Nos.:  
because they relate to subject matter not required to be searched by this Authority, namely:
  
2.  Claims Nos.:  
because they relate to parts of the International Application that do not comply with the prescribed requirements to such an extent that no meaningful International Search can be carried out, specifically:
  
3.  Claims Nos.:  
because they are dependent claims and are not drafted in accordance with the second and third sentences of Rule 6.4(a).

## Box III Observations where unity of invention is lacking (Continuation of item 3 of first sheet)

This International Searching Authority found multiple inventions in this international application, as follows:

see additional sheet

1.  As all required additional search fees were timely paid by the applicant, this International Search Report covers all searchable claims.
2.  As all searchable claims could be searched without effort justifying an additional fee, this Authority did not invite payment of any additional fee.
3.  As only some of the required additional search fees were timely paid by the applicant, this International Search Report covers only those claims for which fees were paid, specifically claims Nos.:
4.  No required additional search fees were timely paid by the applicant. Consequently, this International Search Report is restricted to the invention first mentioned in the claims; it is covered by claims Nos.:

### Remark on Protest

- The additional search fees were accompanied by the applicant's protest.
- No protest accompanied the payment of additional search fees.

## FURTHER INFORMATION CONTINUED FROM PCT/ISA/ 210

This International Searching Authority found multiple (groups of) inventions in this international application, as follows:

## 1. claims: 1-43

## a: claims 1-24

An elastic web comprising an elastomeric block copolymer comprising at least one thermoplastic block which comprises a styrenic moiety and at least one elastomeric polymer block selected from the group consisting of conjugated dienes, lower alkene polymers and saturated equivalents thereof; and greater than 0% and less than about 50% by weight of an amorphous polyolefin plastomer wax.

## b: claims 25-37

An elastic laminate structure comprising an elastic web comprising an elastomeric block copolymer comprising at least one thermoplastic block which comprises a styrenic moiety and at least one elastomeric polymer block selected from the group consisting of conjugated dienes, lower alkene polymers and saturated equivalents thereof; and greater than 0% and less than about 50% by weight of an amorphous polyolefin plastomer wax.

## c: claims 38-43

A personal care product comprising an elastic laminate structure wherein the elastic laminate structure comprises:

- an elastic web comprising greater than 0% and less than about 50% by weight of an amorphous polyolefin plastomer wax and an elastomeric block copolymer comprising at least one thermoplastic block which comprises a styrenic moiety and at least one elastomeric polymer block selected from the group consisting of conjugated dienes, lower alkene polymers and saturated equivalents thereof;
- a second nonwoven web; and
- a spray adhesive between the elastic web and the second web adhesively securing the elastic web and the second web together.

---

## 2. claims: 44-57

FURTHER INFORMATION CONTINUED FROM PCT/ISA/ 210

An elastomeric composition comprising an elastic web comprising an elastomeric block copolymer comprising at least one thermoplastic block which comprises a styrenic moiety and at least one elastomeric polymer block selected from the group consisting of conjugated dienes, lower alkene polymers and saturated equivalents thereof; and greater than 0% and less than about 50% by weight of an amorphous polyolefin plastomer wax.

---

Lack of unity *à posteriori*

---

The present application relates to a plurality of inventions or groups of invention in the sense of Rule 13.1 PCT. They have been divided as Group 1 and Group 2 (supra) The two groups of inventions are not so linked to form a single general inventive concept (Rule 13.1 PCT) for the following reason:

The common inventive concept between the two groups of inventions is an elastomeric composition comprising an elastic web comprising an elastomeric block copolymer comprising at least one thermoplastic block which comprises a styrenic moiety and at least one elastomeric polymer block selected from the group consisting of conjugated dienes, lower alkene polymers and saturated equivalents thereof; and greater than 0% and less than about 50% by weight of an amorphous polyolefin plastomer wax.

This composition is known from the following documents cited in the search report:

WO 03/031151( page 11, line 30 - page 12, line 19 and claims 13, 14, 21-30);

US-A5451439 (column 5 line 54 - column 7 lines 24, tables, examples); and

WO 96/15757( page 5 line 1 - page 7 line 4, claim 1) cited in the search report.

Since the common concept linking together the two groups of inventions is not novel, the current application lacks unity of invention Rule 13 PCT).

---

## INTERNATIONAL SEARCH REPORT

Information on patent family members

International application No

PCT/US2006/015354

Patent document cited in search report		Publication date	Patent family member(s)	Publication date
WO 03031151	A	17-04-2003	BR 0212836 A DE 10297265 T5 GB 2396134 A MX PA04002442 A US 2003068951 A1	24-08-2004 28-10-2004 16-06-2004 29-06-2004 10-04-2003
US 5451439	A	19-09-1995	NONE	
WO 9615757	A	30-05-1996	AT 207730 T AU 685674 B2 AU 3412895 A BR 9506531 A CA 2179608 A1 CN 1139378 A DE 69523568 D1 DE 69523568 T2 EP 0740544 A1 JP 9508052 T	15-11-2001 22-01-1998 17-06-1996 16-09-1997 30-05-1996 01-01-1997 06-12-2001 06-06-2002 06-11-1996 19-08-1997
WO 2004061181	A	22-07-2004	AU 2003270890 A1 BR 0317800 A CN 1720361 A EP 1579047 A1 JP 2006512491 T MX PA05007223 A US 2004127128 A1	29-07-2004 29-11-2005 11-01-2006 28-09-2005 13-04-2006 12-09-2005 01-07-2004
WO 2006071321	A	06-07-2006	US 2006135024 A1	22-06-2006
US 4663220	A	05-05-1987	CA 1318473 C	01-06-1993
US 6323389	B1	27-11-2001	US 2002052585 A1	02-05-2002
US 4720415	A	19-01-1988	AU 591507 B2 AU 6048686 A CA 1261723 A1 DE 3683924 D1 EP 0217032 A2 JP 1956246 C JP 6086712 B JP 62033889 A KR 9308255 B1 MX 167432 B	07-12-1989 05-02-1987 26-09-1989 26-03-1992 08-04-1987 28-07-1995 02-11-1994 13-02-1987 27-08-1993 22-03-1993
US 5336545	A	09-08-1994	US 5226992 A	13-07-1993