

(19) World Intellectual Property Organization
International Bureau



(43) International Publication Date
5 October 2006 (05.10.2006)

PCT

(10) International Publication Number
WO 2006/104613 A3

- (51) International Patent Classification:
H02H 9/00 (2006.01)
- (21) International Application Number:
PCT/US2006/006609
- (22) International Filing Date:
27 February 2006 (27.02.2006)
- (25) Filing Language:
English
- (26) Publication Language:
English
- (30) Priority Data:

60/656,910	1 March 2005 (01.03.2005)	US
60/661,002	14 March 2005 (14.03.2005)	US
60/668,992	7 April 2005 (07.04.2005)	US
60/671,107	14 April 2005 (14.04.2005)	US
60/671,532	15 April 2005 (15.04.2005)	US
60/674,284	25 April 2005 (25.04.2005)	US
60/751,273	19 December 2005 (19.12.2005)	US

- (81) Designated States (*unless otherwise indicated, for every kind of national protection available*): AE, AG, AL, AM, AT, AU, AZ, BA, BB, BG, BR, BW, BY, BZ, CA, CH, CN, CO, CR, CU, CZ, DE, DK, DM, DZ, EC, EE, EG, ES, FI, GB, GD, GE, GH, GM, HR, HU, ID, IL, IN, IS, JP, KE, KG, KM, KN, KP, KR, KZ, LC, LK, LR, LS, LT, LU, LV, LY, MA, MD, MG, MK, MN, MW, MX, MZ, NA, NG, NI, NO, NZ, OM, PG, PH, PL, PT, RO, RU, SC, SD, SE, SG, SK, SL, SM, SY, TJ, TM, TN, TR, TT, TZ, UA, UG, US, UZ, VC, VN, YU, ZA, ZM, ZW.
- (84) Designated States (*unless otherwise indicated, for every kind of regional protection available*): ARIPO (BW, GH, GM, KE, LS, MW, MZ, NA, SD, SL, SZ, TZ, UG, ZM, ZW), Eurasian (AM, AZ, BY, KG, KZ, MD, RU, TJ, TM), European (AT, BE, BG, CH, CY, CZ, DE, DK, EE, ES, FI, FR, GB, GR, HU, IE, IS, IT, LT, LU, LV, MC, NL, PL, PT, RO, SE, SI, SK, TR), OAPI (BF, BJ, CF, CG, CI, CM, GA, GN, GQ, GW, ML, MR, NE, SN, TD, TG).

Published:

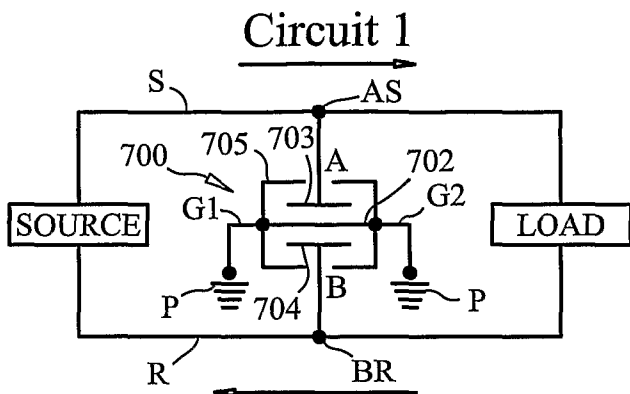
- with international search report
- before the expiration of the time limit for amending the claims and to be republished in the event of receipt of amendments

- (71) Applicant (*for all designated States except US*): **X2Y ATTENUATORS, LLC** [US/US]; 2730 B West 21st Street, Erie, PA 16506 (US).
- (72) Inventor; and
- (75) Inventor/Applicant (*for US only*): **ANTHONY, William** [US/US]; 2642 West 35th Street, Erie, PA 16506 (US).
- (74) Agent: **NEIFELD, Richard, A.**; Neifeld IP Law, P.C., 4813-B Eisenhower Avenue, Alexandria, VA 22304 (US).

(88) Date of publication of the international search report:
27 December 2007

For two-letter codes and other abbreviations, refer to the "Guidance Notes on Codes and Abbreviations" appearing at the beginning of each regular issue of the PCT Gazette.

(54) Title: **CONDITIONER WITH COPLANAR CONDUCTORS**



(57) Abstract: Disclosed are novel internal structures of energy conditioners (3a-3k) having A,B, and G master electrodes, novel assemblies of internal structures and internal structures of energy conditioners having A,B, and G electrodes, and novel arrangements of energy conditioners having A,B, and G master electrodes on connection structures.

WO 2006/104613 A3

INTERNATIONAL SEARCH REPORT

International application No.
PCT/US06/06609

A. CLASSIFICATION OF SUBJECT MATTER
 IPC: **H02H 9/00**(2006.01)

 USPC: 361/118
 According to International Patent Classification (IPC) or to both national classification and IPC

B. FIELDS SEARCHED
 Minimum documentation searched (classification system followed by classification symbols)
 U.S. : 361/118,111,91.1,56

Documentation searched other than minimum documentation to the extent that such documents are included in the fields searched

Electronic data base consulted during the international search (name of data base and, where practicable, search terms used)
 Please See Continuation Sheet

C. DOCUMENTS CONSIDERED TO BE RELEVANT

Category *	Citation of document, with indication, where appropriate, of the relevant passages	Relevant to claim No.
A	US 6,469,595 A (ANTHONY et al) 22 October 2002 (22.10.2002), see entire document.	1-41

Further documents are listed in the continuation of Box C. See patent family annex.

* Special categories of cited documents:	"T"
"A" document defining the general state of the art which is not considered to be of particular relevance	later document published after the international filing date or priority date and not in conflict with the application but cited to understand the principle or theory underlying the invention
"E" earlier application or patent published on or after the international filing date	"X" document of particular relevance; the claimed invention cannot be considered novel or cannot be considered to involve an inventive step when the document is taken alone
"L" document which may throw doubts on priority claim(s) or which is cited to establish the publication date of another citation or other special reason (as specified)	"Y" document of particular relevance; the claimed invention cannot be considered to involve an inventive step when the document is combined with one or more other such documents, such combination being obvious to a person skilled in the art
"O" document referring to an oral disclosure, use, exhibition or other means	"&" document member of the same patent family
"P" document published prior to the international filing date but later than the priority date claimed	

Date of the actual completion of the international search: 26 October 2007 (26.10.2007)
 Date of mailing of the international search report: 31 OCT 2007

Name and mailing address of the ISA/US: Mail Stop PCT, Attn: ISA/US, Commissioner for Patents, P.O. Box 1450, Alexandria, Virginia 22313-1450
 Facsimile No. (571) 273-3201
 Authorized officer: Michael Sherry (Signature)
 Telephone No. 571-272-2800

INTERNATIONAL SEARCH REPORT

International application No.
PCT/US06/06609

Continuation of B. FIELDS SEARCHED Item 3:
USPTO East text search
search terms: electrodes, shielding, filter, mode, layer, stack