



US00D588054S

(12) **United States Design Patent**  
**Xi-Ren**

(10) **Patent No.:** **US D588,054 S**

(45) **Date of Patent:** **\*\* Mar. 10, 2009**

(54) **FUEL TANK**

(75) Inventor: **Ying Xi-Ren**, Jinhua (CN)

(73) Assignee: **Sycamore SCS, LLC**, Louisville, KY (US)

(\*\*) Term: **14 Years**

(21) Appl. No.: **29/296,657**

(22) Filed: **Oct. 25, 2007**

(51) **LOC (9) Cl.** ..... **12-11**

(52) **U.S. Cl.** ..... **D12/218**

(58) **Field of Classification Search** ..... D12/218,  
D12/110, 114, 126, 196, 197, 414.1; 280/833-835;  
180/69.4, 219, 225; D23/202; 220/562-564,  
220/581, 582; D15/1, 5

See application file for complete search history.

(56) **References Cited**

**U.S. PATENT DOCUMENTS**

D258,501 S *	3/1981	Winslow	.....	D12/218
4,449,723 A	5/1984	Shiratsuchi		
4,469,190 A *	9/1984	Yamaguchi	.....	180/219
D379,995 S *	6/1997	Gilmore	.....	D15/1
D482,999 S	12/2003	Basura		
D502,439 S *	3/2005	Horstmann et al.	.....	D12/218
D514,498 S *	2/2006	Alsop	.....	D12/218
D534,108 S *	12/2006	Katagiri et al.	.....	D12/182

D543,995 S 6/2007 Tanaka et al.  
2007/0096452 A1\* 5/2007 Iwasaki ..... 280/833  
\* cited by examiner

*Primary Examiner*—Ian Simmons  
*Assistant Examiner*—Linda Brooks  
(74) *Attorney, Agent, or Firm*—Turner Padgett Graham & Laney, P.A.

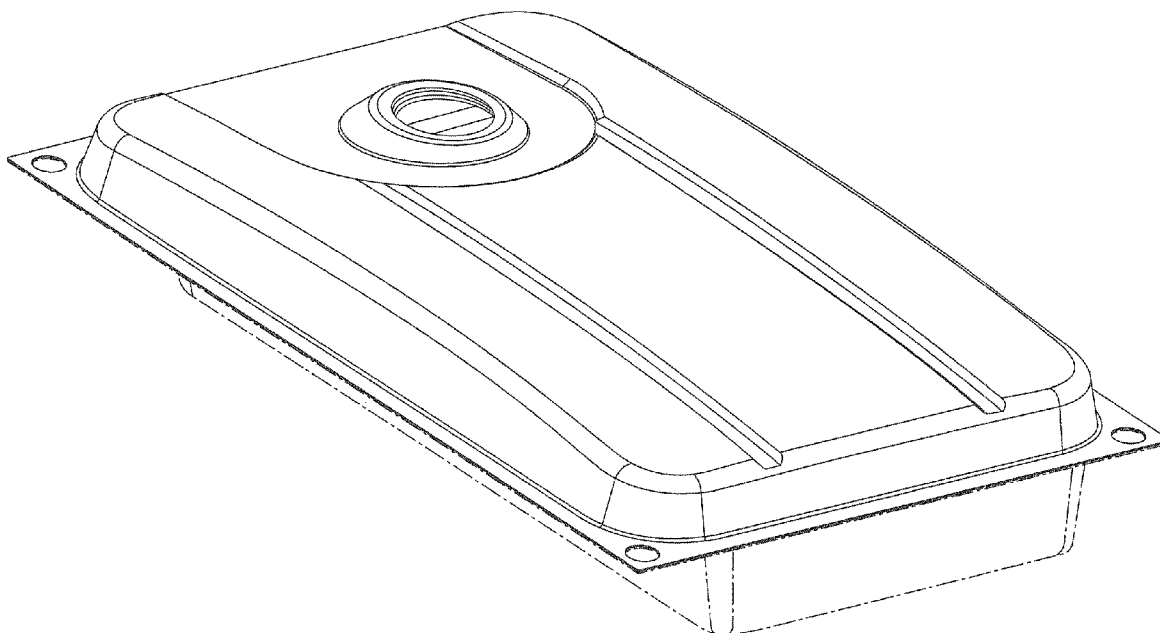
(57) **CLAIM**

The ornamental design for a fuel tank, as shown and described.

**DESCRIPTION**

FIG. 1 is a perspective view of the fuel tank.  
FIG. 2 is a plan view of the top of the fuel tank.  
FIG. 3 is a plan view of the bottom of the fuel tank.  
FIG. 4 is an elevation view of one side of the fuel tank, such side being opposite the fuel inlet port.  
FIG. 5 is an elevation view of one of the longitudinal sides of the fuel tank; and,  
FIG. 6 is an elevation view of another of the longitudinal sides of the fuel tank, such side being opposite that shown in FIG. 5.  
The portions shown in broken lines form no part of the claimed design.

**1 Claim, 5 Drawing Sheets**



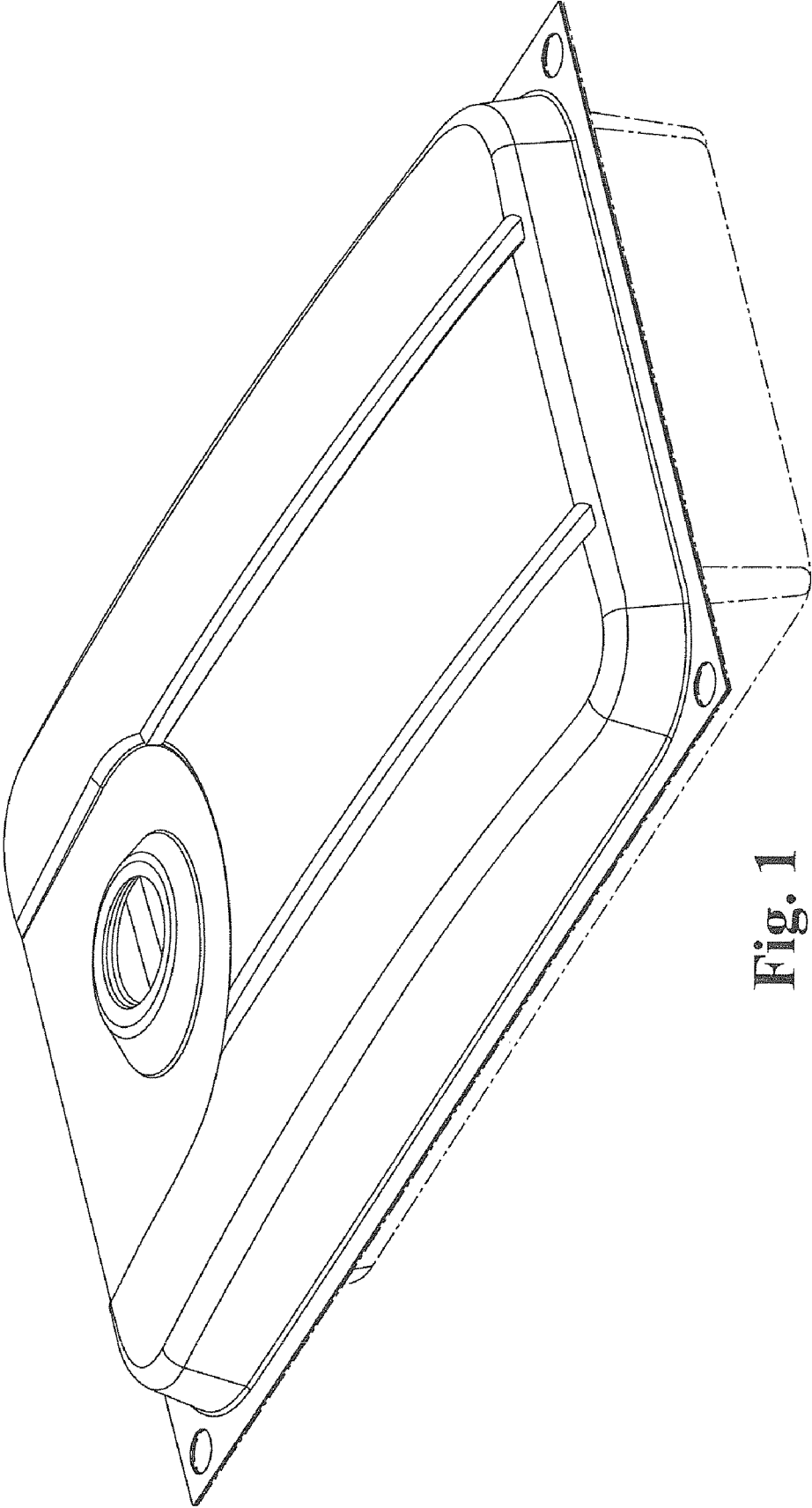


Fig. 1

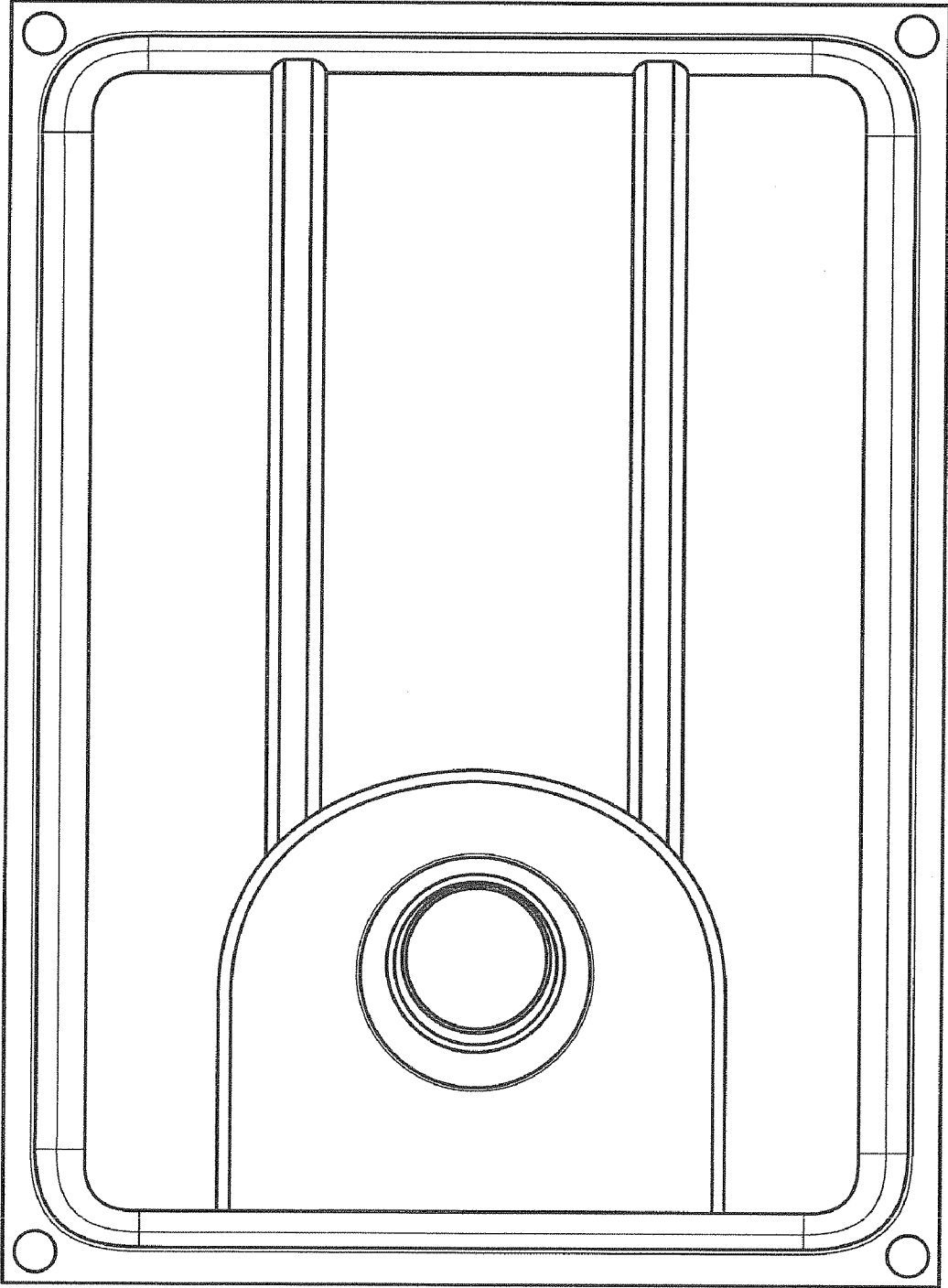


Fig. 2

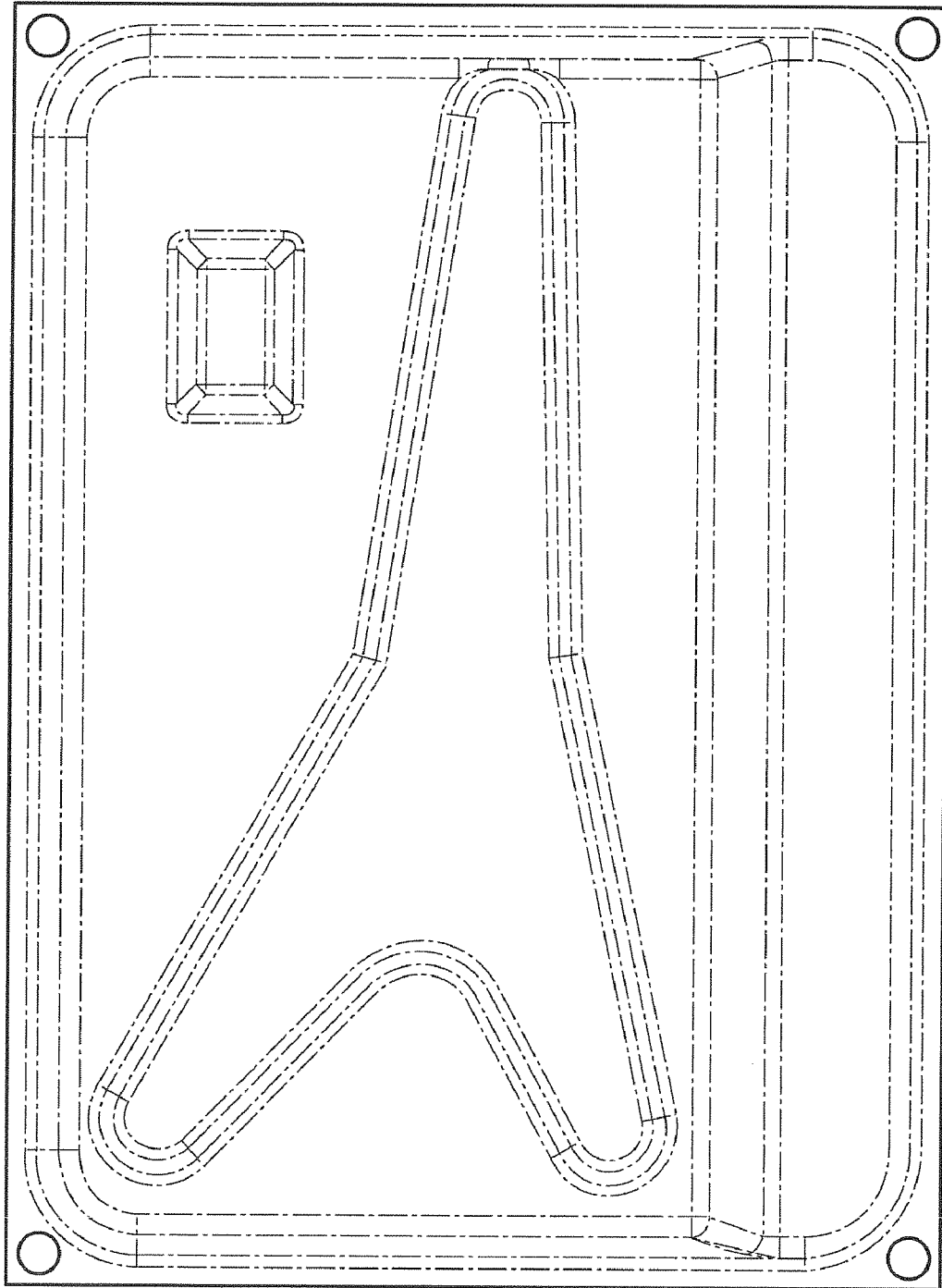


Fig. 3

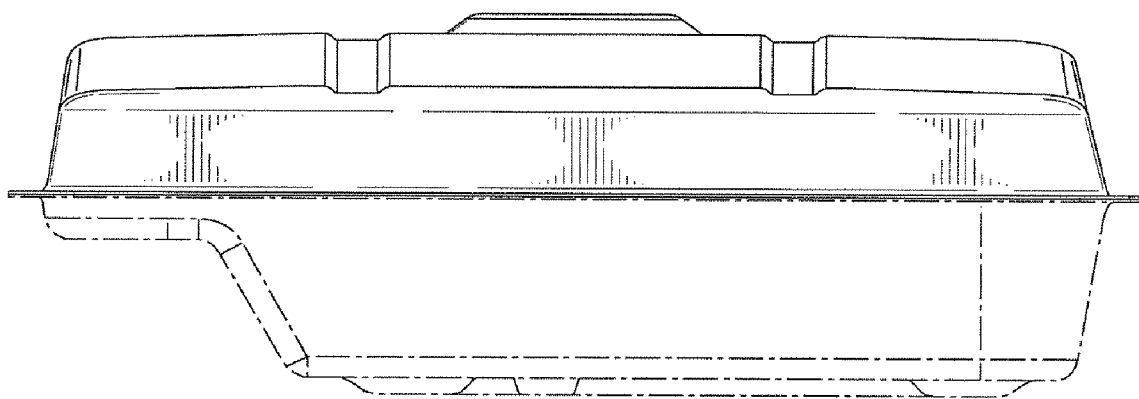


Fig. 4

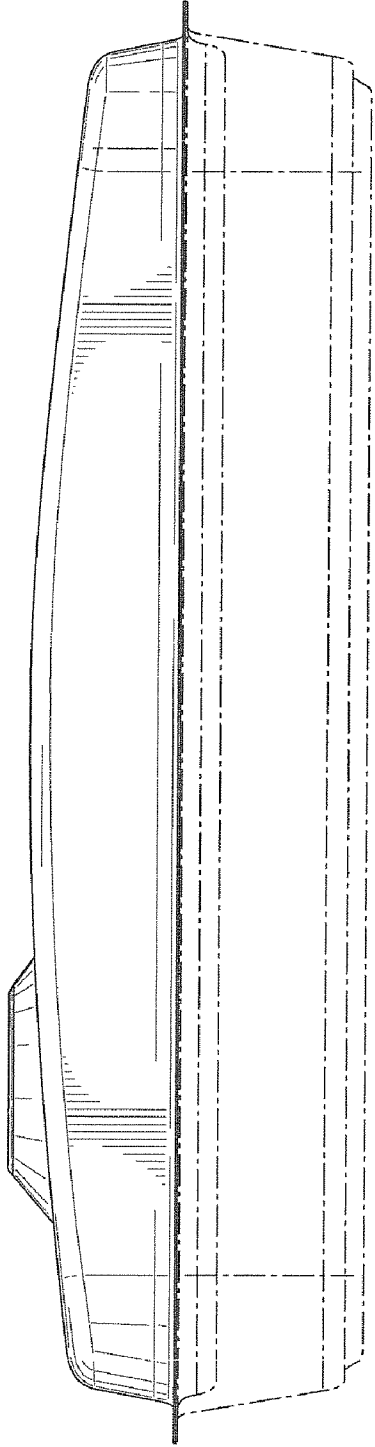


Fig. 5

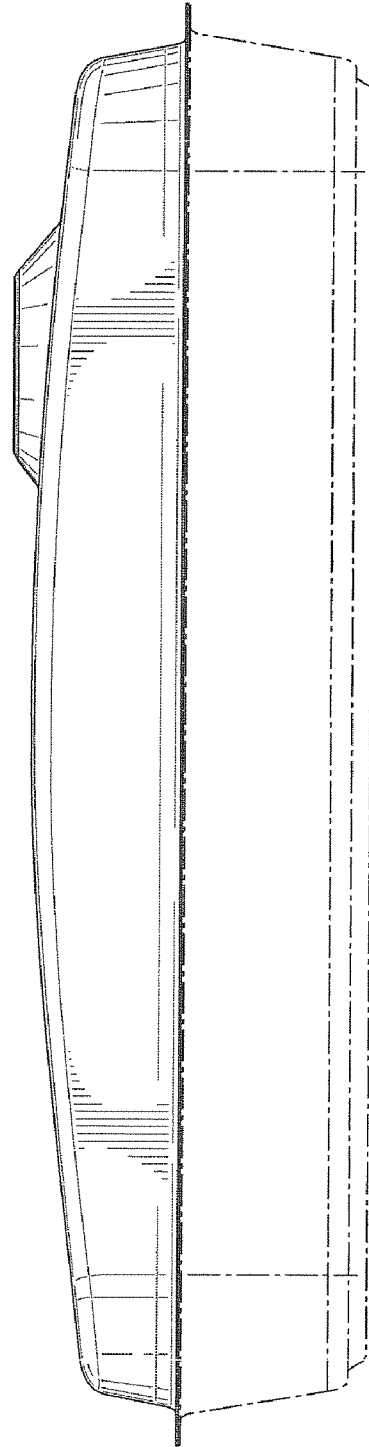


Fig. 6