



- (51) International Patent Classification:
A61B 1/12 (2006.01)
- (21) International Application Number:
PCT/IB2014/001881
- (22) International Filing Date:
7 May 2014 (07.05.2014)
- (25) Filing Language: English
- (26) Publication Language: English
- (30) Priority Data:
61/820,178 7 May 2013 (07.05.2013) US
- (71) Applicant: JET PREP LTD. [IL/IL]; P.O. Box 620,
20692 Yoqneam (IL).
- (72) Inventors; and
(71) Applicants : NITSAN, David [IL/IL]; 24/18 Moshe
Sharet St., 62092 Tel-aviv (IL). BEN-DA'AT, Nadav
[IL/IL]; 9 A'emek 9, 37000 Karkur (IL). DUBI, Shay
[IL/IL]; 54 Ashkenazi St., 69869 Tel-aviv (IL).
- (81) Designated States (unless otherwise indicated, for every
kind of national protection available): AE, AG, AL, AM,
AO, AT, AU, AZ, BA, BB, BG, BH, BN, BR, BW, BY,
BZ, CA, CH, CL, CN, CO, CR, CU, CZ, DE, DK, DM,

DO, DZ, EC, EE, EG, ES, FI, GB, GD, GE, GH, GM, GT,
HN, HR, HU, ID, IL, IN, IR, IS, JP, KE, KG, KN, KP, KR,
KZ, LA, LC, LK, LR, LS, LT, LU, LY, MA, MD, ME,
MG, MK, MN, MW, MX, MY, MZ, NA, NG, NI, NO, NZ,
OM, PA, PE, PG, PH, PL, PT, QA, RO, RS, RU, RW, SA,
SC, SD, SE, SG, SK, SL, SM, ST, SV, SY, TH, TJ, TM,
TN, TR, TT, TZ, UA, UG, US, UZ, VC, VN, ZA, ZM,
ZW.

(84) Designated States (unless otherwise indicated, for every
kind of regional protection available): ARIPO (BW, GH,
GM, KE, LR, LS, MW, MZ, NA, RW, SD, SL, SZ, TZ,
UG, ZM, ZW), Eurasian (AM, AZ, BY, KG, KZ, RU, TJ,
TM), European (AL, AT, BE, BG, CH, CY, CZ, DE, DK,
EE, ES, FI, FR, GB, GR, HR, HU, IE, IS, IT, LT, LU, LV,
MC, MK, MT, NL, NO, PL, PT, RO, RS, SE, SI, SK, SM,
TR), OAPI (BF, BJ, CF, CG, CI, CM, GA, GN, GQ, GW,
KM, ML, MR, NE, SN, TD, TG).

Published:

— with international search report (Art. 21(3))

(88) Date of publication of the international search report:
23 April 2015

(54) Title: RIGID HEAD FOR A BODY PASSAGE DEVICE

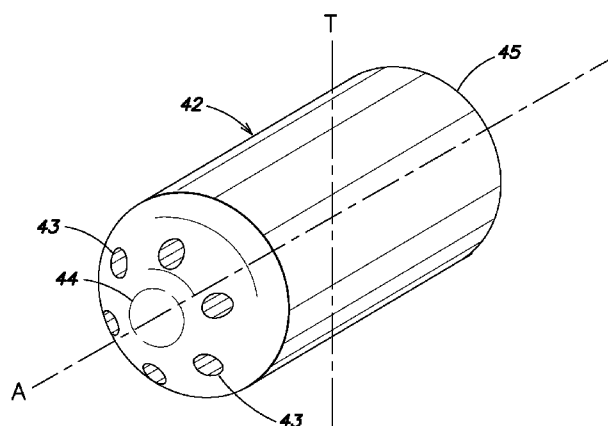


FIG. 2

(57) Abstract: A rigid head for use in a working channel of an endoscope is provided, the rigid head comprising: a body having a proximal end, a distal end and a longitudinal axis, the body having at least one channel disposed along the longitudinal axis configured to guide fluid in or out of the working channel, wherein the rigid head is configured for disposal within a working channel of an endoscope, the at least one channel configured to guide fluid in and out of the working channel of the endoscope. Body passage devices and methods are provided that allow the guidewire and/or rigid head to be extended in different length endoscope working channels.

WO 2014/191842 A3

INTERNATIONAL SEARCH REPORT

International application No.

PCT/IB 14/01881

A. CLASSIFICATION OF SUBJECT MATTER IPC(8) - A61B 1/12 (2015.01) CPC - A61B 1/12 According to International Patent Classification (IPC) or to both national classification and IPC																										
B. FIELDS SEARCHED Minimum documentation searched (classification system followed by classification symbols) IPC(8) - A61B 1/12 (2015.01) CPC - A61B 1/12 Documentation searched other than minimum documentation to the extent that such documents are included in the fields searched USPC - 600/155-159, 600/101-183, CPC - A61B 1/*, IPC(8) - A61B 1/* (2015.01) (Search term limited; see below) Electronic data base consulted during the international search (name of data base and, where practicable, search terms used) PubWest (PGPB, USPT, EPAB, JPAB); Google; PatBase (All); Search Terms: Irrigat*, clean*, perfus*, wash*, catheter, scope, endoscop*, colon*, probe, jet, spray*, nozzle*, head*; second, two, actuator*, control*, adjuster, guidewire, wire, cable, wire, line, fine, precis*, coarse, gross, motion, movement, displacement, slider, lever,																										
C. DOCUMENTS CONSIDERED TO BE RELEVANT																										
<table border="1" style="width:100%; border-collapse: collapse;"> <thead> <tr> <th style="width:10%;">Category*</th> <th style="width:70%;">Citation of document, with indication, where appropriate, of the relevant passages</th> <th style="width:20%;">Relevant to claim No.</th> </tr> </thead> <tbody> <tr> <td style="vertical-align: top;">X -- Y -- A</td> <td style="vertical-align: top;">US 2012/0253284 A1 (NITSAN et al.) 04 October 2012 (04.10.2012) Entire document, especially Abstract, para[0095]- para[0096], para[0102], para[0129]- para[0142], para[0148] and FIGS. 1B, 8-10.</td> <td style="vertical-align: top;">1-3,6-8,10,12,13,15,16,26,27 ----- 4-5, 9, 11, 14, 17-23 ----- 24-25, 28</td> </tr> <tr> <td style="vertical-align: top;">Y -- A</td> <td style="vertical-align: top;">US 2011/0092892 A1 (NITSAN et al.) 21 April 2011 (21.04.2011) Entire document, especially Abstract, para[0197]- para[0199], para[0205]- para[0214], para[0285] and FIGS. 20-24, 32-34, 47.</td> <td style="vertical-align: top;">4-5, 9, 11, 14, 17-23 ----- 24-25, 28</td> </tr> <tr> <td style="vertical-align: top;">A</td> <td style="vertical-align: top;">US 2005/0159648 A1 (FREED) 21 July 2005 (21.07.2005) Entire document.</td> <td style="vertical-align: top;">1-28</td> </tr> <tr> <td style="vertical-align: top;">A</td> <td style="vertical-align: top;">US 2009/0270796 A1 (PERRY et al.) 29 October 2009 (29.10.2009) Entire document.</td> <td style="vertical-align: top;">1-28</td> </tr> <tr> <td style="vertical-align: top;">A</td> <td style="vertical-align: top;">US 2006/0173244 A1 (BOULAIS et al.) 03 August 2006 (03.08.2006) Entire document.</td> <td style="vertical-align: top;">1-28</td> </tr> <tr> <td style="vertical-align: top;">A</td> <td style="vertical-align: top;">US 5,279,542 A (WILK) 18 January 1994 (18.01.1994) Entire document.</td> <td style="vertical-align: top;">1-28</td> </tr> <tr> <td style="vertical-align: top;">A</td> <td style="vertical-align: top;">US 2007/0015965 A1 (COX et al.) 18 January 2007 (18.01.2007) Entire document.</td> <td style="vertical-align: top;">1-28</td> </tr> </tbody> </table>	Category*	Citation of document, with indication, where appropriate, of the relevant passages	Relevant to claim No.	X -- Y -- A	US 2012/0253284 A1 (NITSAN et al.) 04 October 2012 (04.10.2012) Entire document, especially Abstract, para[0095]- para[0096], para[0102], para[0129]- para[0142], para[0148] and FIGS. 1B, 8-10.	1-3,6-8,10,12,13,15,16,26,27 ----- 4-5, 9, 11, 14, 17-23 ----- 24-25, 28	Y -- A	US 2011/0092892 A1 (NITSAN et al.) 21 April 2011 (21.04.2011) Entire document, especially Abstract, para[0197]- para[0199], para[0205]- para[0214], para[0285] and FIGS. 20-24, 32-34, 47.	4-5, 9, 11, 14, 17-23 ----- 24-25, 28	A	US 2005/0159648 A1 (FREED) 21 July 2005 (21.07.2005) Entire document.	1-28	A	US 2009/0270796 A1 (PERRY et al.) 29 October 2009 (29.10.2009) Entire document.	1-28	A	US 2006/0173244 A1 (BOULAIS et al.) 03 August 2006 (03.08.2006) Entire document.	1-28	A	US 5,279,542 A (WILK) 18 January 1994 (18.01.1994) Entire document.	1-28	A	US 2007/0015965 A1 (COX et al.) 18 January 2007 (18.01.2007) Entire document.	1-28	<input type="checkbox"/> Further documents are listed in the continuation of Box C. <input type="checkbox"/>	
Category*	Citation of document, with indication, where appropriate, of the relevant passages	Relevant to claim No.																								
X -- Y -- A	US 2012/0253284 A1 (NITSAN et al.) 04 October 2012 (04.10.2012) Entire document, especially Abstract, para[0095]- para[0096], para[0102], para[0129]- para[0142], para[0148] and FIGS. 1B, 8-10.	1-3,6-8,10,12,13,15,16,26,27 ----- 4-5, 9, 11, 14, 17-23 ----- 24-25, 28																								
Y -- A	US 2011/0092892 A1 (NITSAN et al.) 21 April 2011 (21.04.2011) Entire document, especially Abstract, para[0197]- para[0199], para[0205]- para[0214], para[0285] and FIGS. 20-24, 32-34, 47.	4-5, 9, 11, 14, 17-23 ----- 24-25, 28																								
A	US 2005/0159648 A1 (FREED) 21 July 2005 (21.07.2005) Entire document.	1-28																								
A	US 2009/0270796 A1 (PERRY et al.) 29 October 2009 (29.10.2009) Entire document.	1-28																								
A	US 2006/0173244 A1 (BOULAIS et al.) 03 August 2006 (03.08.2006) Entire document.	1-28																								
A	US 5,279,542 A (WILK) 18 January 1994 (18.01.1994) Entire document.	1-28																								
A	US 2007/0015965 A1 (COX et al.) 18 January 2007 (18.01.2007) Entire document.	1-28																								
* Special categories of cited documents: "A" document defining the general state of the art which is not considered to be of particular relevance "E" earlier application or patent but published on or after the international filing date "L" document which may throw doubts on priority claim(s) or which is cited to establish the publication date of another citation or other special reason (as specified) "O" document referring to an oral disclosure, use, exhibition or other means "P" document published prior to the international filing date but later than the priority date claimed	"T" later document published after the international filing date or priority date and not in conflict with the application but cited to understand the principle or theory underlying the invention "X" document of particular relevance; the claimed invention cannot be considered novel or cannot be considered to involve an inventive step when the document is taken alone "Y" document of particular relevance; the claimed invention cannot be considered to involve an inventive step when the document is combined with one or more other such documents, such combination being obvious to a person skilled in the art "&" document member of the same patent family	Date of the actual completion of the international search 08 January 2015 (08.01.2015)																								
Name and mailing address of the ISA/US Mail Stop PCT, Attn: ISA/US, Commissioner for Patents P.O. Box 1450, Alexandria, Virginia 22313-1450 Facsimile No. 571-273-3201	Date of mailing of the international search report <div style="text-align: center; font-size: 1.2em; font-weight: bold;">27 JAN 2015</div> Authorized officer: Lee W. Young PCT Helpdesk: 571-272-4300 PCT OSP: 571-272-7774																									