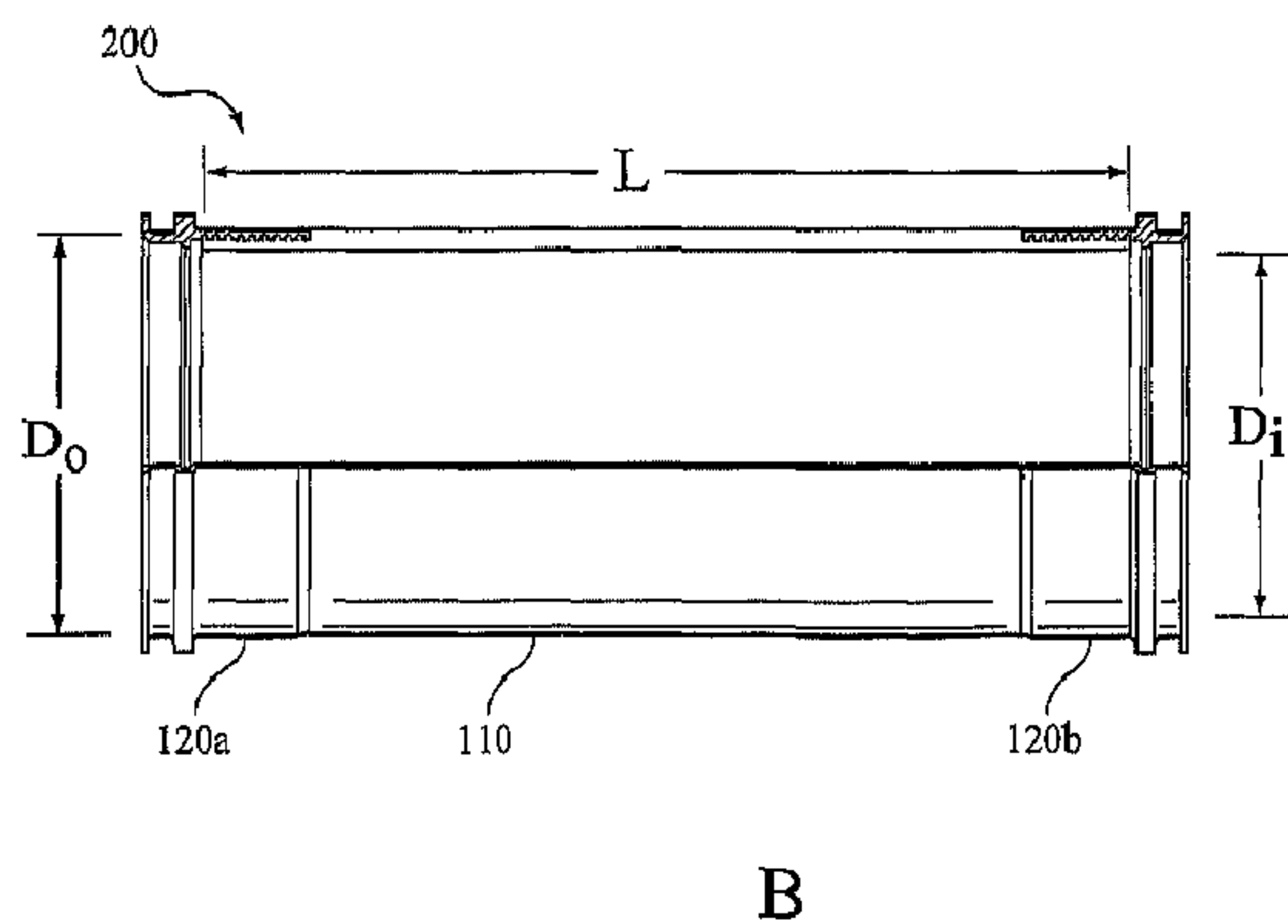
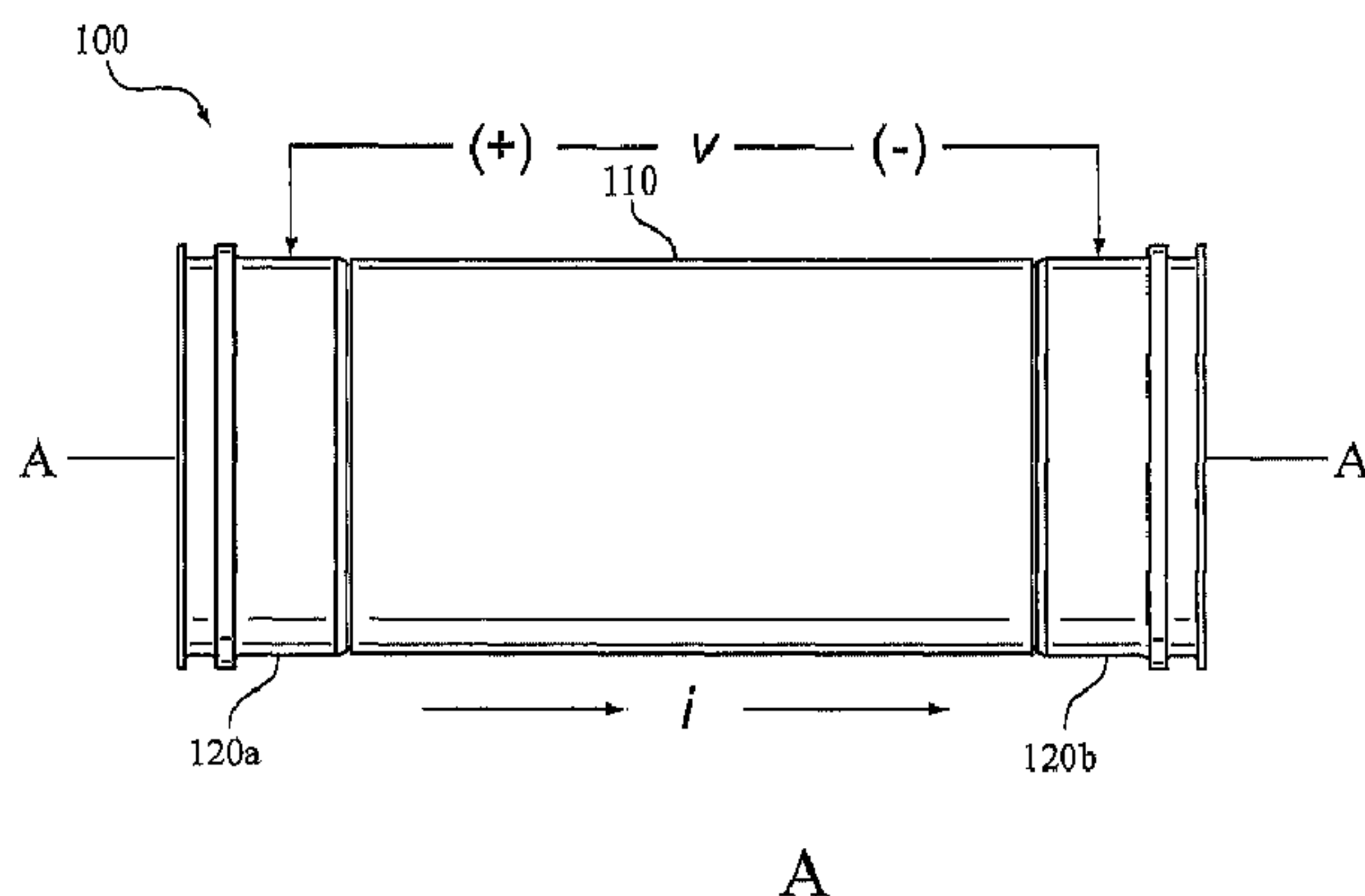




(86) Date de dépôt PCT/PCT Filing Date: 2009/07/01  
 (87) Date publication PCT/PCT Publication Date: 2010/01/07  
 (45) Date de délivrance/Issue Date: 2015/02/17  
 (85) Entrée phase nationale/National Entry: 2011/01/04  
 (86) N° demande PCT/PCT Application No.: IB 2009/006144  
 (87) N° publication PCT/PCT Publication No.: 2010/001238  
 (30) Priorité/Priority: 2008/07/02 (US12/166,698)

(51) Cl.Int./Int.Cl. *B64D 37/32* (2006.01),  
*B64D 45/02* (2006.01), *F16L 25/02* (2006.01),  
*F16L 25/03* (2006.01)  
 (72) Inventeurs/Inventors:  
 BREAY, CLIFTON P., US;  
 PFANNENSTIEL, SARA D., US;  
 MATTHEWS, STEPHEN C., US;  
 BRYANT, EDWARD W., S., US  
 (73) Propriétaire/Owner:  
 EATON CORPORATION, US  
 (74) Agent: BORDEN LADNER GERVAIS LLP

(54) Titre : ISOLATEURS DIELECTRIQUES  
 (54) Title: DIELECTRIC ISOLATORS



(57) Abrégé/Abstract:

The present application is directed to dielectric isolators for use in aircraft fuel systems to control lightning induced current and allow dissipation of electrostatic charge. The dielectric isolators are configured to have a high enough impedance to limit lightning

(57) **Abrégé(suite)/Abstract(continued):**

currents to low levels, but low enough impedance to allow electrostatic charge to dissipate without allowing buildup. Although the dielectric isolators may develop a potential difference across the dielectric length due to the effects of lightning currents and its inherent impedance, they are configured to withstand these induced voltages without dielectric breakdown or performance degradation. In one embodiment, the dielectric isolator (100) includes a tube (110) constructed of a composition including a thermoplastic organic polymer (e.g., PEEK) and carbon nanotubes, and a pair of couplings (120a, b) attached to opposing ends of the tube (100). The dielectric isolator (100) is capable of exhibiting an electrical resistance from about  $10^5 \Omega$  to  $10^8 \Omega$  at an applied potential of greater than 500 volts DC when measured from one coupling (120a) to the other coupling (120b).

(12) INTERNATIONAL APPLICATION PUBLISHED UNDER THE PATENT COOPERATION TREATY (PCT)

(19) World Intellectual Property Organization  
International Bureau(43) International Publication Date  
7 January 2010 (07.01.2010)(10) International Publication Number  
**WO 2010/001238 A1**

## (51) International Patent Classification:

*B64D 37/32* (2006.01)      *F16L 25/02* (2006.01)  
*B64D 45/02* (2006.01)      *F16L 25/03* (2006.01)

## (21) International Application Number:

PCT/IB2009/006144

## (22) International Filing Date:

1 July 2009 (01.07.2009)

## (25) Filing Language:

English

## (26) Publication Language:

English

## (30) Priority Data:

12/166,698      2 July 2008 (02.07.2008)      US

(71) Applicant: **EATON CORPORATION** [US/US]; Eaton Center, 1111 Superior Avenue, Cleveland, OH 44114-2584 (US).(72) Inventors: **BREAY, Clifton, P.**; 18090 Chokecherry Drive, Littleton, CO 80127 (US). **PFANNENSTIEL, Sara, D.**; 5566 East 130th Drive, Thornton, CO 80241 (US). **MATTHEWS, Stephen, C.**; 7350 East Bayaud Avenue, Denver, CO 80230 (US). **BRYANT, Edward, W., S.**; 120 E King Street, Winona, MN 55987 (US).

(81) Designated States (unless otherwise indicated, for every kind of national protection available): AE, AG, AL, AM, AO, AT, AU, AZ, BA, BB, BG, BH, BR, BW, BY, BZ, CA, CH, CL, CN, CO, CR, CU, CZ, DE, DK, DM, DO, DZ, EC, EE, EG, ES, FI, GB, GD, GE, GH, GM, GT, HN, HR, HU, ID, IL, IN, IS, JP, KE, KG, KM, KN, KP, KR, KZ, LA, LC, LK, LR, LS, LT, LU, LY, MA, MD, ME, MG, MK, MN, MW, MX, MY, MZ, NA, NG, NI, NO, NZ, OM, PE, PG, PH, PL, PT, RO, RS, RU, SC, SD, SE, SG, SK, SL, SM, ST, SV, SY, TJ, TM, TN, TR, TT, TZ, UA, UG, UZ, VC, VN, ZA, ZM, ZW.

(84) Designated States (unless otherwise indicated, for every kind of regional protection available): ARIPO (BW, GH, GM, KE, LS, MW, MZ, NA, SD, SL, SZ, TZ, UG, ZM, ZW), Eurasian (AM, AZ, BY, KG, KZ, MD, RU, TJ, TM), European (AT, BE, BG, CH, CY, CZ, DE, DK, EE, ES, FI, FR, GB, GR, HR, HU, IE, IS, IT, LT, LU, LV, MC, MK, MT, NL, NO, PL, PT, RO, SE, SI, SK, SM, TR), OAPI (BF, BJ, CF, CG, CI, CM, GA, GN, GQ, GW, ML, MR, NE, SN, TD, TG).

## Published:

— with international search report (Art. 21(3))

[Continued on next page]

## (54) Title: DIELECTRIC ISOLATORS

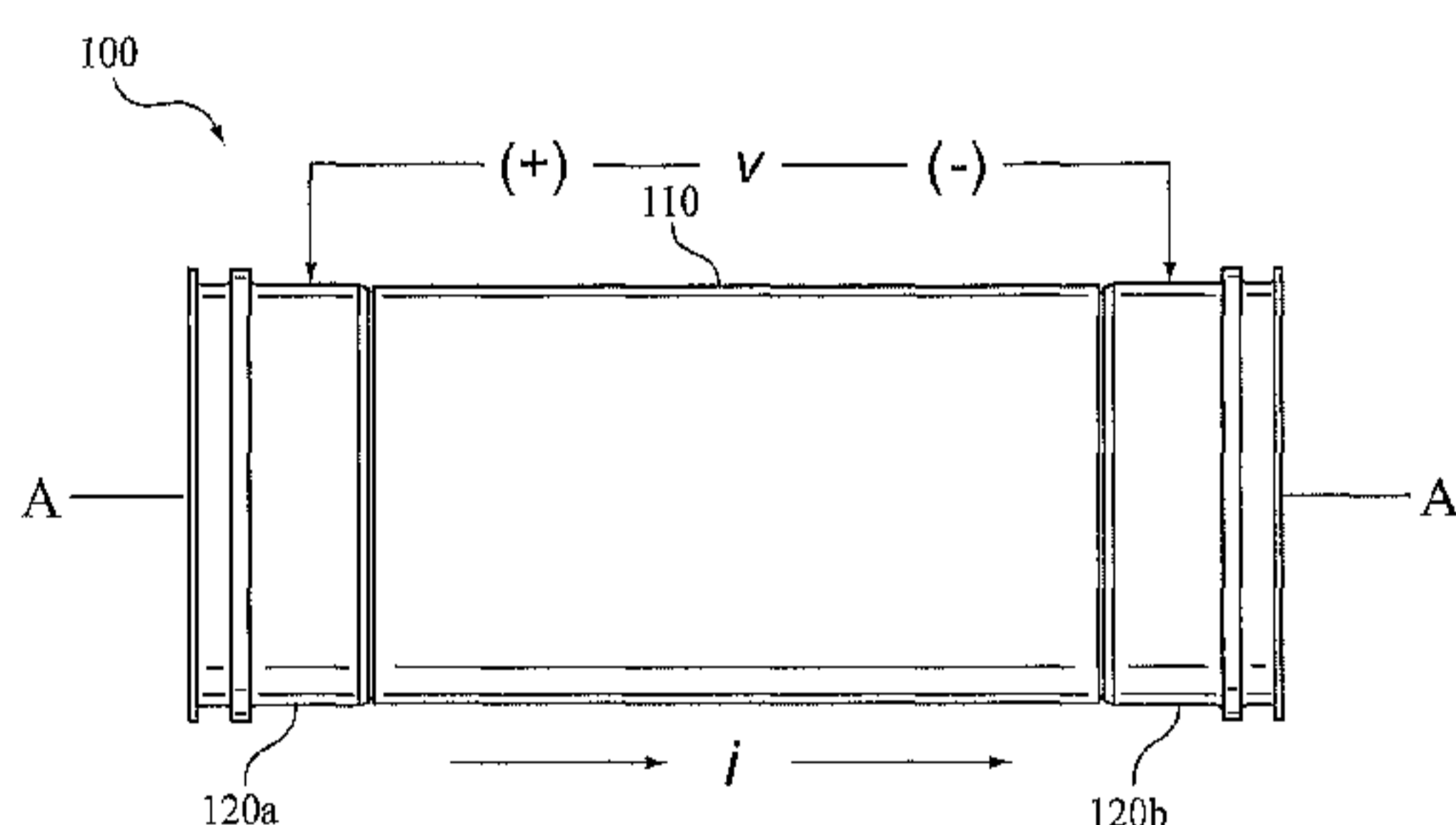


Figure 1A

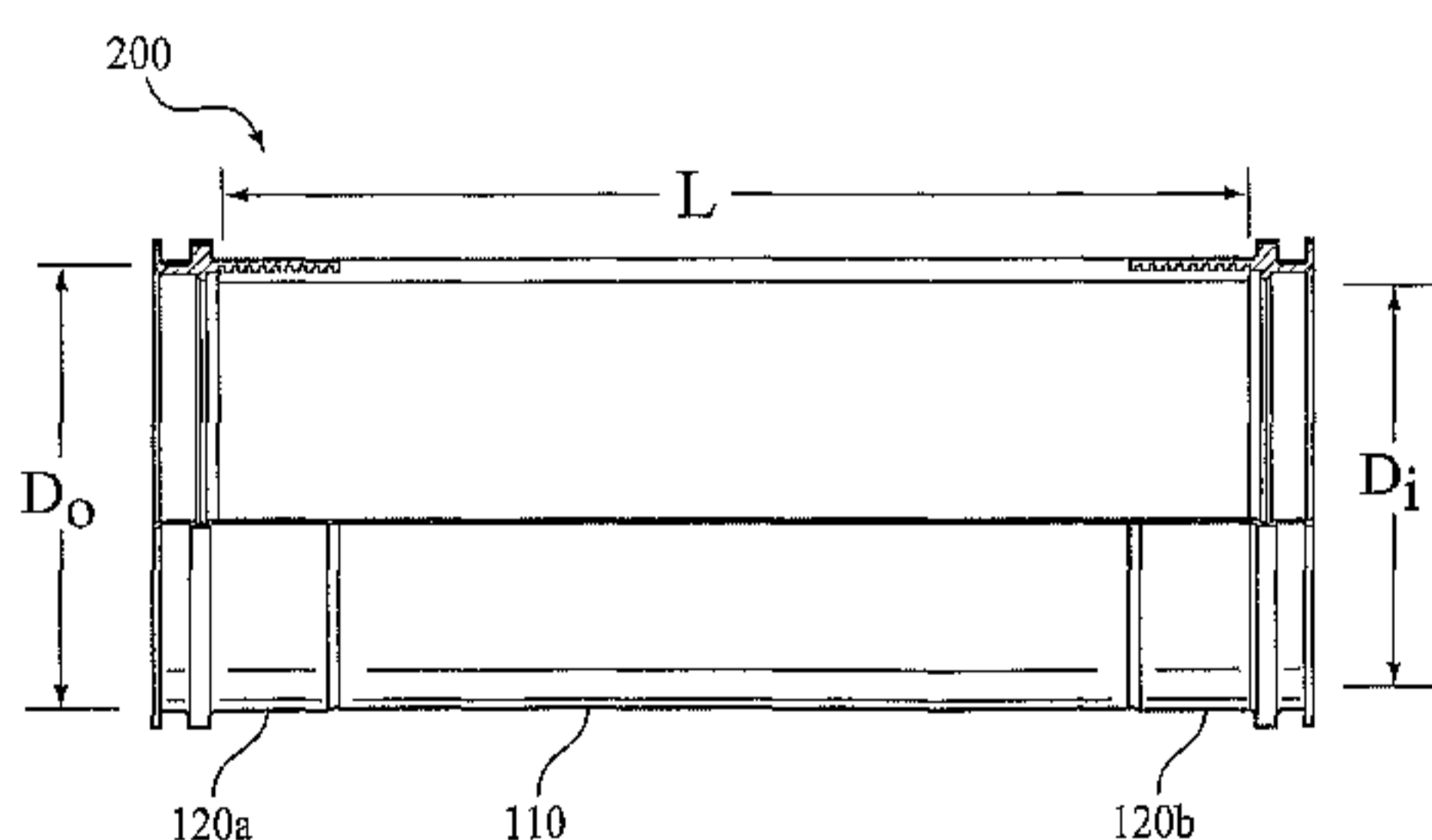


Figure 1B

(57) Abstract: The present application is directed to dielectric isolators for use in aircraft fuel systems to control lightning induced current and allow dissipation of electrostatic charge. The dielectric isolators are configured to have a high enough impedance to limit lightning currents to low levels, but low enough impedance to allow electrostatic charge to dissipate without allowing buildup. Although the dielectric isolators may develop a potential difference across the dielectric length due to the effects of lightning currents and its inherent impedance, they are configured to withstand these induced voltages without dielectric breakdown or performance degradation. In one embodiment, the dielectric isolator (100) includes a tube (110) constructed of a composition including a thermoplastic organic polymer (e.g., PEEK) and carbon nanotubes, and a pair of couplings (120a, b) attached to opposing ends of the tube (100). The dielectric isolator (100) is capable of exhibiting an electrical resistance from about  $10^5 \Omega$  to  $10^8 \Omega$  at an applied potential of greater than 500 volts DC when measured from one coupling (120a) to the other coupling (120b).

**WO 2010/001238 A1** 

---

- *before the expiration of the time limit for amending the claims and to be republished in the event of receipt of amendments (Rule 48.2(h))*

## DIELECTRIC ISOLATORS

### FIELD OF THE INVENTION

[0001] The present application pertains to dielectric isolators for use in fluid conveyance applications and, more particularly, to dielectric isolators that serve to control lightning induced current and allow dissipation of electrostatic charge in aircraft fuel systems.

### BACKGROUND

[0002] Dielectric fittings or isolators are known in the art and have found use in many applications, ranging from natural gas pipelines, where they isolate monitoring instruments from the effects of electrical current and interrupt cathodic current flow while permitting fluid flow, to providing a conduit for transferring liquid through selected locations as required or aircraft bulkhead structures. In the latter usage, the dielectric fitting contains integral fitting connections on both sides of the aircraft bulkhead that permit connections of tubes, hoses, or other fluid-carrying components. Such a dielectric fitting also provides a high electrical resistance path that limits electrical current flow between the two fitting connections, but allows for the gradual dissipation of electrostatic charge.

[0003] Thus, the primary functions of a dielectric fitting, also referred to as a static dissipative isolator, is to dissipate the electrical energy from static charges caused, in part, by fluid movements and to limit electrical current flow caused by the indirect effects of lightning, at such an occurrence. These fittings have the equally important secondary function of providing a safe fluid passage for the fluid passing through the fuel tank or other areas of the aircraft.

### SUMMARY

[0004] In one embodiment, a fluid carrying element for use in a dielectric isolator is disclosed. The fluid carrying element includes a tube constructed of a composition including PEEK and carbon nanotubes, wherein the tube composition exhibits a bulk volume resistivity from about  $10^3 \Omega\text{-cm}$  to  $10^{10} \Omega\text{-cm}$  at an applied potential of 5,000 volts DC.

[0005] In another embodiment, a dielectric isolator is disclosed. The dielectric isolator includes a tube constructed of a composition including a thermoplastic organic polymer and carbon nanotubes, and a pair of couplings attached to opposing ends of the tube. In this embodiment, the dielectric isolator exhibits an electrical resistance from about  $10^5 \Omega$  to  $10^8 \Omega$  at

an applied potential of greater than 500 volts DC when measured from one coupling to the other coupling.

[0006] In another embodiment, an inline-type dielectric isolator for use in an aircraft fuel system is disclosed. The dielectric isolator includes a tube constructed of a composition including PEEK, carbon nanotubes, and carbon fibers, and a pair of ferrules threadingly attached to opposing ends of the tube. In this embodiment, the dielectric isolator exhibits an electrical resistance from about  $10^5 \Omega$  to  $10^8 \Omega$  at an applied potential of greater than 500 volts DC when measured from one ferrule to the other ferrule.

[0007] In another embodiment, a bulkhead-type dielectric isolator for use in an aircraft fuel system is disclosed. The dielectric isolator includes a tube constructed of a composition including PEEK, carbon nanotubes, carbon fibers, and chopped glass fiber. The dielectric isolator further includes a pair of ferrules threadingly attached to opposing ends of the tube and a flange threadingly attached to the tube between the ferrules. In this embodiment, the dielectric isolator exhibits an electrical resistance from about  $10^5 \Omega$  to  $10^8 \Omega$  at an applied potential of greater than 500 volts DC when measured from one ferrule to the other ferrule.

#### BRIEF DESCRIPTION OF THE DRAWINGS

[0008] It will be appreciated that the illustrated boundaries of elements in the drawings represent only one example of the boundaries. One of ordinary skill in the art will appreciate that a single element may be designed as multiple elements or that multiple elements may be designed as a single element. An element shown as an internal feature may be implemented as an external feature and vice versa.

[0009] Further, in the accompanying drawings and description that follow, like parts are indicated throughout the drawings and description with the same reference numerals, respectively. The figures may not be drawn to scale and the proportions of certain parts have been exaggerated for convenience of illustration.

[0010] **Figures 1A** and **1B** illustrate a top plan and partial cross-sectional views, respectively, of one embodiment of an inline-type dielectric isolator **100**.

[0011] **Figure 2** illustrates a perspective view of one embodiment of a bulkhead-type dielectric isolator **200**.

[0012] **Figure 3** illustrates a perspective view of the bulkhead-type dielectric isolator **200** attached to a bulkhead **300**.

[0013] **Figure 4** illustrates a graph of electrical resistance (y-axis) vs. tube diameter size (x-axis) for pre-lightning strike testing of an exemplary tube composition.

[0014] **Figure 5** illustrates a graph of electrical resistance (y-axis) vs. tube diameter size (x-axis) for post-lightning strike testing of the same exemplary tube composition.

#### DETAILED DESCRIPTION

[0015] The present application is directed to dielectric isolators for use in aircraft fuel systems to control lightning induced current and allow dissipation of electrostatic charge. The dielectric isolators are configured to have a high enough impedance to limit lightning currents to low levels, but low enough impedance to allow electrostatic charge to dissipate without allowing buildup. Although the dielectric isolators may develop a potential difference across the dielectric length due to the effects of lightning currents and its inherent impedance, they are configured to withstand these induced voltages without dielectric breakdown or performance degradation.

[0016] **Figures 1A** and **1B** illustrate top plan and partial cross-sectional views, respective, of one embodiment of an inline-type dielectric isolator **100**. The dielectric isolator **100** includes a tube **110** for conveying a fluid, such as hydrocarbon aviation fuel or hydraulic oil. In basic dimensions, the tube **110** extends axially to a predetermined length **L** along a central longitudinal axis **A** and has an inner diameter  $D_i$  and outer diameter  $D_o$ . As shown in the illustrated embodiment, the tube **110** is cylindrical in shape having a circular cross-section with two opposing ends. It will be appreciated, however, that the tube **110** may be constructed in various other configurations including other cross-sectional shapes and multiple ends.

[0017] In one embodiment, the length **L** of the tube **110** can be from about 3 inches to 5 inches. In another embodiment, the length **L** of the tube **110** can be from about 2 inches to 9 inches. It will be appreciated, however, that the length can be above or below these ranges depending on the manufacturing technologies available to construct the tubes and depending on system and/or component requirements.

[0018] In one embodiment, the inner diameter  $D_i$  of the tube **110** can be from about 2 inches to 3 inches. In another embodiment, the inner diameter  $D_i$  can be from about 1.5 inches to

4 inches. It will be appreciated, however, that the inner diameter can be above or below these ranges depending on the manufacturing technologies available to construct the tubes depending on system and/or component requirements.

[0019] With continued reference to **Figures 1A** and **1B**, the dielectric isolator **100** includes a pair of couplings **120a,b** attached to opposing ends of the tube **110** that are each configured to be connected to a corresponding coupling (not shown) of a separate component (not shown). It will be appreciated that any type of coupling may be attached to the end of the tube **110** including, without limitation, threaded couplings, quick connect/disconnect couplings, or other types of couplings. Furthermore, the couplings **120a,b** are not limited to a specific size and can cover a wide range of both conventional and unconventional sizes.

[0020] The couplings **120a,b** may be constructed of a metallic material, such as aluminum or stainless steel. In one specific embodiment, the couplings **120a,b** are aluminum ferrules that conform to SAE AS5836-1-XX (flex) and SAE AS1656-1-XX (rigid) and are finished with a chemical conversion coat per MIL-C-5541. It will be appreciated that the coupling material is not necessarily limited thereto, provided that the dielectric isolator **100** satisfies the mechanical and electrical requirements of a given installation.

[0021] In the illustrated embodiment, the couplings **120a,b** are threadingly attached to the ends of the tube **110** via stub ACME threads. Alternatively, the couplings **120a,b** can be adhesively bonded to the ends of the tube **110**. Although many different types of adhesives may be used, one suitable adhesive that can be used to bond the couplings **120a,b** to the ends of the tube **110** is Araldite AV119 distributed by Huntsman Advanced Materials. It will be appreciated that the couplings **120a,b** can be attached to the ends of the tube **110** utilizing a variety of other attachment means. For example, the couplings **120a,b** can be riveted or swaged onto the ends of the tube **110** for attachment thereto. In all cases, a protective sealant (e.g., MIL-S-81733 or MIL-S-4383) may be applied to the faying surfaces between the couplings **120a,b** and the tube **110** to seal the adhesive bond (if present) from outside elements and to protect the metallic couplings **120a,b** from galvanic effects (depending on the material from which the tube **110** is constructed).

[0022] From a mechanical perspective, the tube **110** in the dielectric isolator **100** serves as a fluid carrying element to permit fluid to flow therethrough. However, from an electrical

perspective, the tube **110** in the dielectric isolator **100** also serves as a resistor having a high and robust electrical impedance to limit indirect currents associated with lightning events to low levels across the dielectric isolator **100**, but low enough surface impedance to allow electrostatic charge to dissipate without allowing buildup. In other words, the tube **110** allows enough surface current  $i$  to flow therethrough to prevent electrostatic charge build up due to fluid flow through the fuel line, yet limits the flow of current  $i$  associated with voltage  $v$  therethrough during a lightning strike to current levels that are relatively low and safe for the aircraft fuel system.

[0023] Because lightning isolation requires electrical robustness, the tube **110** must exhibit high resistance even after repeated exposure to high voltages. Some materials experience high voltage conditioning when exposed to high voltages such as those encountered in lightning isolation applications. High voltage conditioning is a phenomena that substantially decreases the effective resistance of a material after exposure to high voltages. Collapse in the effective resistance of the material increases the conductivity of the material, causing the material to substantially lose its isolator properties.

[0024] Accordingly, the tube **110** is constructed of an appropriate material that enables the tube **110** to be conductive enough to dissipate electrostatic charge build up associated with fuel flow through and over the tube **110**, while at the same time enabling the tube **110** to be resistive enough to prevent the flow of electrical current therethrough associated with lightning events. Additionally, the tube composition needs to be effectively immune to high voltage conditioning for the reasons discussed above. In other words, the tube material must maintain acceptable electrical performance after being subjected to repeated lightning strike events.

[0025] To meet these electrical requirements, the tube **110** may be constructed of a composition that includes a thermoplastic organic polymer, carbon nanotubes, and, optionally, other conductive carbon materials. In order to accommodate high voltage events, such tube compositions exhibit a bulk volume resistivity of about  $10^3 \Omega\text{-cm}$  to  $10^{10} \Omega\text{-cm}$  at an applied potential of 5,000 volts DC. Other voltages such as 1,000 volts DC or 10,000 volts DC may also be used, and the corresponding resistivity determined, however the resistivity should be approximately in the dissipating to insulating range, as described below.

[0026] Thermoplastic compositions that are subjected to high voltages tend to suffer degradation in their resistivity properties over time, in as little as one cycle when subjected to high voltage, or even during the ramp up to a high voltage. Thus, the tube compositions d herein are prepared to withstand high voltage events and maintain their resistivity properties. The phrase "bulk volume resistivity degradation," is used to refer to one measure of the overall degradation in resistivity due to high voltage events.

[0027] The bulk volume resistivity degradation of a composition is determined at a specified voltage (e.g. 100 volts DC, 500 volts DC, 1,000 volts DC, 5,000 volts DC, or other predetermined voltage), after a specified number of cycles. Such resistivity changes may be referred to as a five-strike bulk volume resistivity degradation, where five is the specified number of cycles. For example, a five-strike bulk volume resistivity degradation at 5,000 volts DC would be determined by subjecting the material to cycling between zero and 5,000 volts DC for five cycles, and measuring the resistivity at 5,000 volts DC during the first and fifth cycles. Desirably, the present compositions exhibits a five-strike bulk volume resistivity degradation of no more than a 20x factor after being cycled between zero and the specified voltage. In some embodiments, the compositions exhibit a five-strike bulk volume resistivity degradation of no more than a 15x, 10x, or even a 5x factor after being cycled between zero and the specified voltage, e.g., 5,000 volts DC. For example, if the maximum degradation is a 20x factor and the initial determination at the specified voltage is a bulk volume resistivity of  $6 \times 10^8 \Omega\text{-cm}$ , the bulk volume resistivity would be no less than  $3 \times 10^7 \Omega\text{-cm}$  at the fifth cycle. In other embodiments, the present compositions may exhibit a five-strike bulk volume resistivity degradation of no more than 50% after being cycled between zero and the specified voltage, e.g., after being cycled five (5) times between zero and 5,000 volts DC. In some embodiments, the present compositions exhibit a five-strike bulk volume resistivity degradation of no more than a 25%, 10%, 5%, or even as low as a 2% after being cycled between zero and the specified voltage, e.g., 5,000 volts DC. For example, when the composition exhibits a maximum degradation in its five-strike bulk volume resistivity degradation of no more than a factor of 50%, if the initial determination at the specified voltage is a bulk volume resistivity of  $6 \times 10^8 \Omega\text{-cm}$ , the bulk volume resistivity would be no less than  $3 \times 10^8 \Omega\text{-cm}$  at the fifth cycle; correspondingly for a maximum degradation of 25%, the bulk volume resistivity would be no less than  $4.5 \times 10^8 \Omega\text{-cm}$  at the fifth cycle.

[0028] As used herein, volume resistivity is the resistance (ohm-cm) to leakage current through the body of an insulating material. As used herein, surface resistivity (ohms per square) is defined as the resistance to leakage current along the surface of an insulating material. As the surface/volume resistivity increases, the leakage current and the conductivity of the material decrease.

[0029] As a reference point for volume resistivity, conductive materials such as metals are those materials having a volume resistivity of less than  $1 \times 10^{-4} \Omega\text{-cm}$ . In conductive materials, charges go to ground or to another conductive object that the material is in close proximity to or contacts. Electrostatic shielding materials have a volume resistivity of less than  $1 \times 10^3 \Omega\text{-cm}$ , but greater than or equal to  $1 \times 10^{-4} \Omega\text{-cm}$ . Dissipative materials have a volume resistivity of from about  $1 \times 10^3 \Omega\text{-cm}$  to  $1 \times 10^{10} \Omega\text{-cm}$ . For these materials, the charges flow to ground more slowly and in a somewhat more controlled manner than with conductive materials. For ESD-sensitive (electrostatic discharge) devices, these materials provide Faraday cage protection from energy transfer. Insulative materials are defined as those having a volume resistivity of at least  $1 \times 10^{10} \Omega\text{-cm}$ . Insulative materials prevent or limit the flow of electrons across their surface or through their volume, have a high electrical resistance, and are difficult to ground. Static charges remain in place on insulative materials for an extended period of time. Table 1 sets forth volume and surface resistivities for the above materials.

Table 1. Volume and Surface Resistivities for Material Types.

Material Type	Surface Resistivity ( $\Omega/\text{sq}$ )	Volume Resistivity ( $\Omega\text{-cm}$ )
Conductive	$<1 \times 10^{-4}$	$<1 \times 10^{-4}$
Electrostatic shielding	$\geq 1 \times 10^{-4}, <1 \times 10^4$	$\geq <1 \times 10^{-4}, <1 \times 10^3$
Dissipative	$\geq 1 \times 10^6, <1 \times 10^{11}$	$\geq 1 \times 10^3, <1 \times 10^{10}$
Insulative	$\geq 1 \times 10^{11}$	$\geq 1 \times 10^{10}$

[0030] As discussed above with respect to strike resistivity degradation, the tube compositions disclosed herein do not exhibit electrical "burn-in," or at least exhibit a substantially reduced "burn-in" as compared to other materials. "Burn in" refers to a phenomenon where materials, once exposed to a high voltage, do not return to their initial electrical resistance, but instead exhibit a reduced resistance. Compounds formulated without

carbon nanotubes tend to display such a “burn in” phenomenon. However, surprisingly, the tube compositions disclosed herein containing carbon nanotubes, eliminate, or at least substantially reduce, such “burn in.” Without being bound by theory, it is believed that compositions without carbon nanotubes, or high carbon nanotube loadings, are susceptible to material degradation and ionization when exposed to high voltages. Whereas, in the tube compositions disclosed herein, the carbon nanotubes provide an electrical conduit through the polymer matrix, when the compositions are exposed to a high voltage, such that ionization and degradation of the polymer matrix are avoided or at least substantially reduced. In other words, at high applied potentials, the compositions act as electrostatic dissipaters that allow a controlled release of a static charge build-up, thereby preventing, or at least substantially reducing, arcing or rapid discharge. Eliminating or substantially reducing the potential for generation of a spark from the compositions or the materials to which they are in contact, helps to reduce the risks for harm to the surrounding environment and people in close proximity to such a charge.

[0031] As discussed above, the tube compositions disclosed herein are insulative at low applied potentials, but is mildly conductive, i.e., the composition become dissipative, at high applied potentials. Thus, in one embodiment, by utilizing ASTM D-257, the tube composition is determined to be an insulator. As such, at an applied potential of 100 volts DC, the tube composition exhibits a volume resistivity of greater than or equal to  $10^9$   $\Omega$ -cm and, more typically, at least about  $10^{10}$   $\Omega$ -cm. However, in other embodiments, the tube compositions, at potentials of 1,000 volts DC, or greater, exhibit a volume resistivity of about  $10^3$   $\Omega$ -cm to  $10^{10}$   $\Omega$ -cm. The use of the standard protocol and specimen size with voltages higher than 100 volts DC, for example, over 1,000 volts DC, are referred to as a “modified ASTM D-257 protocol.” In one embodiment, a modified ASTM D-257 protocol results in the measurement of the bulk volume resistivity of the tube composition at 5,000 volts DC. The tube compositions disclosed herein desirably exhibit a bulk volume resistivity of about  $10^6$   $\Omega$ -cm to  $10^{10}$   $\Omega$ -cm at 5,000 volts DC.

[0032] ASTM D-257 is a standardized method for determining surface and volume resistivity of a material. Briefly, according to this method, a standard size specimen is placed between two electrodes, and a voltage is then applied for sixty seconds and the resistance is measured. Surface or volume resistivity is calculated, and apparent value is given for the sixty second electrification time. The method is well known and the full standard is available from

ASTM International, West Conshohocken, PA. In the determinations referred to in the present application, standard specimens having a standard ASTM D3801 flame bar shape and dimensions of 6" x 0.5" x 0.125" were formed from the present tube composition by injection molding.

[0033] In one embodiment, the thermoplastic organic polymer used in the tube composition is polyetheretherketone (PEEK). PEEK and other polyetherketones or polyetherketoneketones are described in patents such as EP 0 001 879, US 6,909,015, and US 6,274,770. The thermoplastic polymer may be present in the tube composition from about 50 wt% to 98 wt% in some embodiments, from about 55 wt% to 95 wt% in other embodiments, or from about 60 wt% to 90 wt% in yet other embodiments.

[0034] Without being bound to a single example, one commercially available PEEK is Victrex 150 P available from Victrex USA, West Conshohocken, PA. This PEEK material is commercially available as a powder that is a low viscosity grade of PEEK for use in extrusion compounding. PEEK is commercially available in a number of other grades and forms ranging from low medium and standard viscosity grades to easy flow and general purpose grades. The various grades of PEEK are known and all are flame resistant, and insulative. PEEK also exhibits wear resistance, low friction, and good chemical resistance, particularly to various fuels and other hydrocarbons. Aromatic PEEK, such as 4-(4-(4-oxyphenoxy)-phenoxy)-benzoyl polyetheretherketone, may be processed via extrusion or injection molding at polymer temperatures of about 360°C to 400°C.

[0035] In other embodiments, the thermoplastic organic polymer used in the tube composition can include other polymers typically used in injection molding applications. For example, such polymers include, but are not limited to, polyacetal, polyacrylic, polyalkylene terephthalate, polyalkylene terephthalate glycol, polycarbonate, polystyrene, polyester, polyamide, polyamideimide, polyarylate, polyarylsulfone, polyethersulfone, polyphenylene sulfide, polyvinyl chloride, polysulfone, polyimide, polyetherimide, polytetrafluoroethylene, polyetherketone, polyetheretherketone, polyetherketoneketone, polybenzoxazole, polyoxadiazole, polybenzothiazinophenothiazine, polybenzothiazole, polypyrazinoquinoxaline, polypyromellitimide, polyquinoxaline, polybenzimidazole, polyoxindole, polyoxoisindoline, polydioxoisindoline, polytriazine, polypyridazine, polypiperazine, polypyridine, polypiperidine,

polytriazole, polypyrazole, polypyrrolidine, polycarborane, polyoxabicyclononane, polydibenzofuran, polyphthalide, polyacetal, polyanhydride, polyvinyl ether, polyvinyl thioether, polyvinyl alcohol, polyvinyl ketone, polyvinyl halide, polyvinyl nitrile, polyvinyl ester, polysulfonate, polysulfide, polythioester, polysulfone, polysulfonamide, polyurea, polyphosphazene, polysilazane, polybutylene terephthalate, polyethyleneterephthalate glycol, or a blend of any two or more.

[0036] Carbon nanotubes, suitable for use in the tube composition, include both multi-wall and single wall nanotubes. Carbon nanotubes may be prepared using a variety of techniques, including, but not limited to, arc discharge, laser ablation, high pressure carbon monoxide (HiPCO), chemical vapor deposition (CVD), and catalytic chemical vapor deposition (CCVD). Such techniques may utilize vacuum techniques or processing gases. Carbon nanotubes can be of a wide variety of sizes. Single-walled carbon nanotubes have a shape that is reminiscent of a tube made by rolling a sheet of paper one time such that opposite sides of the sheet meet and abut one another. Whereas multi-walled tubes have a shape that is reminiscent of a scrolled sheet of paper, or chicken wire, that is rolled multiple times. The inner core region of the carbon nanotube may be hollow, or may comprise carbon atoms which are less ordered than the ordered carbon atoms of the outer region. As used herein, the phrase "ordered carbon atoms," refers to graphitic domains having their c-axes substantially perpendicular to the cylindrical axis of the carbon nanotube. The individual graphitic carbon layers are concentrically arranged around the long axis of the fiber like the growth rings of a tree, or like a scroll of hexagonal chicken wire. There is usually a hollow core a few nanometers in diameter, which may be partially or wholly filled with less organized carbon. Each carbon layer around the core may extend as much as several hundred nanometers. The spacing between adjacent layers may be determined by high resolution electron microscopy, and in some embodiments is only slightly greater than the spacing observed in single crystal graphite, i.e., from about 0.339 to 0.348 nanometers.

[0037] The term "carbon nanotubes" refers to an essentially cylindrical, discrete carbon tube, on the nanometer scale. Single-walled carbon nanotubes typically have a substantially constant diameter from about 2 nm to 100 nm. For example, from about 3 nm to 75 nm, from about 4 nm to 50 nm, from about 4 nm to 25 nm, or from about 5 nm to 15 nm, according to various embodiments. In one embodiment, the carbon nanotubes have a diameter from about 3.5 nm to 70 nm. The length of the carbon nanotubes may also vary and may cover a range from hundreds

of nanometers to the micron range. Typically, the length of a carbon nanotube is greater than about 100 times the diameter. For example, carbon nanotubes may have a length from about 100 nm to 10  $\mu\text{m}$ , from about 500 nm to 5  $\mu\text{m}$ , from about 750 nm to 5  $\mu\text{m}$ , from about 1  $\mu\text{m}$  to 5  $\mu\text{m}$ , or from about 1  $\mu\text{m}$  to 2  $\mu\text{m}$ , according to various embodiments. An outer region of single-walled or multi-walled nanotubes is made of essentially continuous layers of ordered carbon atoms and a distinct inner core region. In multi-walled tubes, each of the layers and core is disposed substantially concentrically about the cylindrical axis of the carbon nanotube. Preferably, the entire carbon nanotube is substantially free of thermal carbon overcoat.

[0038] As used herein, the term "cylindrical" is used herein in the broad geometrical sense, i.e., the surface traced by a straight line moving parallel to a fixed straight line and intersecting a curve. A circle or an ellipse are but two of the many possible curves of the cylinder.

[0039] The purity of the carbon nanotubes may also play a role in the effectiveness of the carbon nanotubes in the tube composition. The carbon nanotubes may have a purity of greater than 50 %, in some embodiments, of greater than 60 %, in some embodiments, of greater than 70 %, in some embodiments, of greater than 80 %, in some embodiments, or of greater than 90 %, in still other embodiments. Typically, the carbon nanotubes, due to manufacturing methods, contain metal oxide impurities. While the metal oxide impurities may or may not affect tube composition performance in some embodiments, the metal oxide content of the carbon nanotubes is less than 50 %. In other embodiments, the metal oxide content of the carbon nanotubes is less than 60 %, less than 40 %, less than 30 %, or less than 20 %. In still other embodiments, the carbon nanotubes have less than 10 % metal oxide impurities.

[0040] The carbon nanotubes may be present in the tube composition from about 0.05 wt% to 2 wt% in some embodiments, from about 0.1 wt% to 1 wt % in other embodiments, or from about 0.2 wt% to 0.5 wt% in yet other embodiments. In some embodiments, the tube composition have from about 0.2 wt% to 0.4 wt%, or from about 0.25 wt% to 0.35 wt%.

[0041] As discussed above, the tube composition may optionally include other carbon materials such as graphite, carbon black, carbon fiber, and/or milled carbon fiber as another conductor in addition to the carbon nanotubes. In one embodiment, the conductive carbon material is milled carbon fiber. The length of the carbon fibers may vary widely. In some embodiments, the average length of the milled carbon fibers is no more than about 0.5 mm. In

other embodiments, the average length of the milled carbon fibers is no more than 0.2 mm. The milled carbon fibers are present in the tube composition from 0 wt% to 20 wt% in some embodiments, from about 1 wt% to 10 wt% in other embodiments, or from about 4 wt% to 12 wt% in yet other embodiments.

[0042] The tube composition may contain a variety of other materials that may impact a variety of properties. For example, in some embodiments, the tube composition includes a reinforcement material such as glass fiber to provide rigidity and strength to parts or devices prepared from the tube composition. In some embodiments, the glass fiber is present in the tube composition from 0 wt% to 60 wt%, from about 5 wt% to 60 wt% in other embodiments, or from about 15 wt% to 40 wt% in yet other embodiments.

[0043] The tube compositions provided herein are amenable to injection molding processes. After compounding, the tube composition extrudate exits the extruder as a spaghetti-like material that is cooled and cut into small pieces for ease of handling, quick packaging and/or convenient shipping. Alternatively, bulk material could be extruded and used in a bulk process. An injection molding apparatus may then be charged with the extrudate and molded into parts or devices that may be used as is, or require additional machining to refine the device into a useable part. For example, tubing, connectors, threaded connectors, etc. may be prepared by injection molding processes.

[0044] Methods of preparing the tube composition are also provided. Methods may include blending all ingredients that will form the tube composition in a hopper and extruding the mixture. Alternatively, the methods may include several steps with the various ingredients being added at any given point in the process. For example, a first amount of a thermoplastic polymer may be compounded with carbon nanotubes in an extruder to produce a first extrudate. The first extrudate may then be blended with glass fiber, carbon fiber, and/or milled carbon fiber and subjected to a second extrusion to produce a second extrudate that is a tube composition. Compounding may take place in a single screw, twin screw, or other style extruder. The methods may also include tumbling all the ingredients of any particular stage of the preparation, prior to being fed to the extruder.

[0045] In preparing the tube composition, the same thermoplastic polymer may be used in the preparation of both the first and second extrudates, or different thermoplastic polymers may

be used. If different thermoplastic polymers are used in the steps, they may be chemically distinct polymers, or just different grades of the same polymer having varying viscosities, melt indices, or other polymeric properties.

[0046] With reference back to **Figures 1A** and **1B**, the tube **110** can be manufactured using a variety of manufacturing processes. For example, in a specific embodiment, the tube **110** is injection molded to a desired diameter and length. Alternative manufacturing processes that can be used to make the tube **110** include extruding and roto-molding (also referred to as compression molding).

[0047] When the dielectric isolator **100** is used in an aircraft fuel system, it needs to satisfy certain dielectric and lightning strike performance requirements. With respect to dielectric performance requirements, in one embodiment, the dielectric isolator **100** exhibits an electrical resistance of from about  $10^5 \Omega$  to  $10^8 \Omega$  when measured from end to end at an applied potential of 500 volts DC or greater, with one test probe located on the outside surface of one coupling (e.g., coupling **120a**) and another test probe located on the other coupling (e.g., coupling **120b**). Of course, when used in aircraft fuel systems, the dielectric isolator **100** is expected to exhibit this resistance range from initial installation to the aircraft end of life. Moreover, it will be appreciated that the electrical resistance range may be different depending on the desired application.

[0048] With respect to lightning strike performance requirements, in one specific embodiment, the dielectric isolator **100** should not exhibit electrical arcing or sparking, either internally or externally, or voltage/current waveform collapse during and after exposure to multiple (e.g., between ten and thirty) voltage pulses, in either (+/-) polarity, having peak amplitude of 9,000 volts that conform to voltage waveform B in accordance with SAE ARP5412. This simulated lightning strike testing is performed per ARP5416 where one test probe is located on the outside surface of one coupling (e.g., coupling **120a**) and another test probe is located on the other coupling (e.g., coupling **120b**). It will be appreciated that the lightning strike performance requirements may be different depending on the desired application.

[0049] To verify electrical robustness, the electrical resistance of the dielectric isolator **100** is measured after exposure to each and every simulated lightning test to verify that the electrical resistance remains within the desired range.

[0050] **Figure 2** illustrates a top plan view of another embodiment of dielectric isolator **200**. The dielectric isolator **200** is substantially similar to the inline-type dielectric isolator **100** described above and illustrated in **Figure 1** (structure and material), with the exception that it includes a flange **210** attached to the tube **110** between the couplings **120a,b**. The dielectric isolator **200** can be characterized as a bulkhead-type dielectric isolator because the flange **210** permits the dielectric isolator **200** to be attached to a bulkhead **300** of a vessel, such as an aircraft fuel tank, as shown in **Figure 3**. To facilitate attachment to the wall **300**, the flange **210** includes multiple holes **220** for receiving bolts or other types of fasteners.

[0051] The flange **210** can be constructed of a metallic material, such as aluminum or stainless steel. However, it will be appreciated that the flange material is not necessarily limited thereto, provided that the dielectric isolator **100** satisfies the mechanical and electrical requirements of a given installation.

[0052] In the illustrated embodiment, the flange **210** is threadingly attached to the ends of the tube **110** via stub ACME threads. Alternatively, the flange **210** can be adhesively bonded to the tube **110**. Although many different types of adhesives may be used, one suitable adhesive that can be used to bond the flange **210** to the tube **110** is Araldite AV119 distributed by Huntsman Advanced Materials. It will be appreciated that the flange **210** can be attached to the tube **110** utilizing a variety of other attachment means. For example, the flange **210** can be riveted onto the tube **110** for attachment thereto. In all cases, a protective sealant (e.g., MIL-S-81733 or MIL-S-4383) may be applied to the faying surfaces between the flange **210** and the tube **110** to seal the adhesive bond (if present) from outside elements and to protect the flange **210** from galvanic effects (depending on the material from which the tube **110** is constructed).

[0053] When the dielectric isolator **200** is used in an aircraft fuel system, it needs to satisfy certain dielectric and lightning strike performance requirements. With respect to dielectric performance requirements, in one specific embodiment, the dielectric isolator **200** exhibits an electrical resistance of from about  $10^5 \Omega$  to  $10^8 \Omega$  when measured from end to end at an applied potential of 500 volts DC or greater, with one test probe located on the outside surface of one coupling (e.g., coupling **120a**) and another test probe located on the flange **210**. Of course, when used in aircraft fuel systems, the dielectric isolator **200** is expected to exhibit this resistance

range from initial installation to the airplane end of life. Moreover, it will be appreciated that the electrical resistance range may be different depending on the desired application.

[0054] With respect to lightning strike performance requirements, in one specific embodiment, the dielectric isolator **200** should not exhibit electrical arcing or sparking, either internally or externally, or voltage/current waveform collapse during and after exposure to multiple (e.g., between ten and thirty) voltage pulses, in either (+/-) polarity, having peak amplitude of 9,000 volts that conform to voltage waveform B in accordance with SAE ARP5412. This testing is to be performed per ARP5416 where one test probe is located on the outside surface of one coupling (e.g., coupling **120a**) and another test probe is located on the flange **210**. It will be appreciated that the lightning strike performance requirements may be different depending on the desired application.

[0055] The present invention, thus generally described, will be understood more readily by reference to the following examples, which are provided by way of illustration and are not intended to be limiting.

#### EXAMPLES

[0056] Materials. CF is an abbreviation for carbon fiber, and MCF is an abbreviation for milled carbon fiber, prepared by milling the CF. The CF used in the following tables is Tenax 303 available from Toho Tenax, Rockwood, TN. GF is an abbreviation for glass fiber. The GF used in the following is Vetrotex EC 10, available from Owens Corning, Toledo, OH. PEEK is an abbreviation for polyetheretherketone. The PEEK used in the following tables is Victrex 150 P, available from Victrex USA, West Conshohocken, PA. CNT is an abbreviation for carbon nanotubes. The CNT used in the following tables was Nanocyl 7000, available from Nanocyl, Inc.

[0057] Each of the examples is a ladder study to determine the impact of the individual components of the compositions. Extruded compositions were prepared by compounding the PEEK with the CNT in a twin screw extruder to form a master batch of 10 wt% CNT in PEEK (MB CNT). The master batch was then further compounded with additional PEEK, and also the CF and the GF in a single-screw extruder. After extrusion and cooling, the compounded materials, were cut to appropriate dimensions.

[0058] Comparative Example 1: MCF and GF constant

Sample	PEEK (%)	MB CNT (%)	MCF (%)	GF (%)
1	43	2.0	12	25
2	38	2.5	12	25
3	33	3.0	12	25
4	28	3.5	12	25
5	23	4.0	12	25
6	18	4.5	12	25

[0059] Comparative Example 2: CNT and GF Constant

Sample	PEEK (%)	MB CNT (%)	MCF (%)	GF (%)
7	60	5	10	25
8	62	5	8	25
9	64	5	6	25
10	66	5	4	25

[0060] Example 1: GF Constant

Sample	PEEK (%)	MB CNT (%)	MCF (%)	GF (%)
11	67	5	3	25
12	68	5	2	25
13	65.5	3.5	6	25
14	67.5	3.5	4	25
15	68.5	3.5	3	25
16	69.5	3.5	2	25

[0061] Example 2: GF, MCF and PEEK Constant

Sample	PEEK (%)	MB CNT (%)	MCF (%)	GF (%)
26	67.3	3.7	4	25
27	67.5	3.5	4	25
28	67.7	3.3	4	25
29	67.9	3.1	4	25
30	68.1	2.9	4	25
31	68.3	2.7	4	25

[0062] Example 3: Volume Resistivities

Sample	Vol. Resistivity at 500 VDC ( $\Omega$ -cm)	Vol. Resistivity at 1000 VDC after 1 cycle ( $\Omega$ -cm)	Vol. Resistivity at 5000 VDC after 1 cycles ( $\Omega$ -cm)
11	1.923E+06	5.123E+07	TC
12	NR/I	1.775E+06	TC
13	NR/I	NR/I	5.00E+08
14	NR/I	NR/I	7.58E+08

15	NR/I	NR/I	NR/I
16	NR/I	NR/I	NR/I
26	2.79E+05	1.76E+05	2.92E+04
27	1.69E+06	8.98E+05	1.07E+05
28	7.81E+08	5.21E+08	2.73E+07
29	---	---	---
30	---	---	---
31	---	---	---

TC = Too Conductive to measure

NR/I = No Reading as the material was too insulative to determine.

[0063] In the above examples, comparative examples 1 and 2 were found to be too conductive for application in a high strike voltage application. As noted, it is desired that upon application of a voltage such as 5,000 volts DC, the composition that is nominally insulative, will exhibit a bulk volume resistivity from about  $10^3 \Omega\text{-cm}$  to  $10^{10} \Omega\text{-cm}$ , which is then a dissipative or shielding material. The other examples are illustrative of the at least some of the breadth of the compositions that meet the desired properties. Other compositions will be evident to those of skill in the art based upon the described embodiments.

[0064] One exemplary composition includes a thermoplastic organic polymer, a plurality of carbon nanotubes, and a plurality of carbon fibers, where the composition exhibits a bulk volume resistivity from about  $10^3 \Omega\text{-cm}$  to  $10^{10} \Omega\text{-cm}$  at 5,000 volts DC, and the thermoplastic organic polymer includes about 60 wt% to 75 wt% 4-(4-(4-oxyphenoxy)-phenoxy)-benzoyl polyetheretherketone. In such compositions, from about 60 wt% to 75 wt% of the thermoplastic organic polymer may be present, from about 0.2 to 0.5 wt% of the carbon nanotubes may be present, from about 15 to 40 wt% of the glass fiber may be present; and from about 2 to 7 wt% of the carbon fibers may be present. The composition may exhibit a bulk volume resistivity of about  $10^6 \Omega\text{-cm}$  to about  $10^{10} \Omega\text{-cm}$  at 5,000 volts DC. In such materials, the composition may exhibit a bulk volume resistivity of at least about  $10^6 \Omega\text{-cm}$  at 100 volts DC. In other embodiments, the tube composition may exhibit a bulk volume resistivity of at least about  $10^8 \Omega\text{-cm}$  at 100 volts DC, or, alternatively, at least about  $10^9 \Omega\text{-cm}$  at 100 volts DC.

[0065] Example 4: Electrical Resistance of Dielectric Isolator

[0066] In one particular aircraft fuel system application, dielectric isolators were required to exhibit an electrical resistance of from about  $10^5 \Omega$  to  $10^8 \Omega$  when measured from end to end at

an applied potential of 500 volts DC or greater. To meet these requirements, inline-type dielectric isolators, similar to the ones described above and illustrated in **Figures 1A** and **1B**, were injection molded from a material that contained 67.5 wt % PEEK, 0.35 wt % carbon nanotubes, 4 wt % carbon fibers, and 25 wt % glass fiber. The dielectric isolators were molded into cylindrical tubes having three different nominal diameters: 0.75 inches, 2 inches, and 4 inches. Aluminum ferrules that conform to SAE AS5836-1-XX (flex) and SAE AS1656-1-XX (rigid) and finished with a chemical conversion coat per MIL-C-5541 were attached to the ends of the tubes via stub ACME threads. The overall length of each dielectric isolator was 5.4 inches from the end of one ferrule to the end of the other ferrule.

[0067] Each dielectric isolator was tested for dielectric performance (pre-lightning test) by measuring the electrical resistance of the dielectric isolator from end to end at an applied potential of 500 volts DC or greater (as high as 6,000 volts DC), with one test probe located on the outside surface of one ferrule and another test probe located on the other ferrule. As shown in **Figure 4**, the test results show that a very large percentage of the dielectric isolators met the resistance requirements from about  $10^5 \Omega$  to  $10^8 \Omega$ . However, as indicated by the process variability bandwidth in the graph of **Figure 4**, full coverage would not exist for 0.5 inch diameter isolators as well as 4 inch diameter isolators. To meet the electrical resistance requirements across the entire size matrix, it has been proposed to provide two slightly different tube compositions – one tube composition with a slightly higher carbon fiber content (e.g., 4.2 wt %) and another tube composition with a slightly lower carbon fiber content (e.g., 3.8 wt %). Generally, by increasing the carbon fiber content in the composition, the electrical resistance of the isolator decreases.

[0068] After completing the measurement of the electrical resistance of the dielectric isolators described above, the isolators were then exposed to simulated lightning events consisting of twelve voltage pulses, six in each polarity (positive and negative), having a peak amplitude of 9,000 volts that conform to voltage waveform B in accordance with SAE ARP5412. The testing was performed per SAE ARP5416 with one test probe located on the outside surface of one ferrule and another test probe located on the other ferrule. To pass the test, each isolator should not exhibit electrical arcing or sparking, either internally or externally, or voltage/current waveform collapse during and after exposure to the twelve voltage pulses. At the conclusion of

the testing, all of the isolators passed the simulated lightning strike test as none of them exhibited an arc, spark, or waveform collapse.

[0069] Each dielectric isolator was then retested for dielectric performance (post-lightning test) by measuring the electrical resistance of the dielectric isolator from end to end at an applied potential of 500 volts DC or greater (as high as 6,000 volts DC), with one test probe located on the outside surface of one of the ferrules and another test probe located on the other ferrule, to ensure that the electrical resistance for each isolator was still between about  $10^5 \Omega$  and  $10^8 \Omega$ . As shown in **Figure 5**, the test results show that a large percentage of the dielectric isolators met the resistance requirements of between about  $10^5 \Omega$  and  $10^8 \Omega$  following the simulated lightning strike test.

[0070] While several, non-limiting examples have been illustrated and described, it should be understood that changes and modifications can be made therein in accordance with ordinary skill in the art without departing from the invention in its broader aspects as defined in the following claims.

[0071] It will be appreciated that the dielectric isolators **100**, **200** described above are particularly suited for use in aircraft fuel systems because they allow enough current to flow therethrough to prevent electrostatic charge build up due to fluid flow through or around the outer surface of the fuel line, yet limit the flow of indirect current associated with voltage therethrough during a lightning strike to current levels that are relatively low and safe for the aircraft fuel system. They are electrically robust in that repeated lightning events should not materially affect their electrical resistances. Additionally, because a substantial portion of the tube composition includes PEEK, the dielectric isolators **100**, **200** are lightweight, yet have a high mechanical strength. Moreover, since the dielectric isolators **100**, **200** are injection molded, one or more of the following benefits can be achieved: quick process cycle time, inexpensive process cost, minimal porosity issues, and reduced scrap.

[0072] It will be appreciated that the dielectric isolators **100**, **200** described above are not only useful in aircraft fuel systems, but also can be utilized in many other applications including, without limitation, petroleum and other fluid distribution applications.

[0073] For the purposes of this disclosure and unless otherwise specified, “a” or “an” means “one or more.” To the extent that the term “includes” or “including” is used in the specification or the claims, it is intended to be inclusive in a manner similar to the term “comprising” as that term is interpreted when employed as a transitional word in a claim. Furthermore, to the extent that the term “or” is employed (e.g., A or B) it is intended to mean “A or B or both.” When the applicants intend to indicate “only A or B but not both” then the term “only A or B but not both” will be employed. Thus, use of the term “or” herein is the inclusive, and not the exclusive use. See, Bryan A. Garner, *A Dictionary of Modern Legal Usage* 624 (2d. Ed. 1995). Also, to the extent that the terms “in” or “into” are used in the specification or the claims, it is intended to additionally mean “on” or “onto.” Furthermore, to the extent the term “connect” is used in the specification or claims, it is intended to mean not only “directly connected to,” but also “indirectly connected to” such as connected through another component or multiple components.

[0074] As used herein, “about” will be understood by persons of ordinary skill in the art and will vary to some extent depending upon the context in which it is used. If there are uses of the term which are not clear to persons of ordinary skill in the art, given the context in which it is used, “about” will mean up to plus or minus 10% of the particular term. From about X to Y is intended to mean from about X to about Y, where X and Y are the specified values.

[0075] While the present application illustrates various embodiments, and while these embodiments have been described in some detail, it is not the intention of the applicant to restrict or in any way limit the scope of the claimed invention to such detail. Additional advantages and modifications will readily appear to those skilled in the art. Therefore, the invention, in its broader aspects, is not limited to the specific details and illustrative examples shown and described. Accordingly, the scope of the claims should not be limited by particular embodiments set forth herein, but should be construed in a manner consistent with the specification as a whole. Moreover, the foregoing embodiments are illustrative, and no single feature or element is essential to all possible combinations that may be claimed in this or a later application.

**CLAIMS:**

1. A fluid carrying element comprising:  
a tube constructed of a composition including about 65.5 wt % to 67.7 wt % polyetheretherketone (PEEK), about 0.2 wt % to 0.5 wt % carbon nanotubes, and about 2 wt % to 7 wt % milled carbon fibers,  
wherein the tube composition exhibits a bulk volume resistivity from about  $10^3 \Omega\text{-cm}$  to  $10^{10} \Omega\text{-cm}$  at an applied potential of 5,000 volts DC.
2. The fluid carrying element of claim 1, wherein the tube composition further comprises glass fiber.
3. The fluid carrying element of claim 2, wherein the tube composition includes from about 5 wt % to 32.3 wt % of the glass fiber.
4. The fluid carrying element of claim 2, wherein the tube composition includes from about 15 wt % to 32.3 wt % of the glass fiber.
5. The fluid carrying element of claim 1, wherein the tube composition exhibits a five-strike bulk volume resistivity degradation of no more than a factor of 50% at an applied potential of greater than 5,000 volts DC.
6. The fluid carrying element of claim 1, wherein the tube composition includes from about 0.2 to 0.4 wt % of the carbon nanotubes.
7. A dielectric isolator comprising:  
a tube constructed of a composition including about 65.5 wt % to 67.7 wt % polyetheretherketone (PEEK), about 0.2 wt % to 0.5 wt % carbon nanotubes, and about 2 wt % to 7 wt % milled carbon fibers,

wherein the tube composition exhibits a bulk volume resistivity from about  $10^3 \Omega\text{-cm}$  to  $10^{10} \Omega\text{-cm}$  at an applied potential of 5,000 volts DC, and  
a pair of couplings attached to opposing ends of the tube.

8. The dielectric isolator of claim 7, wherein the tube composition further comprises glass fiber.

9. The dielectric isolator of claim 8, wherein the tube composition includes from about 5 wt % to 32.3 wt % of the glass fiber.

10. The dielectric isolator of claim 8, wherein the tube composition includes from about 15 wt % to 32.3 wt % of the glass fiber.

11. The dielectric isolator of claim 7, further comprising a flange attached to the tube between the end couplings and configured to be attached to a bulkhead.

12. The dielectric isolator of claim 11, wherein the flange is constructed of aluminum and attached to the tube via stub ACME threads.

13. The dielectric isolator of claim 7, wherein the dielectric isolator is capable of not exhibiting electrical arcing or sparking, either internally or externally, or waveform collapse during and after exposure to twelve voltage pulses, six in each polarity (positive and negative), having a peak amplitude of 9,000 volts that conform to voltage waveform B in accordance with SAE ARP5412.

14. An inline-type dielectric isolator for use in an aircraft fuel system, the dielectric isolator comprising:

a tube constructed of a composition including about 65.5 wt % to 67.7 wt % polyetheretherketone (PEEK), about 0.2 wt % to 0.5 wt % carbon nanotubes, and about 2 wt % to 7 wt % milled carbon fibers,

wherein the tube composition exhibits a bulk volume resistivity from about  $10^3$   $\Omega$ -cm to  $10^{10}$   $\Omega$ -cm at an applied potential of 5,000 volts DC, and  
a pair of ferrules threadingly attached to opposing ends of the tube.

15. The dielectric isolator of claim 14, wherein the tube composition further comprises glass fiber.

16. The dielectric isolator of claim 15, wherein the tube composition includes from about 15 wt % to 32.3 wt % of the glass fiber.

17. A bulkhead-type dielectric isolator for use in an aircraft fuel system, the dielectric isolator comprising:

a tube constructed of a composition including about 65.5 wt % to 67.7 wt % polyetheretherketone (PEEK), about 0.2 wt % to 0.5 wt % carbon nanotubes, and about 2 wt % to 7 wt % milled carbon fibers,

wherein the tube composition exhibits a bulk volume resistivity from about  $10^3$   $\Omega$ -cm to  $10^{10}$   $\Omega$ -cm at an applied potential of 5,000 volts DC, and  
a pair of ferrules threadingly attached to opposing ends of the tube; and  
a flange threadingly attached to the tube between the ferrules.

18. The dielectric isolator of claim 17, wherein the tube composition further includes from about 15 wt % to 32.3 wt % of the glass fiber.

19. The dielectric isolator of claim 17, wherein the dielectric isolator is capable of not exhibiting electrical arcing or sparking, either internally or externally, or waveform collapse during and after exposure to twelve voltage pulses, six in each polarity (positive and negative), having a peak amplitude of 9,000 volts that conform to voltage waveform B in accordance with SAE ARP5412.

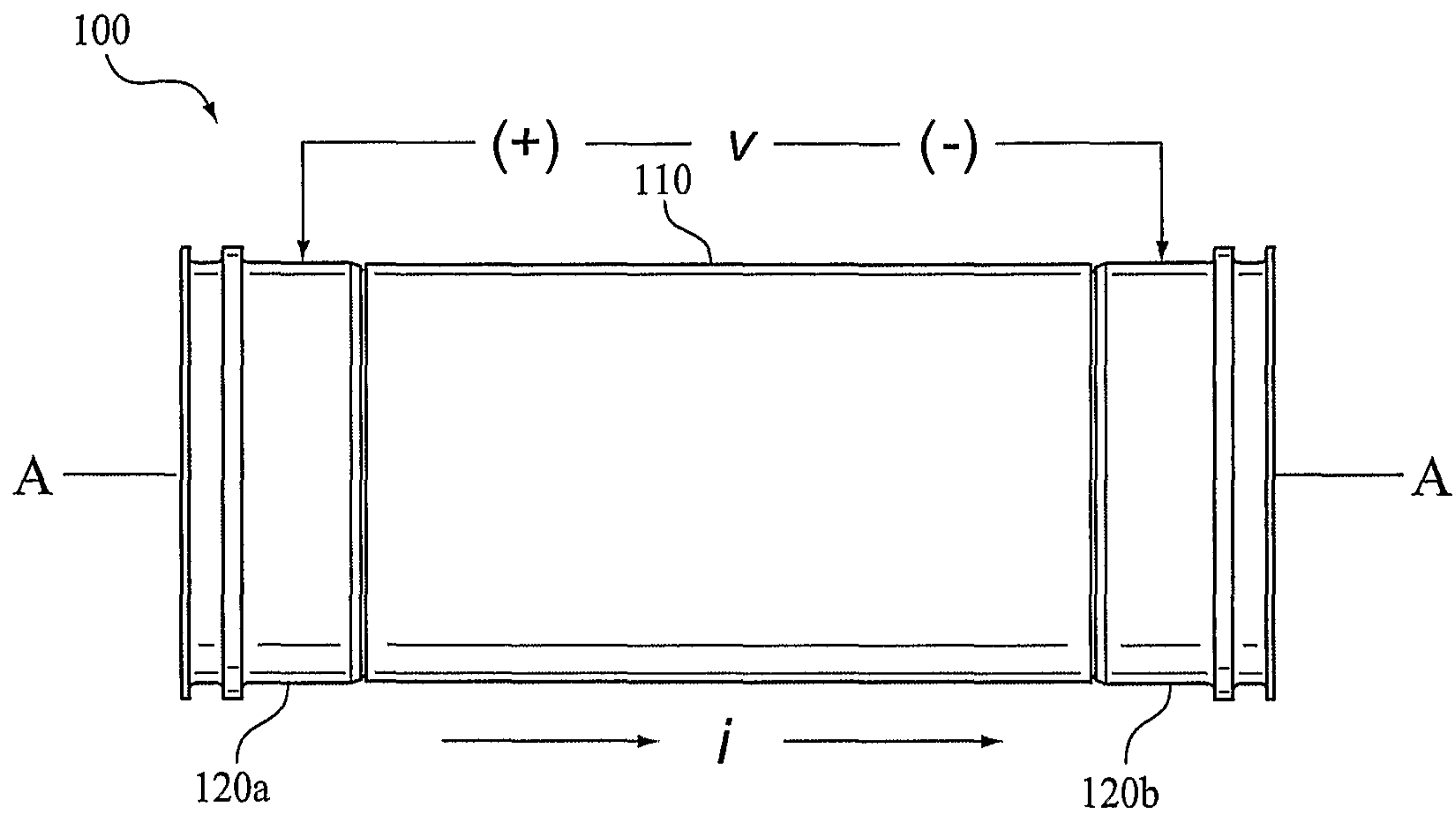


Figure 1A

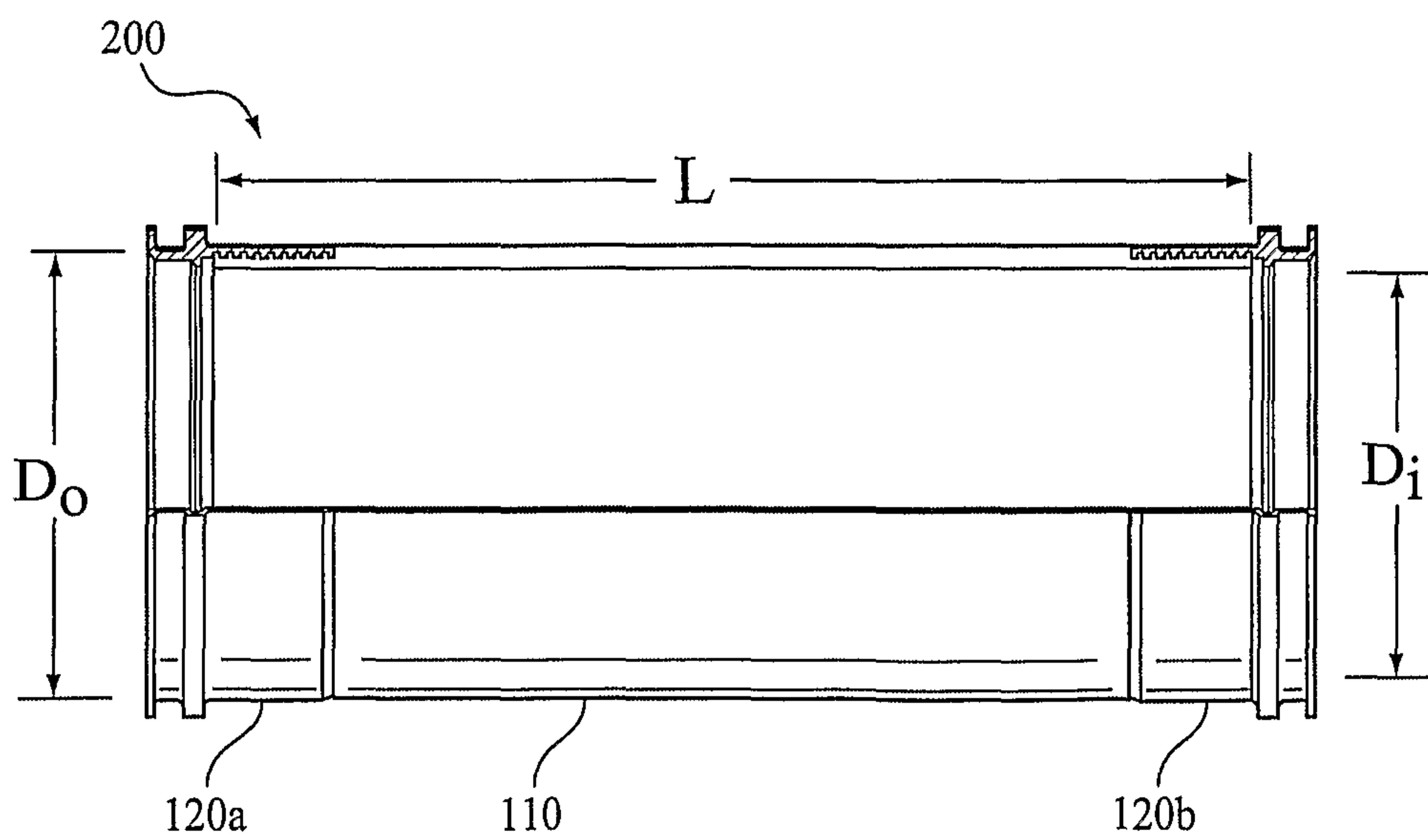


Figure 1B

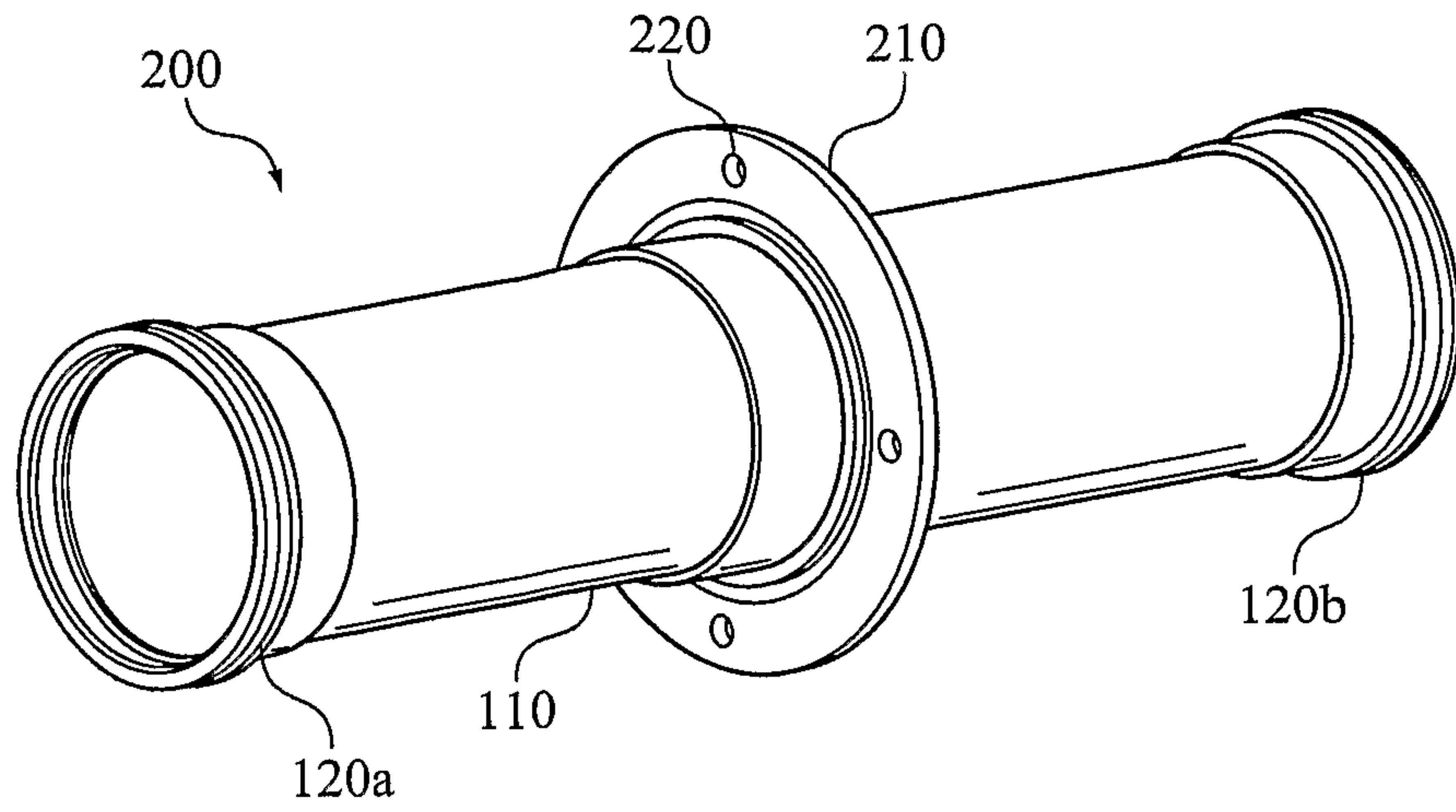


FIG. 2

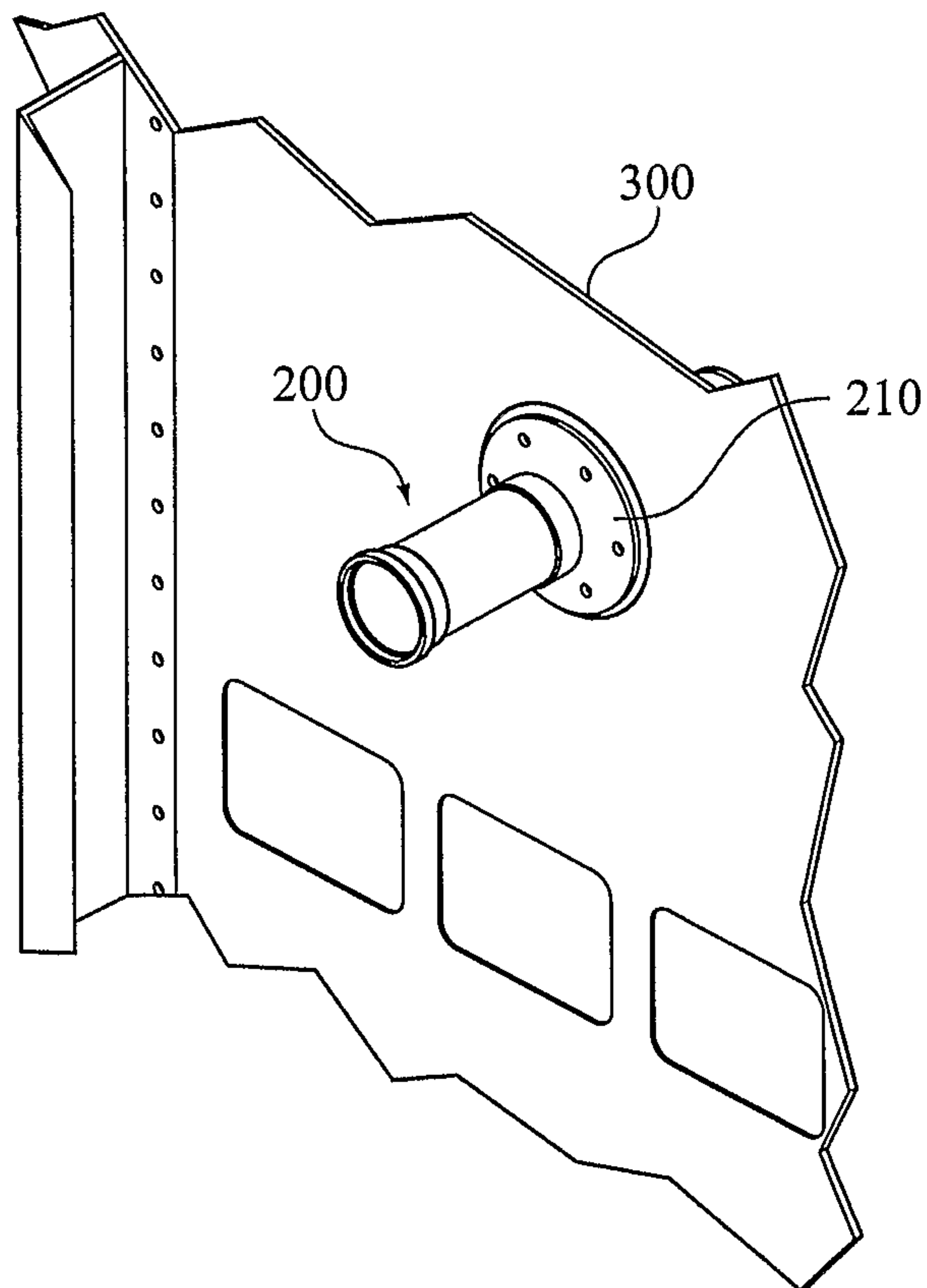
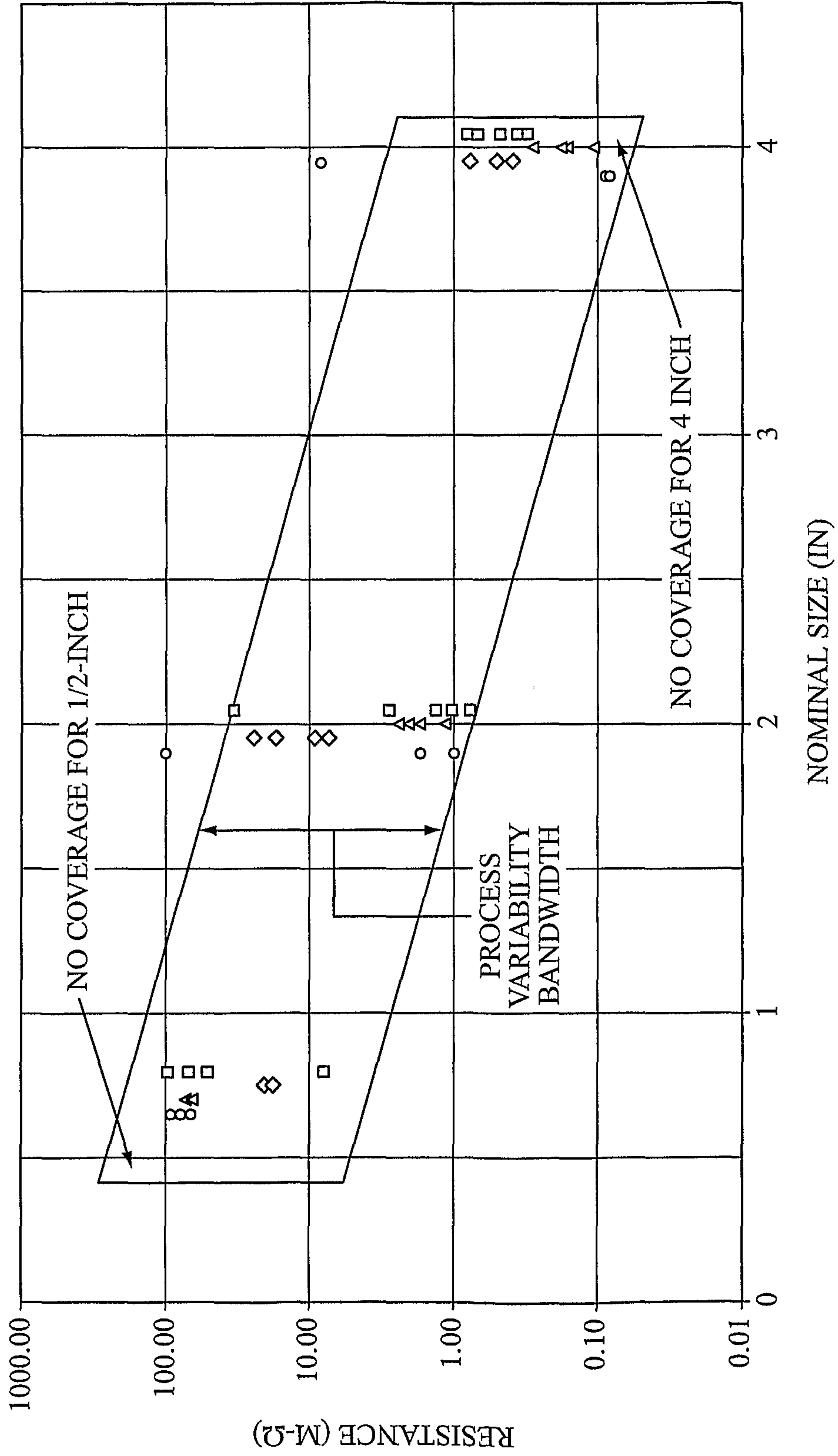


FIG. 3



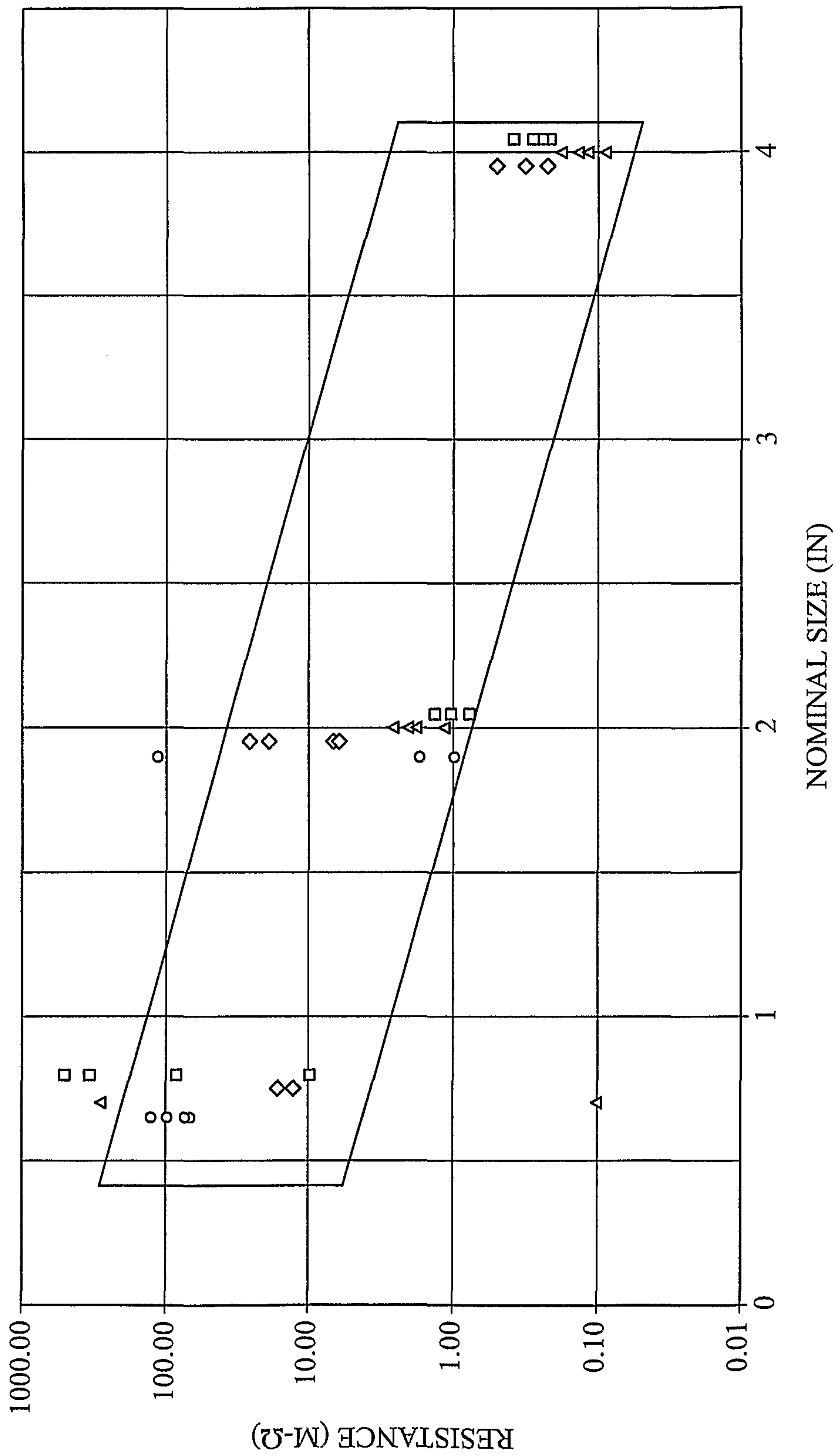
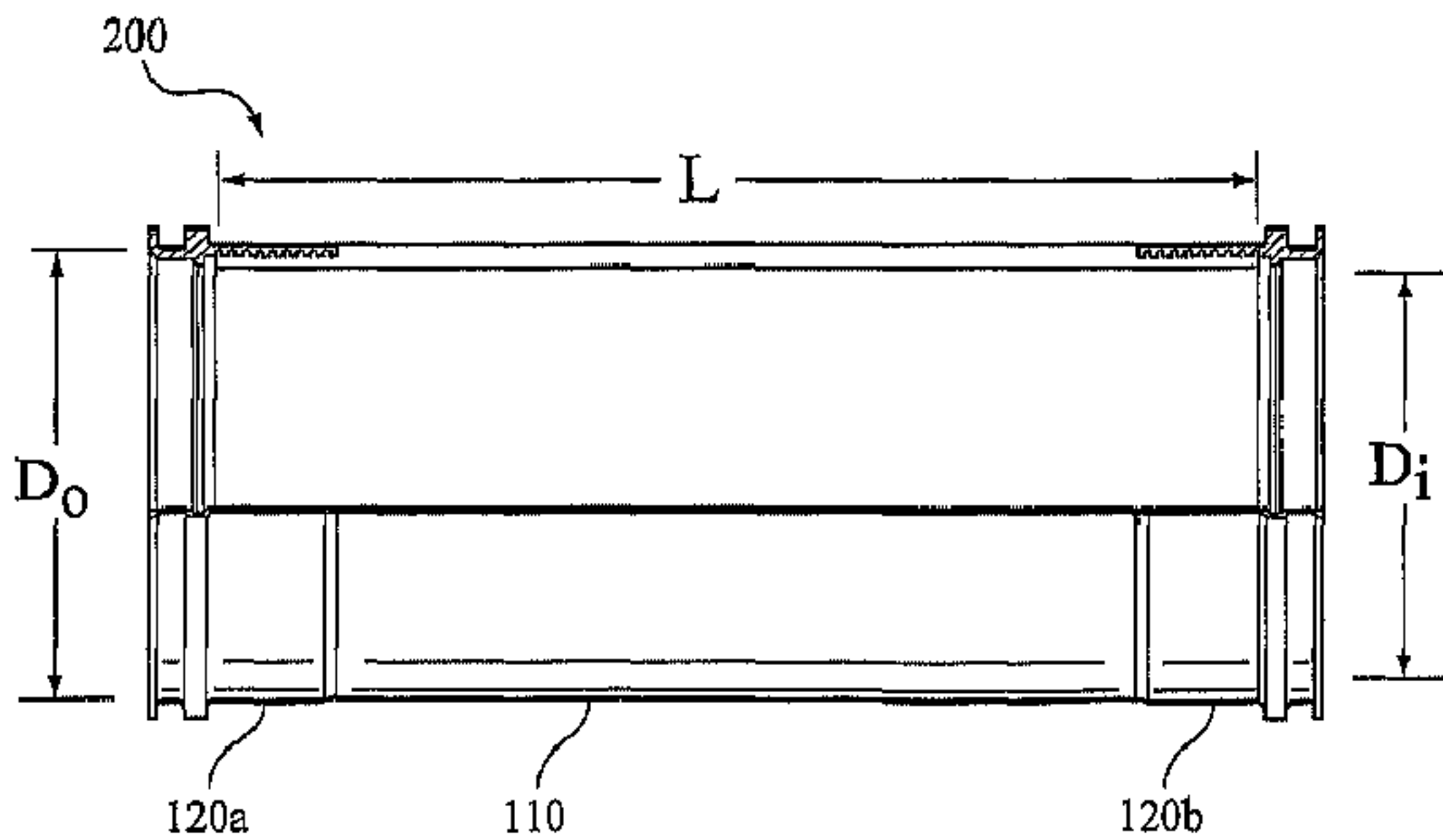
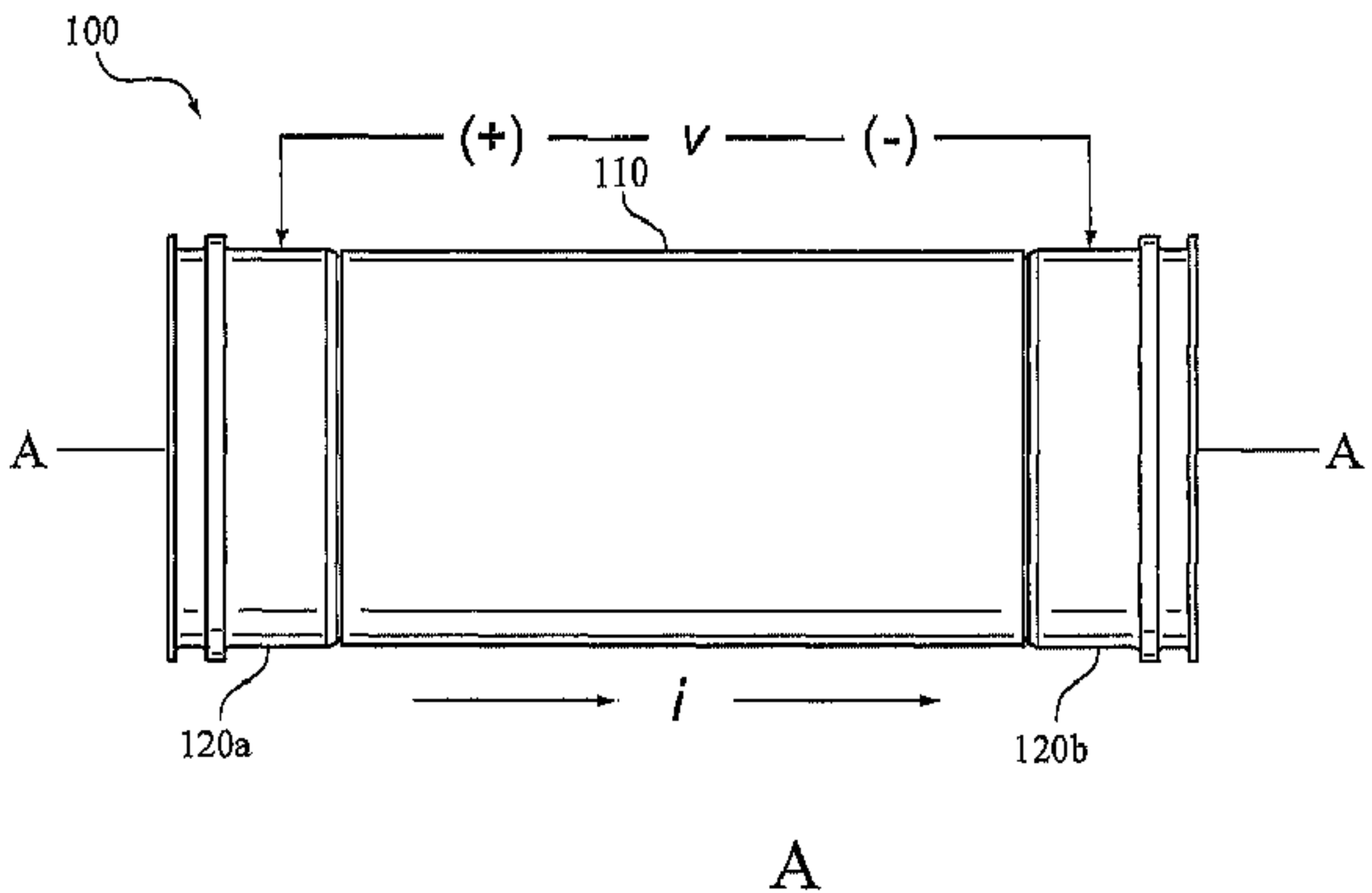


FIG. 5



B