



US0D1007680S

(12) **United States Design Patent** (10) **Patent No.:** **US D1,007,680 S**  
**Blazevich** (45) **Date of Patent:** **\*\* Dec. 12, 2023**

(54) **EYE DROP DISPENSER**

FOREIGN PATENT DOCUMENTS

(71) Applicant: **John Z. Blazevich**, Palos Verdes Peninsula, CA (US)

CA 132553 \* 5/2010  
JP 2019217056 A 12/2019

(72) Inventor: **John Z. Blazevich**, Palos Verdes Peninsula, CA (US)

OTHER PUBLICATIONS

(\*\*) Term: **15 Years**

Opticare Eye Dropper Dispenser, McArthur Medical Sales, [Post date: unknown], [Site seen May 11, 2023], Seen at URL: <https://mmsiastore.com/product/opticare-eye-dropper-dispenser/> (Year: 2023).\*

(21) Appl. No.: **29/872,780**

(Continued)

(22) Filed: **Mar. 17, 2023**

(51) **LOC (14) Cl.** ..... **09-01**

(52) **U.S. Cl.** ..... **D9/529; D24/127**  
USPC .....

(58) **Field of Classification Search**  
USPC ..... D24/112-115, 127-130, 152, 186;  
D9/519, 522, 589, 552, 571, 454  
CPC ..... A61F 9/0008; B65D 23/102; B65D  
2501/0081; B65D 1/0223

See application file for complete search history.

*Primary Examiner* — Natasha Vujcic  
*Assistant Examiner* — Gilbert B Ford

(74) *Attorney, Agent, or Firm* — Knobbe, Martens, Olson & Bear, LLP

(57) **CLAIM**

The ornamental design for an eye drop dispenser, as shown and described.

**DESCRIPTION**

(56) **References Cited**

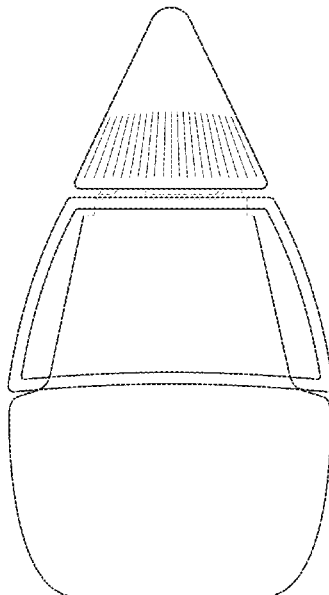
U.S. PATENT DOCUMENTS

2,209,192	A	7/1940	Demsey	
4,805,750	A	2/1989	Nitz	
4,909,801	A	3/1990	Casey et al.	
D424,690	S *	5/2000	Szabo	D24/115
D426,300	S *	6/2000	Conforti	D24/115
6,508,793	B1	1/2003	Harrold	
D545,203	S *	6/2007	Perry	D9/452
D550,355	S *	9/2007	Racz	D24/129
D575,643	S *	8/2008	Florio	D9/435
D592,957	S *	5/2009	Davis	D9/551
D596,945	S *	7/2009	Barnett	D24/197
D604,166	S *	11/2009	Gallo	D9/551
D628,490	S	12/2010	Sato et al.	
D651,903	S *	1/2012	Teller	D9/521
8,216,195	B2	7/2012	Wu	
D681,478	S *	5/2013	Riffe	D9/569

(Continued)

FIG. 1 is a front view of an eye drop dispenser embodying my new design, the rear view being a mirror image; FIG. 2 is a left side view thereof, the right side view being a mirror image; FIG. 3 is a top view thereof; FIG. 4 is a bottom view thereof; FIG. 5 is a front view thereof in an alternate position, showing an eye cup of the eye drop dispenser in an inverted deployed position and excluding a cap of the eye cup dispenser; and, FIG. 6 is a top view thereof in an alternate position, with the eye cup of the eye drop dispenser in an inverted deployed position and excluding a cap of the eye cup dispenser. Broken lines are used to illustrate features of the eye drop dispenser which form no part of the claimed design.

**1 Claim, 3 Drawing Sheets**



(56) **References Cited**

U.S. PATENT DOCUMENTS

D758,867	S *	6/2016	Tsai	.....	D9/519
9,763,826	B2	9/2017	Cooper		
D887,845	S *	6/2020	LaPierre	.....	D9/503
2004/0007556	A1	1/2004	Manera		
2007/0045354	A1	3/2007	Boyd et al.		
2007/0073231	A1 *	3/2007	Lee	.....	B65D 47/18 604/132
2007/0086507	A1 *	4/2007	Kim	.....	A61F 9/0008 374/150
2007/0233020	A1 *	10/2007	Hearne	.....	B65D 47/18 604/295
2010/0145287	A1 *	6/2010	Grevin	.....	B65D 50/046 604/295
2013/0220967	A1	8/2013	Wang		
2014/0350492	A1 *	11/2014	Rojas Escalante	..	B65D 23/102 604/295
2015/0351960	A1 *	12/2015	Cooper	.....	A61F 9/0026 604/521

OTHER PUBLICATIONS

Autodrop Eye Drop Guide, Caregiversproducts.com, [Post date: Dec. 5, 2012], [Site seen May 11, 2023], Seen at URL: <https://www.caregiverproducts.com/autodrop-eye-drop-guide.html> (Year: 2012).\*

Rhoto All-in-One Lubricant redness reliever, Rhoto, rohtoeyedrops.com, [Post date: Sep. 30, 2022], [Site seen May 11, 2023], Seen at URL: <https://rohtoeyedrops.com/products/rohto-all-in-one-multi-symptom-eye-drops> (Year: 2022).\*

\* cited by examiner

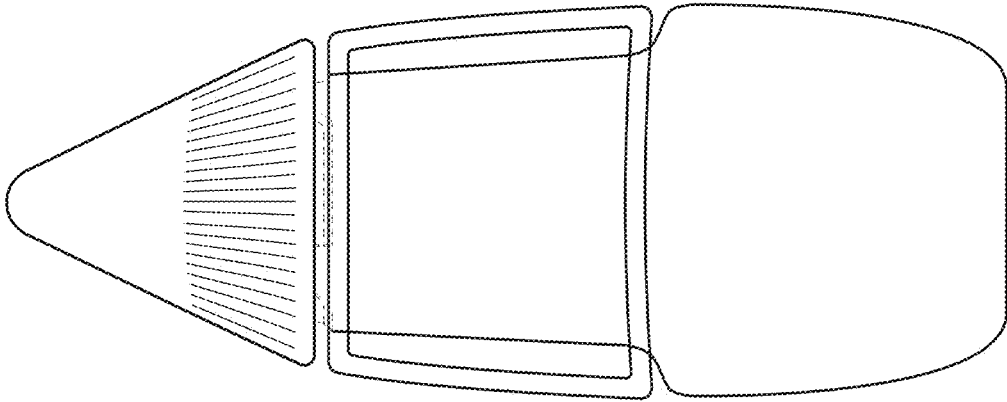


FIG. 1

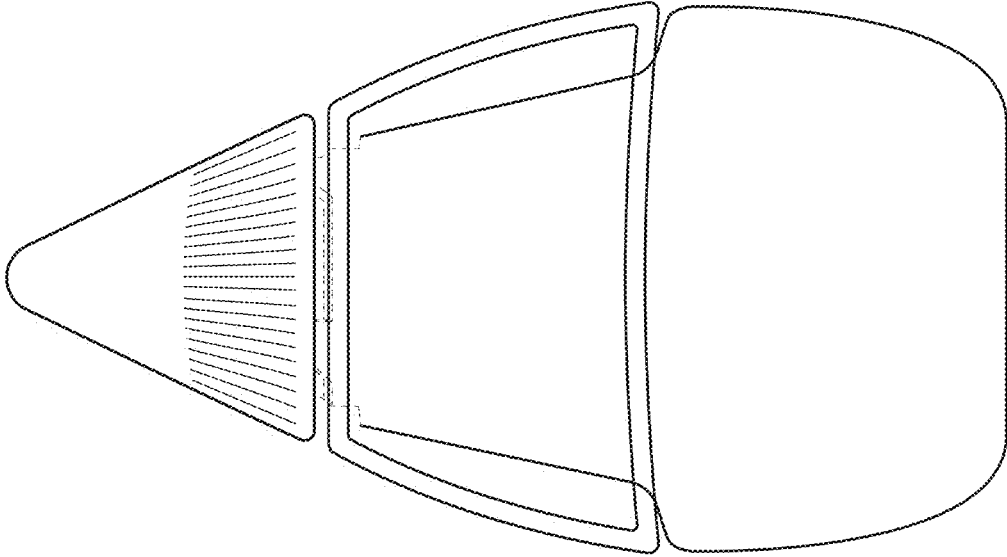


FIG. 2

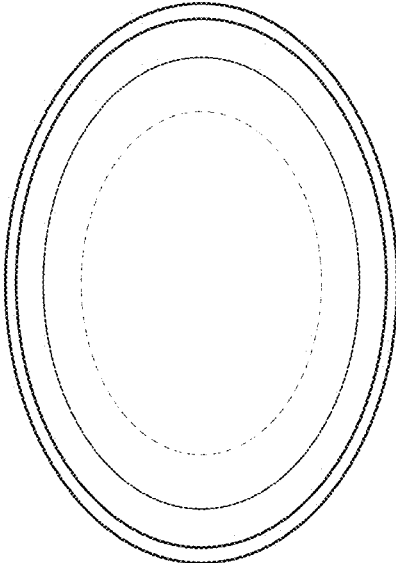


FIG. 4

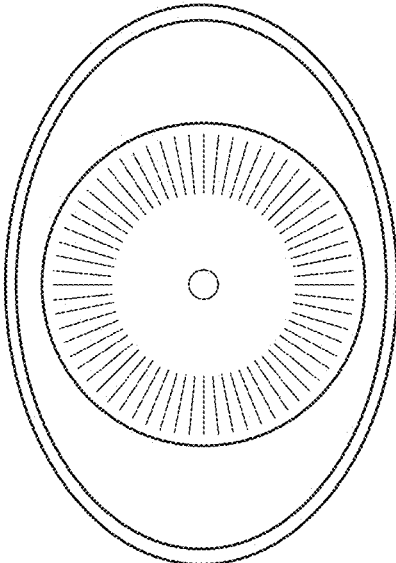


FIG. 3

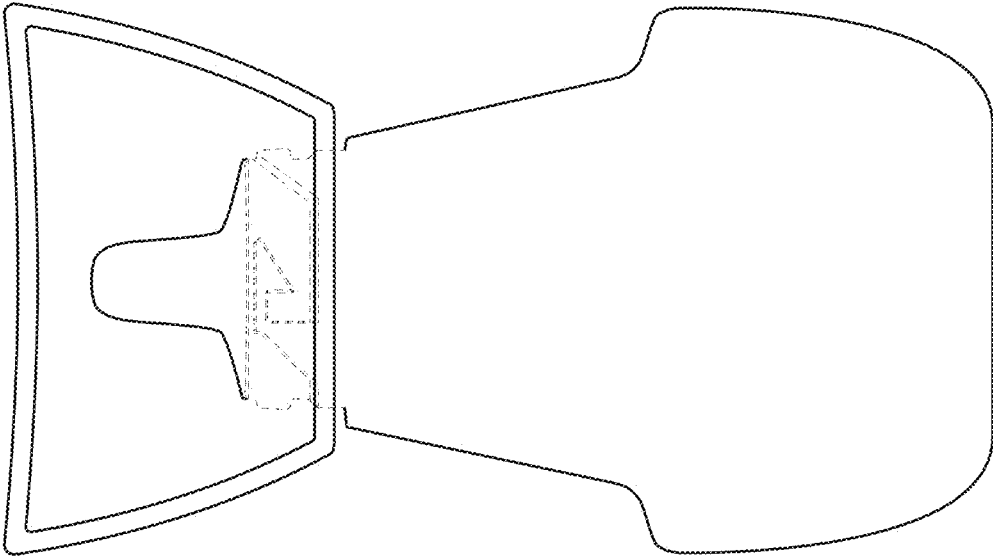


FIG. 5

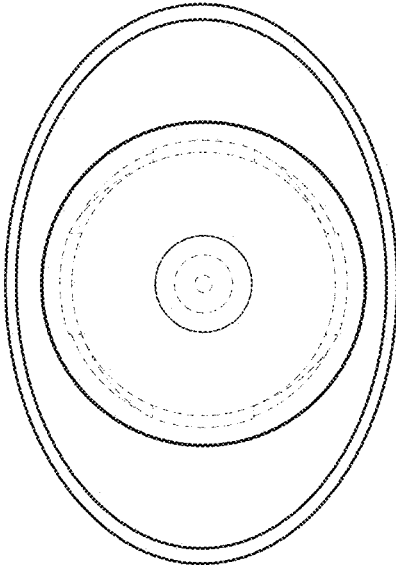


FIG. 6