

(19) World Intellectual Property Organization
International Bureau



(43) International Publication Date
27 April 2006 (27.04.2006)

PCT

(10) International Publication Number
WO 2006/044184 A3

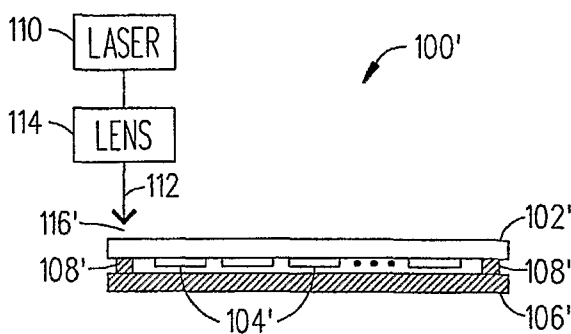
- (51) International Patent Classification:
H01J 1/62 (2006.01) B32B 1/04 (2006.01)
H01L 33/00 (2006.01)
- (21) International Application Number:
PCT/US2005/035602
- (22) International Filing Date: 4 October 2005 (04.10.2005)
- (25) Filing Language: English
- (26) Publication Language: English
- (30) Priority Data:
10/965,453 13 October 2004 (13.10.2004) US
- (71) Applicant (for all designated States except US): **CORNING INCORPORATED** [US/US]; 1 Riverfront Plaza, Corning, New York 14831 (US).
- (72) Inventors; and
- (75) Inventors/Applicants (for US only): **REDDY, Kamjula P** [US/US]; 11810 Theresa Drive, Corning, New York 14830 (US). **SCHROEDER, Joseph F** [US/US]; 8769 Stevens Road, Lindley, New York 14858 (US). **STRELTSOV, Alexander** [RU/US]; 683 W. Raven Drive, Chandler, AZ 85248 (US). **MORENA, Robert M** [US/US]; 438 Brown-town Road, Caton, New York 14830 (US). **POWLEY, Mark L** [US/US]; 5541 Route 125, Campbell, New York 14821 (US).
- (74) Agent: **ABLE, Kevin M**; Corning Incorporated, SP-TI-3-1, Patent Department, Corning, New York 14831 (US).

- (81) Designated States (unless otherwise indicated, for every kind of national protection available): AE, AG, AL, AM, AT, AU, AZ, BA, BB, BG, BR, BW, BY, BZ, CA, CH, CN, CO, CR, CU, CZ, DE, DK, DM, DZ, EC, EE, EG, ES, FI, GB, GD, GE, GH, GM, HR, HU, ID, IL, IN, IS, JP, KE, KG, KM, KP, KR, KZ, LC, LK, LR, LS, LT, LU, LV, LY, MA, MD, MG, MK, MN, MW, MX, MZ, NA, NG, NI, NO, NZ, OM, PG, PH, PL, PT, RO, RU, SC, SD, SE, SG, SK, SL, SM, SY, TJ, TM, TN, TR, TT, TZ, UA, UG, US, UZ, VC, VN, YU, ZA, ZM, ZW.
- (84) Designated States (unless otherwise indicated, for every kind of regional protection available): ARIPO (BW, GH, GM, KE, LS, MW, MZ, NA, SD, SL, SZ, TZ, UG, ZM, ZW), Eurasian (AM, AZ, BY, KG, KZ, MD, RU, TJ, TM), European (AT, BE, BG, CH, CY, CZ, DE, DK, EE, ES, FI, FR, GB, GR, HU, IE, IS, IT, LT, LU, LV, MC, NL, PL, PT, RO, SE, SI, SK, TR), OAPI (BF, BJ, CF, CG, CI, CM, GA, GN, GQ, GW, ML, MR, NE, SN, TD, TG).

- Published:**
 - with international search report
 - before the expiration of the time limit for amending the claims and to be republished in the event of receipt of amendments
- (88) Date of publication of the international search report:
27 September 2007

For two-letter codes and other abbreviations, refer to the "Guidance Notes on Codes and Abbreviations" appearing at the beginning of each regular issue of the PCT Gazette.

(54) Title: HERMETICALLY SEALED GLASS PACKAGE AND METHOD OF FABRICATION



the laser in the second substrate plate.

(57) Abstract: A hermetically sealed glass package and method for manufacturing the hermetically sealed glass package particularly using an OLED is described herein. In one embodiment, the hermetically sealed glass package is manufactured by providing a first substrate plate and a second substrate plate. The second substrate contains at least one transition or rare earth metal. A sensitive thin-film device that needs protection is deposited onto the first substrate plate. A laser is then used to heat the doped second substrate plate such that a portion of it swells and forms a hermetic seal that connects the first substrate plate to the second substrate plate and also protects the thin film device. The second substrate plate is doped with at least one transition metal such that when the laser interacts with it there is an absorption of light from

WO 2006/044184 A3

INTERNATIONAL SEARCH REPORT

International application No.

PCT/US 05/35602

A. CLASSIFICATION OF SUBJECT MATTER IPC(8) - B32B 1/04, 37/00, H01L 33/00, H01J 1/62 (2007.01) USPC - 428/76, 257/100, 156/272.2, 313/512 According to International Patent Classification (IPC) or to both national classification and IPC		
B. FIELDS SEARCHED		
Minimum documentation searched (classification system followed by classification symbols) USPC :428/76; 257/100; 156/272.2; 313/512		
Documentation searched other than minimum documentation to the extent that such documents are included in the fields searched USPC: 257/100,678,704; 156/272.2; 428/76; 228/124.6; 438/25-27,51,64,106; 313/504,506,512 (text search - see terms below)		
Electronic data base consulted during the international search (name of data base and, where practicable, search terms used) WEST (PGPB,USPT,USOC,EPAB,JPAB); DialogPro (General Research); Google Scholar Search Terms: glass, package, silica, alumina, boric oxide, cobalt oxide, cerium oxide, sodium oxide, led, diode, dopant, gap, laser, mole, % or percent		
C. DOCUMENTS CONSIDERED TO BE RELEVANT		
Category*	Citation of document, with indication, where appropriate, of the relevant passages	Relevant to claim No.
X ---- Y	US 2003/0203205 A1 (BI et al.) 30 October 2003 (30.10.2003), para [0003], [0150], [0171], [0174], [0182], [0197] and [0499].	39, 40, 42, 44, 47-50, 52, 54, 57
Y	US 5,304,518 A (SUNAHARA et al.) 19 April 1994 (19.04.1994), fig. 1, col 2 ln 32-42, col 2 ln 59- col 3 ln 11, col 3 ln 40 - col 4 ln 25, col 5 ln 57-68, col 6 ln 35-45, col 10 ln 8-53 and Table 1.	1-19
Y	WO 99/32282 A1 (FAUST et al.) 01 July 1999 (01.07.1999), abstract.	1-38, 41, 43, 45, 46, 51, 53, 55, 56
Y	WO 97/30947 A1 (ARAUJO) 28 August 1997 (28.08.1997), abstract.	3, 5, 7, 13, 15, 17, 22, 24, 26, 32, 34, 36, 41, 43, 45, 51, 53, 55
Y	WO 97/30947 A1 (ARAUJO) 28 August 1997 (28.08.1997), abstract.	8, 18, 27, 37, 46, 56
Y	US 2003/0107315 A1 (CHEN et al.) 12 June 2003 (12.06.2003), abstract, figure 2, para [0006], [0023], [0023], [0024].	20-38
A	US 2004/0159849 A1 (NEGLEY) 19 August 2004 (19.08.2004), para [0017], [0070] and [0071].	20-38
A,P	US 2003/0193289 A1 (SHIRAKAWA et al.) 16 October 2003 (16.10.2003), entire document.	1-57
A,P	US 2005/0116245 A1 (AITKEN et al.) 02 June 2005 (02.06.2005), entire document.	1-57
A,P	US 2004/0206953 A1 (MORENA et al.) 21 October 2004 (21.10.2004), entire document.	1-57
<input type="checkbox"/> Further documents are listed in the continuation of Box C. <input type="checkbox"/>		
* Special categories of cited documents:	"T" later document published after the international filing date or priority date and not in conflict with the application but cited to understand the principle or theory underlying the invention	
"A" document defining the general state of the art which is not considered to be of particular relevance	"X" document of particular relevance; the claimed invention cannot be considered novel or cannot be considered to involve an inventive step when the document is taken alone	
"E" earlier application or patent but published on or after the international filing date	"Y" document of particular relevance; the claimed invention cannot be considered to involve an inventive step when the document is combined with one or more other such documents, such combination being obvious to a person skilled in the art	
"L" document which may throw doubts on priority claim(s) or which is cited to establish the publication date of another citation or other special reason (as specified)	"&" document member of the same patent family	
"O" document referring to an oral disclosure, use, exhibition or other means		
"P" document published prior to the international filing date but later than the priority date claimed		
Date of the actual completion of the international search 07 March 2007 (07.03.2007)	Date of mailing of the international search report 16 JUL 2007	
Name and mailing address of the ISA/US Mail Stop PCT, Attn: ISA/US, Commissioner for Patents P.O. Box 1450, Alexandria, Virginia 22313-1450 Facsimile No. 571-273-3201	Authorized officer: Lee W. Young PCT Helpdesk: 571-272-4300 PCT OSP: 571-272-7774	