



US0D1063243S

(12) **United States Design Patent**  
**Ren**

(10) **Patent No.:** **US D1,063,243 S**

(45) **Date of Patent:** **\*\* Feb. 18, 2025**

(54) **PET WATER FOUNTAIN**

(71) Applicant: **SHENZHEN CHONGXIN TECHNOLOGY CO., LTD**, Shenzhen (CN)

(72) Inventor: **Shuling Ren**, Shenzhen (CN)

(73) Assignee: **SHENZHEN CHONGXIN TECHNOLOGY CO., LTD**, Shenzhen (CN)

(\*\*) Term: **15 Years**

(21) Appl. No.: **29/850,358**

(22) Filed: **Aug. 18, 2022**

(51) **LOC (15) Cl.** ..... **30-03**

(52) **U.S. Cl.**  
USPC ..... **D30/132; D30/121; D30/122**

(58) **Field of Classification Search**  
USPC ..... D30/121, 122, 132  
CPC ..... A01K 7/00; A01K 39/02; A01K 7/005; A01K 7/025; A01K 7/04  
See application file for complete search history.

(56) **References Cited**

**U.S. PATENT DOCUMENTS**

D961,171	S	*	8/2022	Guan	.....	D30/132
D965,921	S	*	10/2022	Gong	.....	D30/132
D987,210	S	*	5/2023	Wu	.....	D30/132
D992,221	S	*	7/2023	Gong	.....	D30/132
D1,007,773	S	*	12/2023	Han	.....	D30/132
D1,020,117	S	*	3/2024	Han	.....	D30/132
D1,029,413	S	*	5/2024	Han	.....	D30/132
D1,049,508	S	*	10/2024	Han	.....	D30/132
D1,050,624	S	*	11/2024	Wei	.....	D30/132
2024/0008449	A1	*	1/2024	Geng	.....	A01K 7/02

**OTHER PUBLICATIONS**

“Kar Private Pets Cat Water Fountain” available Mar. 7, 2023, [online], [site visited Dec. 11, 2024]. Retrieved from Internet, URL: <https://www.amazon.co.uk/KAR-PRIVATE-PETS-Water-Fountain/dp/B0BXQLJYSV> (Year: 2023).\*

“Geeni PetConnect 2.6L Smart Pet Water Fountain” available May 14, 2024, [online], [site visited Dec. 11, 2024]. Retrieved from Internet, URL: <https://www.amazon.com/Geeni-PetConnect-Automatic-Controlled-Compatible/dp/B0D429TCZF> (Year: 2024).\*

“Petlibro Cat Water Fountain” available Jul. 22, 2021, [online], [site visited Dec. 11, 2024]. Retrieved from Internet, URL: [https://www.amazon.com/PETLIBRO-Fountain-BPA-Free-Dispenser-Large-Size/dp/B09B2BN4RB/ref=sr\\_1\\_122](https://www.amazon.com/PETLIBRO-Fountain-BPA-Free-Dispenser-Large-Size/dp/B09B2BN4RB/ref=sr_1_122) (Year: 2021).\*

“Wopet W300 Pet Water Fountain” available Jul. 31, 2022, [online], [site visited Dec. 11, 2024]. Retrieved from Internet, URL: [https://www.amazon.com/WOPET-Fountain-Automatic-Dispenser-Replacement/dp/B0B4NGKYS7/ref=sr\\_1\\_139](https://www.amazon.com/WOPET-Fountain-Automatic-Dispenser-Replacement/dp/B0B4NGKYS7/ref=sr_1_139) (Year: 2022).\*

\* cited by examiner

*Primary Examiner* — Katrina N Gonzalez

(57) **CLAIM**

The ornamental design for a pet water fountain as shown and described.

**DESCRIPTION**

FIG. 1 is a perspective view of a pet water fountain showing my new design;

FIG. 2 is another perspective view thereof;

FIG. 3 is a front elevational view thereof;

FIG. 4 is a rear elevational view thereof;

FIG. 5 is a left side elevational view thereof;

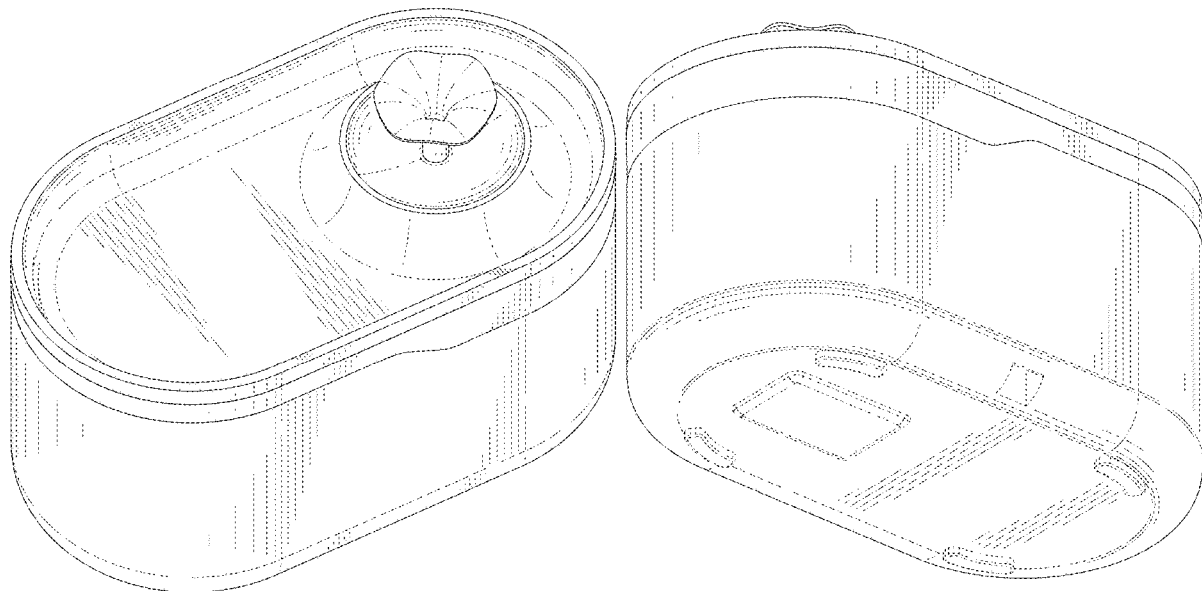
FIG. 6 is a right side elevational view thereof;

FIG. 7 is a top plan view thereof; and,

FIG. 8 is a bottom plan view thereof.

The broken lines in the drawings depict portions of the pet water fountain that form no part of the claimed design.

**1 Claim, 8 Drawing Sheets**



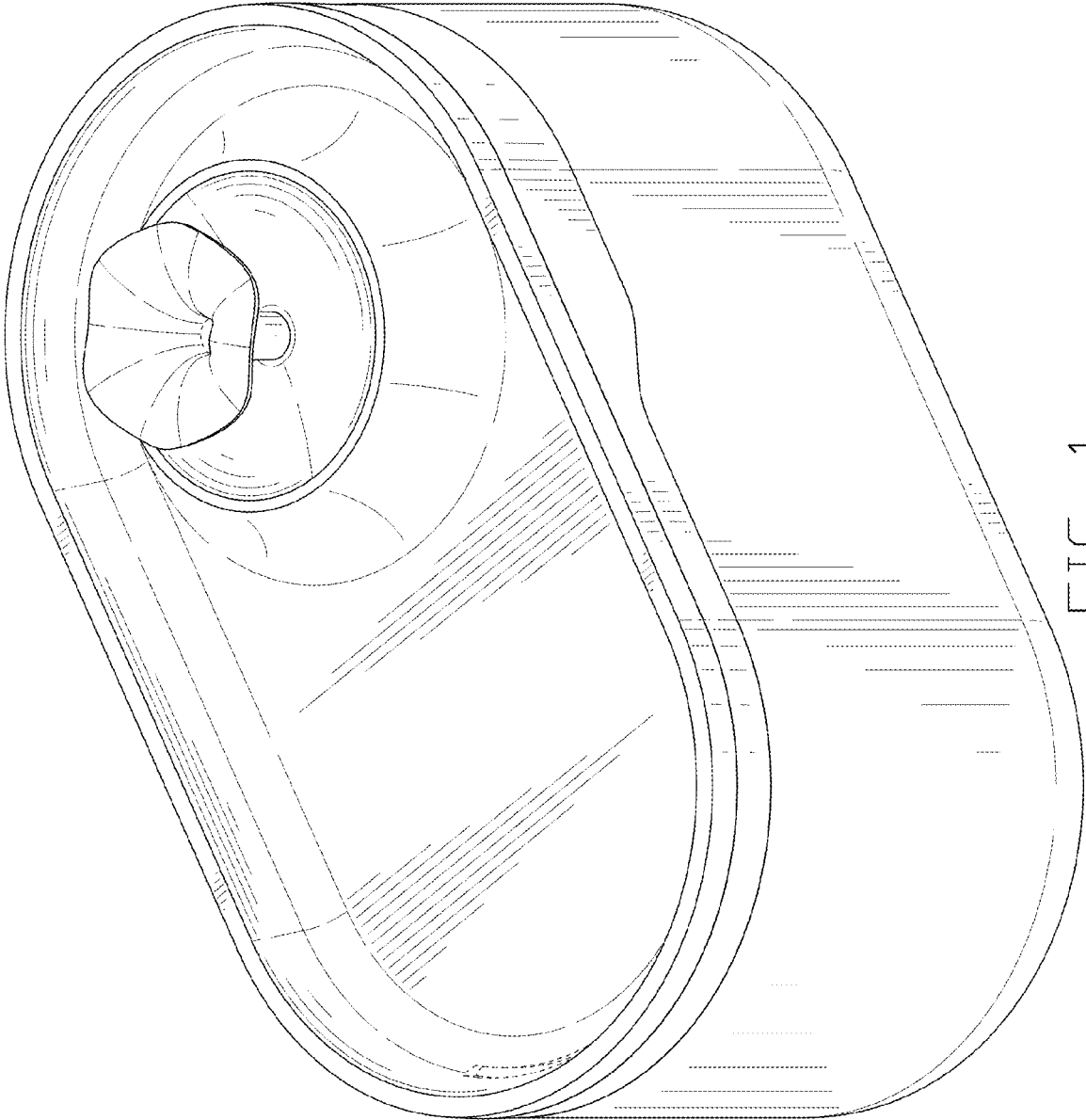


FIG. 1

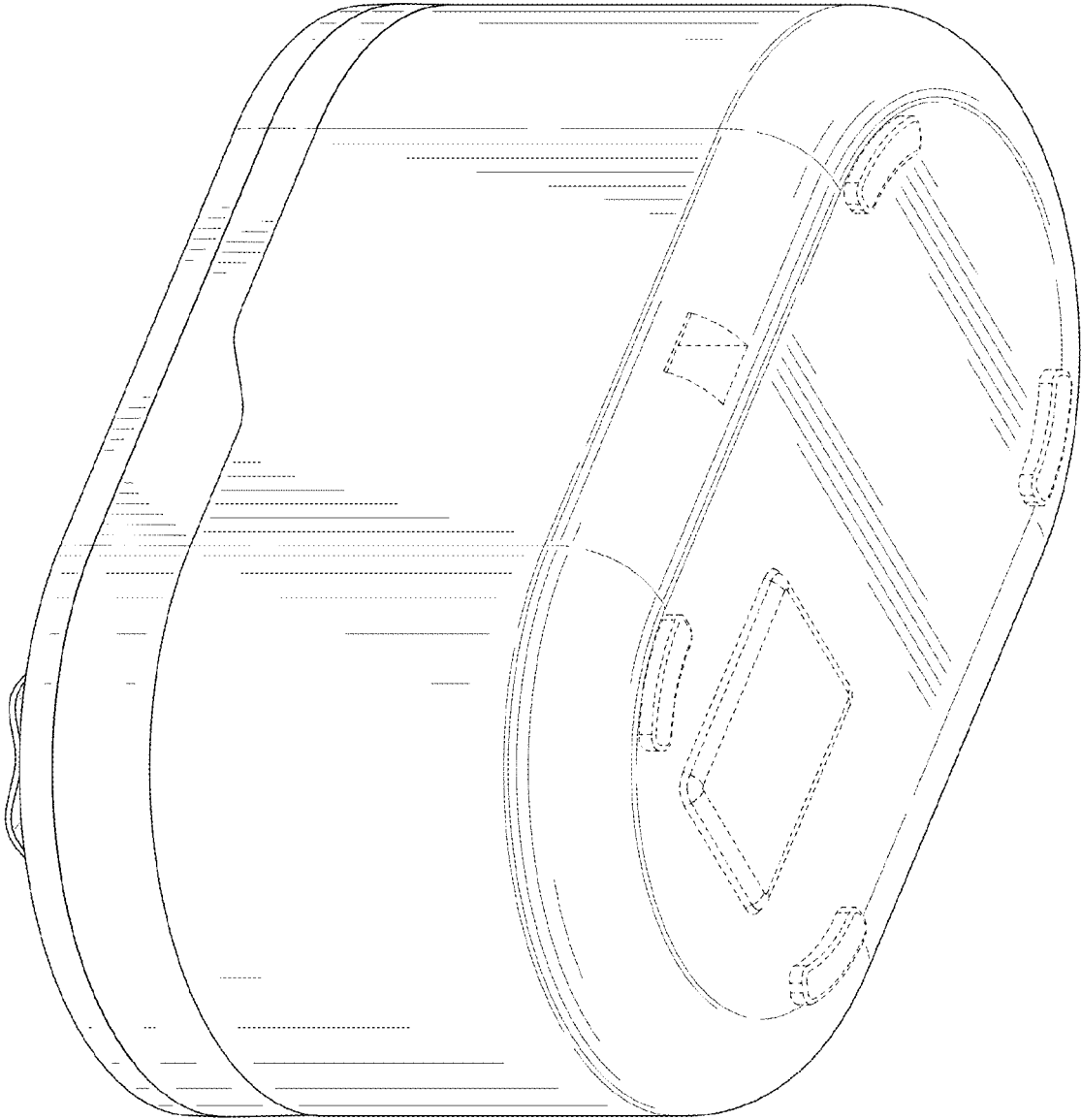


FIG. 2

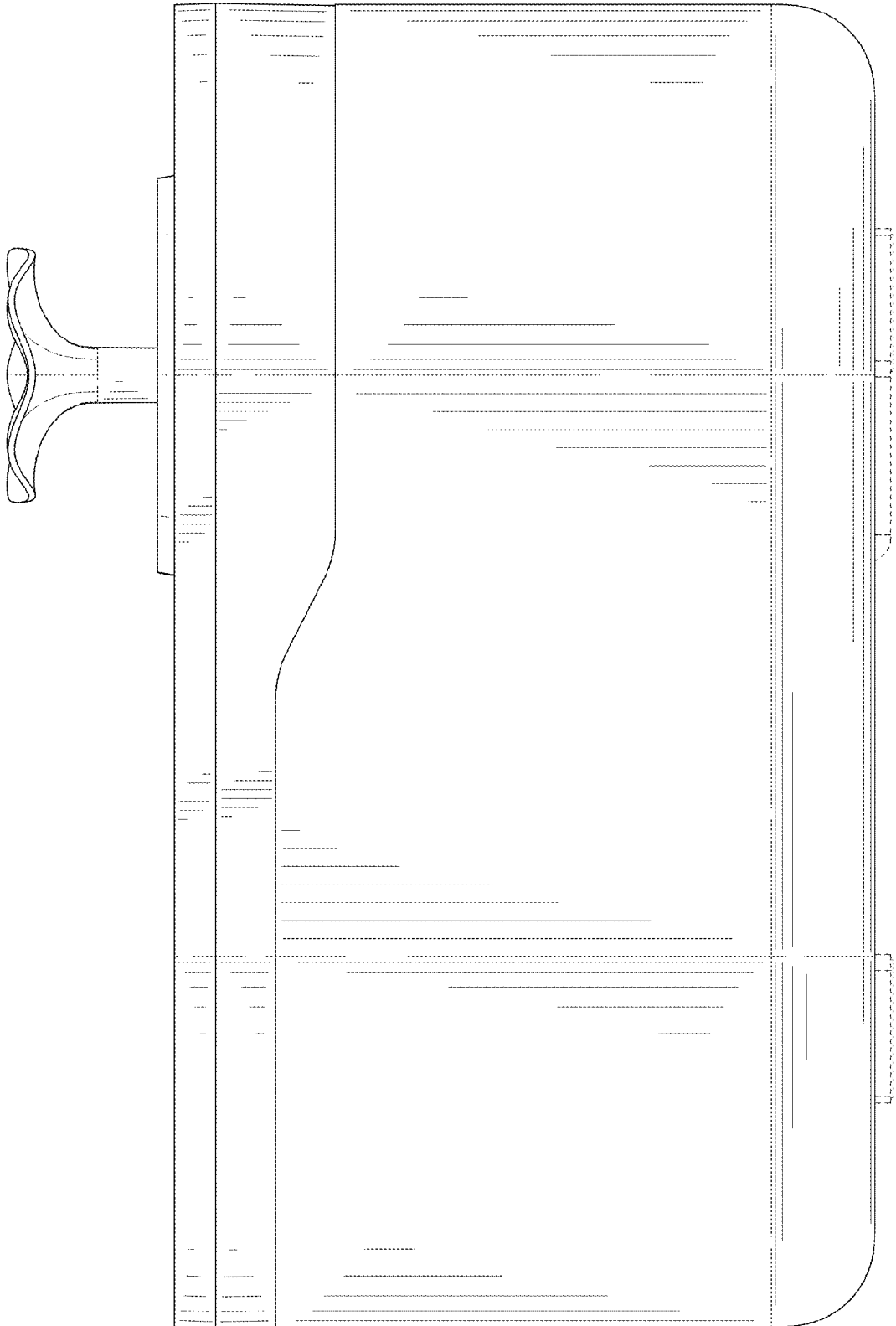


FIG. 3

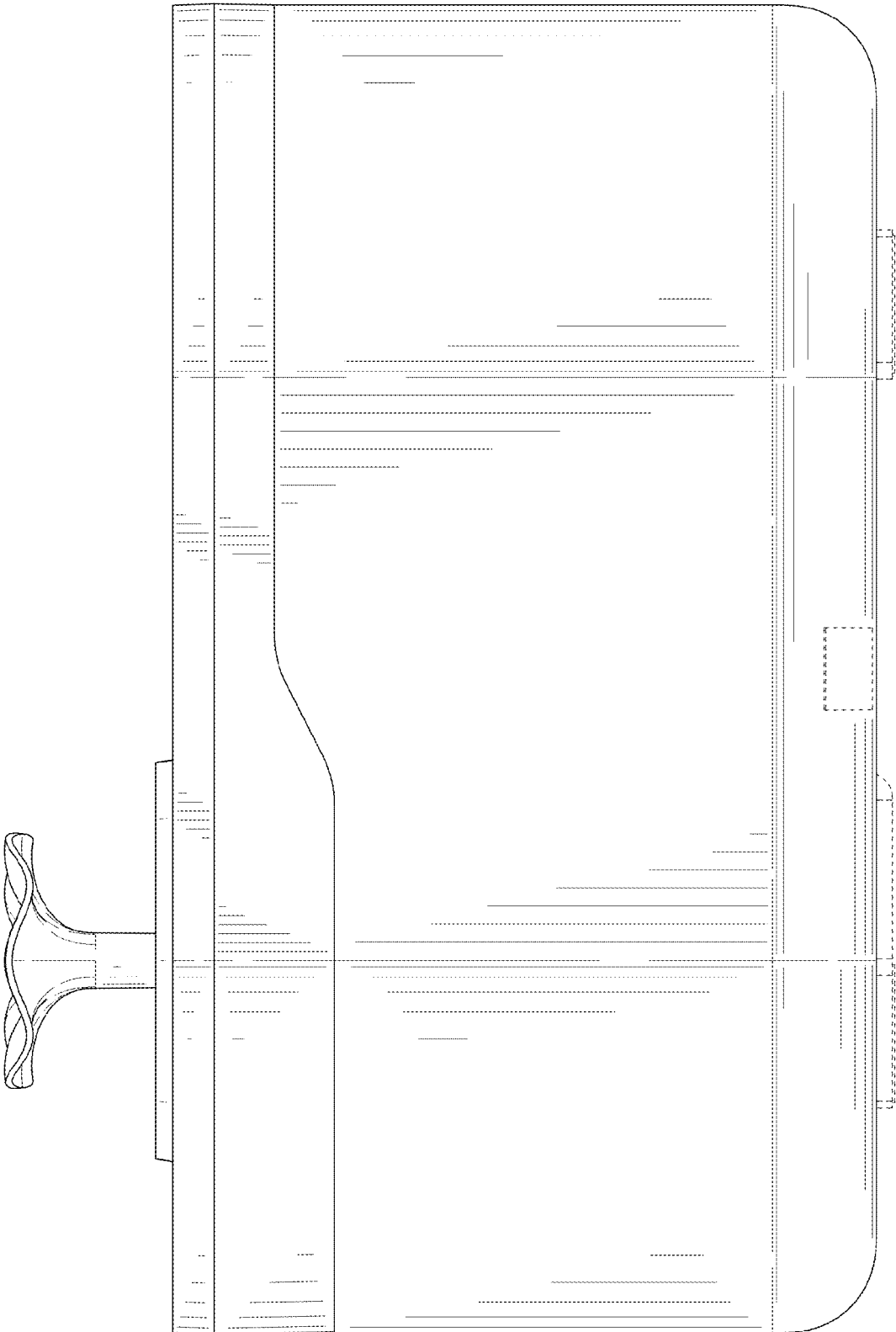


FIG. 4

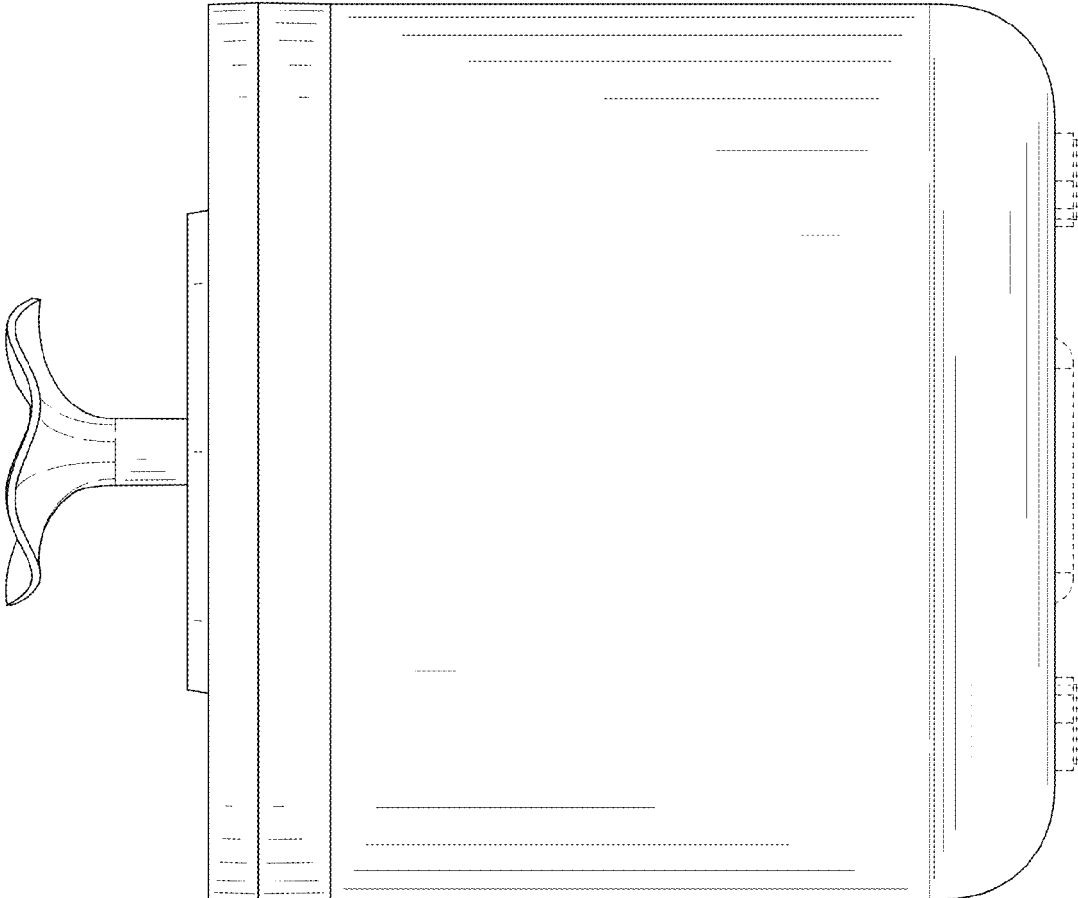


FIG. 5

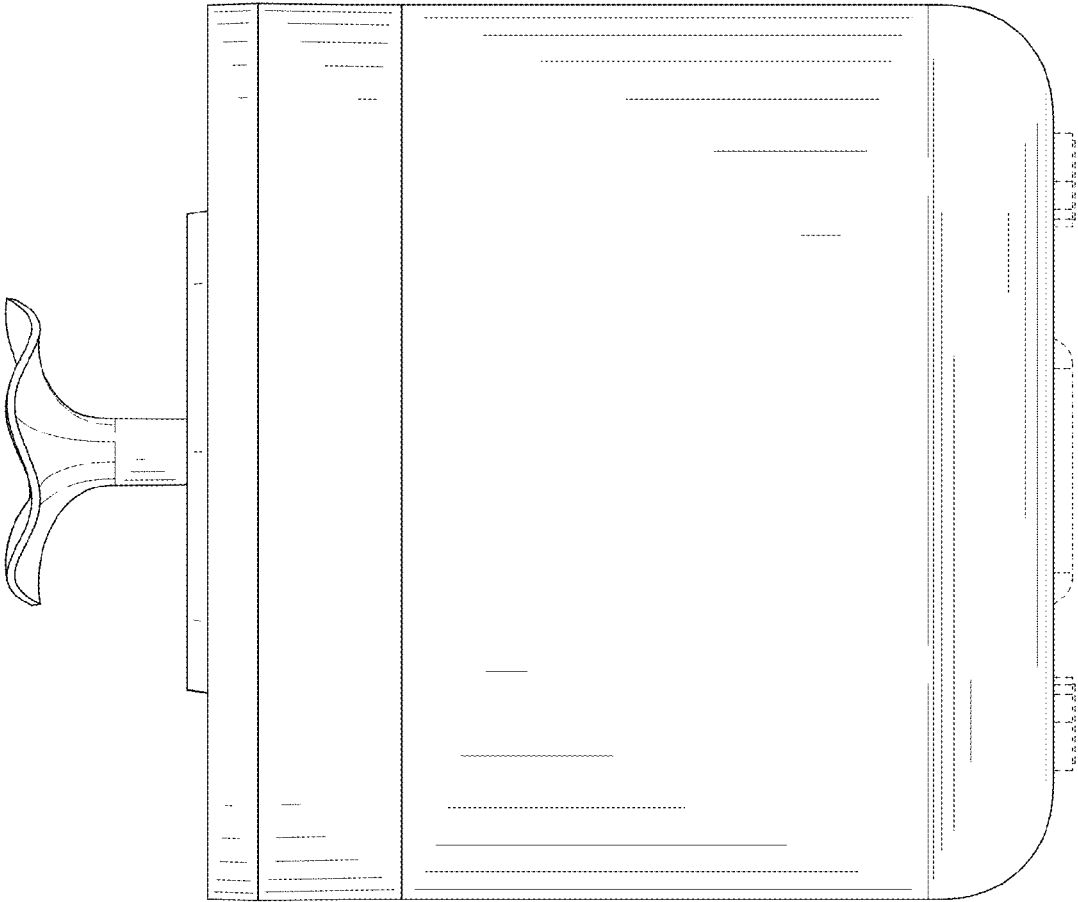


FIG. 6

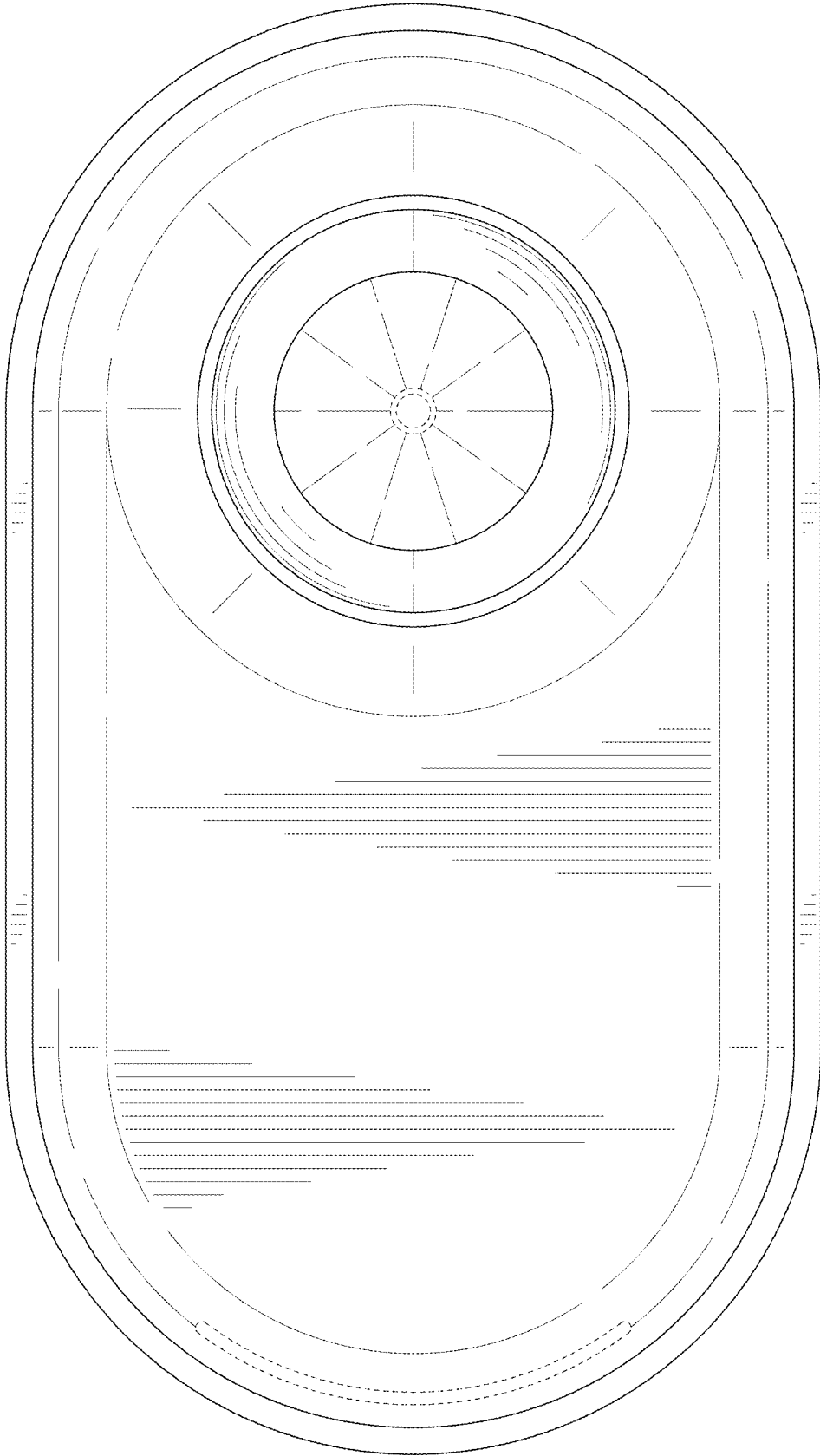


FIG. 7

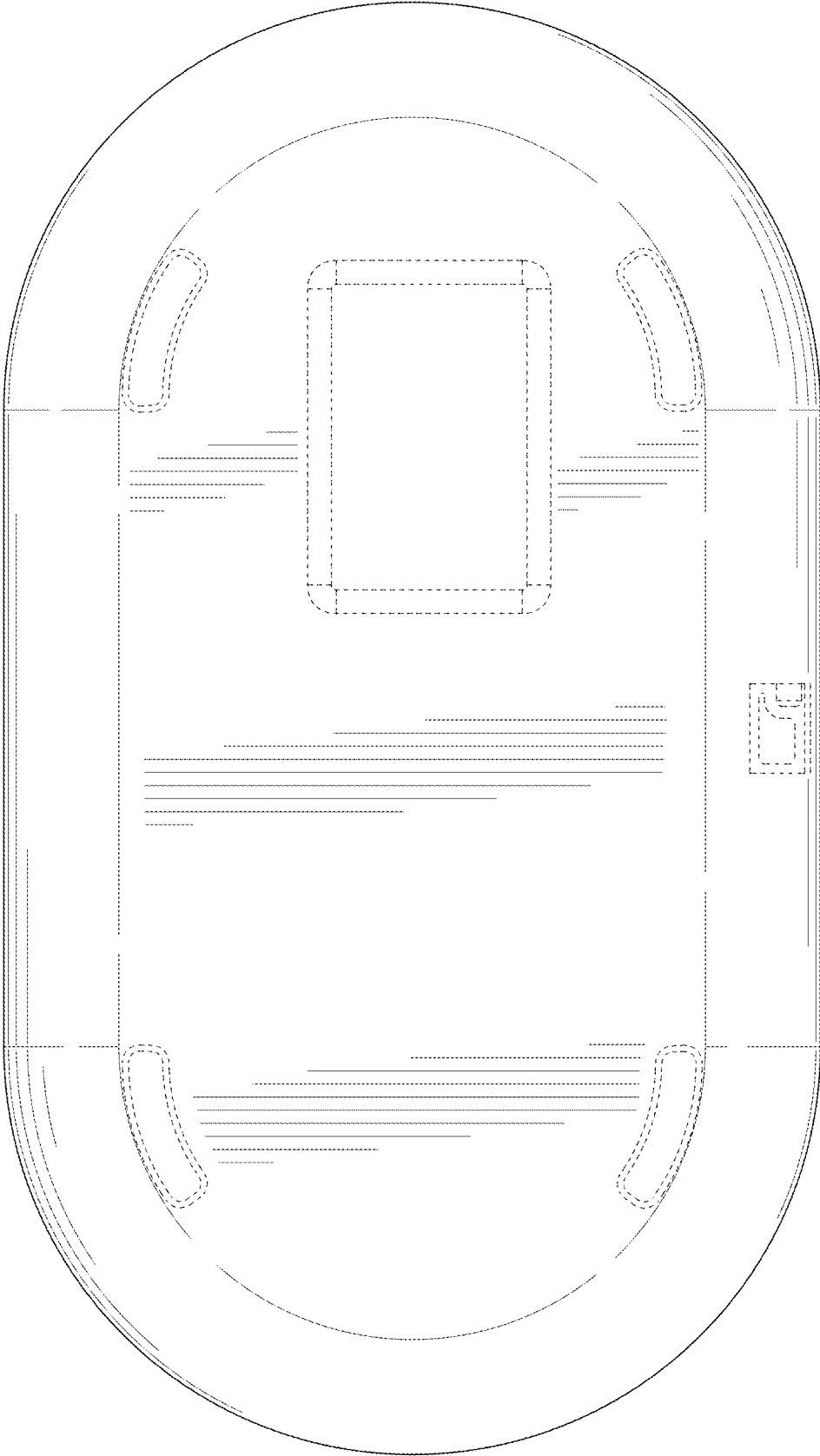


FIG. 8