



US0D1042016S

(12) **United States Design Patent**
Xu

(10) **Patent No.:** **US D1,042,016 S**

(45) **Date of Patent:** **** Sep. 17, 2024**

(54) **COVER FOR STORAGE CONTAINER**

(71) Applicant: **YANGZHOU NEW COORDINATE HOUSEHOLD PRODUCTS CO., LTD**, Yangzhou (CN)

(72) Inventor: **Quan Xu**, Yangzhou (CN)

(73) Assignee: **YANGZHOU NEW COORDINATE HOUSEHOLD PRODUCTS CO., LTD**, Yangzhou (CN)

(**) Term: **15 Years**

(21) Appl. No.: **29/908,395**

(22) Filed: **Jan. 12, 2024**

(30) **Foreign Application Priority Data**

Sep. 19, 2023 (CN) 202330609878.5

(51) **LOC (14) Cl.** **07-02**

(52) **U.S. Cl.**
USPC **D7/392.1; D3/318**

(58) **Field of Classification Search**
USPC D3/20, 200, 201, 205, 207, 247, 259,
D3/260, 272-276, 281-286, 289, 291,
(Continued)

(56) **References Cited**

U.S. PATENT DOCUMENTS

1,960,119 A * 5/1934 Mirmann A45D 29/20
132/75
D163,976 S * 7/1951 Stevens D3/904
(Continued)

FOREIGN PATENT DOCUMENTS

CN 306583949 * 6/2021

OTHER PUBLICATIONS

Exhibitor Yangzhou New Coordinate Household Articles Co., Ltd., available at lifestyle-expo.jp, date not available [online], site visited

Apr. 26, 2024, available from the internet URL <https://www.lifestyle-expo.jp/spring/en-gb/search/2024/products/product-details.exh-549ac8b1-3856-4503-88e9-591abc740899.%E7%9C%9F%E7%A9%BA%E3%82%BF%E3%83%B3%E3%82%AF%E3%81%A7%E3%81%99.pro-f1708f4f-9ad1-4237-9a0e-430b900e2fe3.html#/> (Year: 2024).*

(Continued)

Primary Examiner — April Rivas

Assistant Examiner — Jillian Mazzola

(74) *Attorney, Agent, or Firm* — Daniel M. Cohn;
Howard M. Cohn

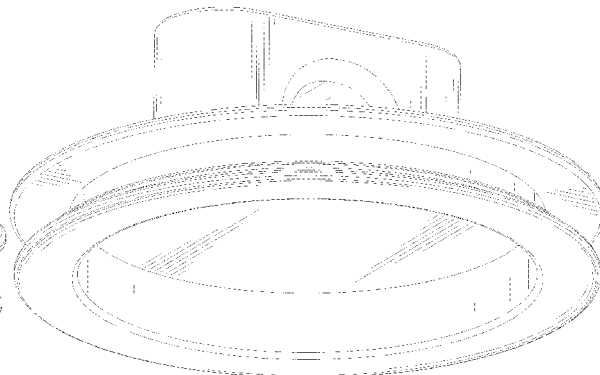
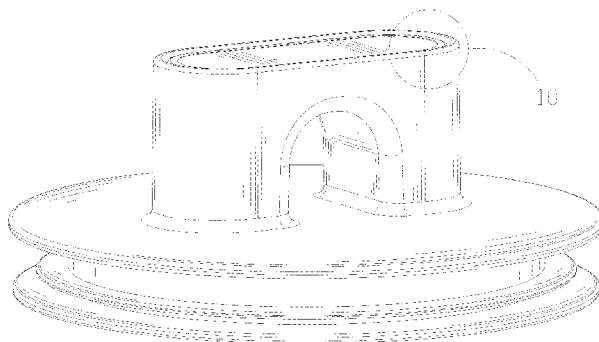
(57) **CLAIM**

The ornamental design for a cover for storage container, as shown and described.

DESCRIPTION

FIG. 1 is a perspective view of a cover for storage container showing my new design;
FIG. 2 is another perspective view thereof;
FIG. 3 is a front elevational view thereof;
FIG. 4 is a rear elevational view thereof;
FIG. 5 is a left side elevational view thereof;
FIG. 6 is a right side elevational view thereof;
FIG. 7 is a top plan view thereof;
FIG. 8 is a bottom plan view thereof;
FIG. 9 is a perspective view of the cover for storage container where the cover for storage container is in a configuration of use.
FIG. 10 is an enlarged view of portion 10 shown in FIG. 1; and,
FIG. 11 is an enlarged view of portion 11 shown in FIG. 3. The dash-dash broken lines in the drawings depict portions of the cover for storage container and form no part of the claimed design. The dot-dot-dash broken lines in FIG. 9 are directed to environment and form no part of the claimed design. The dot-dash broken lines represent boundaries of the enlarged portions and form no part of the claimed design.

1 Claim, 11 Drawing Sheets



(58) **Field of Classification Search**

USPC D3/294–298, 301, 302, 304, 305,
D3/307–315, 318, 319, 901, 903, 905;
D6/657, 659, 662, 662.1, 672; D7/601,
D7/602, 609, 614, 701, 703, 387, 392,
D7/393, 392.1; D8/300, 303; D9/700,
D9/721, 756–760, 904, 414, 420, 434,
D9/435, 499; D12/423–426; D13/152,
D13/184; D14/511, 134, 203.4; D18/3.2;
D24/224–227, 229; D27/172, 186;
D99/28
CPC A45C 5/005; A45C 5/02; A45C 11/00;
A45C 11/005; A45C 11/008; A45C 11/02;
A45C 11/04; A45C 11/043; A45C 11/046;
A45C 11/10; A45C 11/12; A45C 11/14;
A45C 11/16; A45C 11/18; A45C 11/20;
A45C 11/22; A45C 11/24; A45C 11/34;
A45C 11/36; A45C 11/38; A45C
2011/001; A45C 2011/002; A45C
2011/003; A45C 2011/006; A45C
2011/007; A45D 29/20; A45D 44/18;
A45F 3/48; A61J 1/00; A61J 1/03; A61J
1/035; A61J 1/10; A61J 1/12; A61J 1/14

See application file for complete search history.

(56) **References Cited**

U.S. PATENT DOCUMENTS

2,756,793 A * 7/1956 Tupper B65D 43/022
220/281
D280,484 S * 9/1985 Conti D7/391
D419,370 S * 1/2000 Busick D7/398
D532,651 S * 11/2006 Giugiaro D7/394
D605,509 S * 12/2009 Leonardis D9/454
D715,126 S * 10/2014 Kim D7/393
D722,476 S * 2/2015 Kilduff et al. D7/630
D742,642 S 11/2015 Aronoff et al.
D751,817 S * 3/2016 Stuart D3/302
D766,697 S * 9/2016 Vergin D8/311
D848,057 S * 5/2019 Lomeli D27/167
D877,558 S * 3/2020 Dorfmüller D7/392.1
D903,816 S 12/2020 Vinther
D921,423 S * 6/2021 Horgan D7/392.1
D931,063 S * 9/2021 Miksovsky D7/629
D985,327 S * 5/2023 Dai D7/368
D1,008,734 S * 12/2023 Smith D7/409
2021/0337861 A1 * 11/2021 Han A24F 1/26

OTHER PUBLICATIONS

Best Premium Airtight Storage Container, available at amazon.com, earliest date available Mar. 12, 2015 [online], site visited Apr. 26, 2024, available from the internet URL: <https://www.amazon.com/PREMIUM-Airtight-Storage-Container-Coffee/dp/B00UMXUG5O> (Year: 2015).*

* cited by examiner

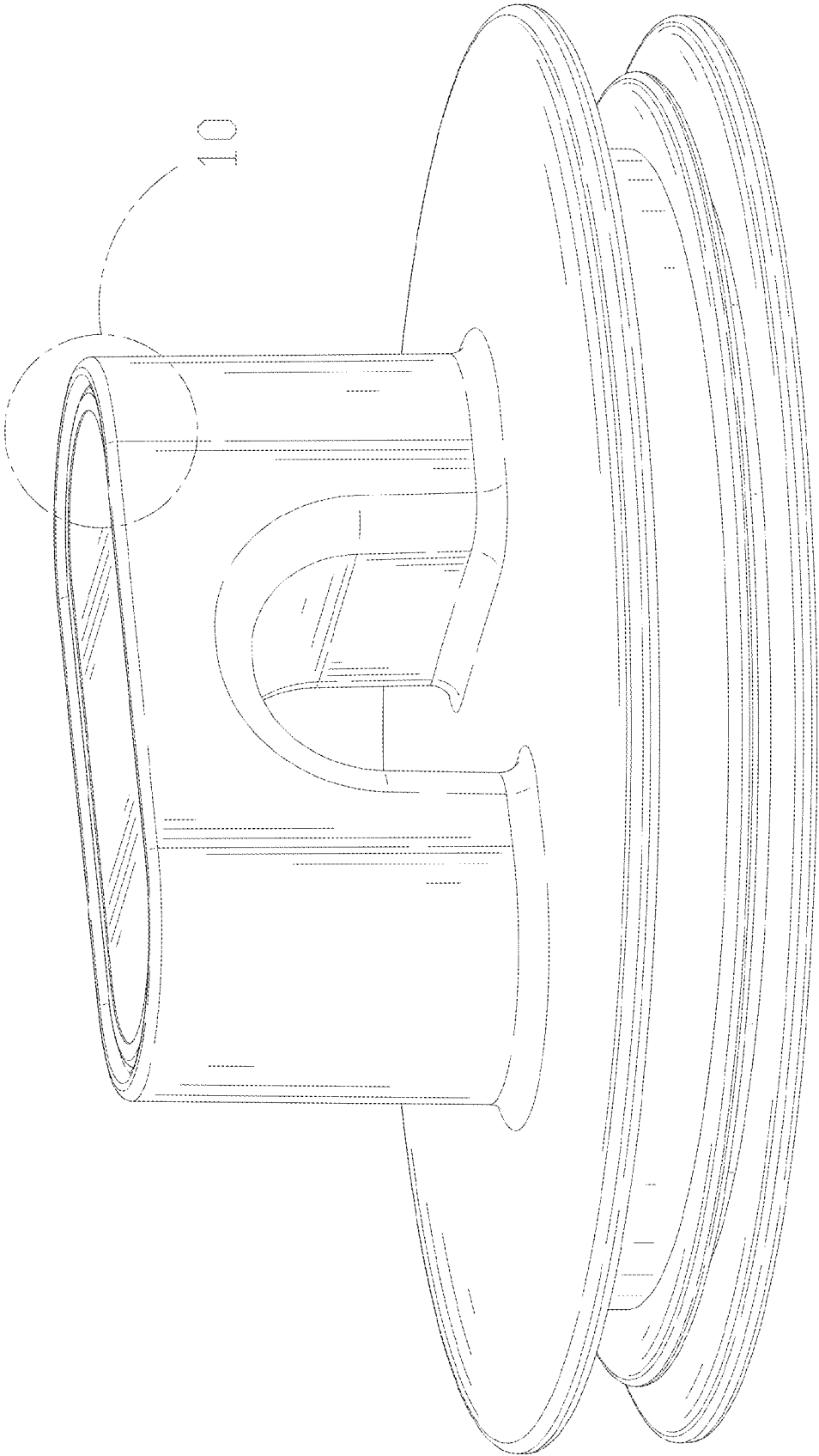


FIG. 1

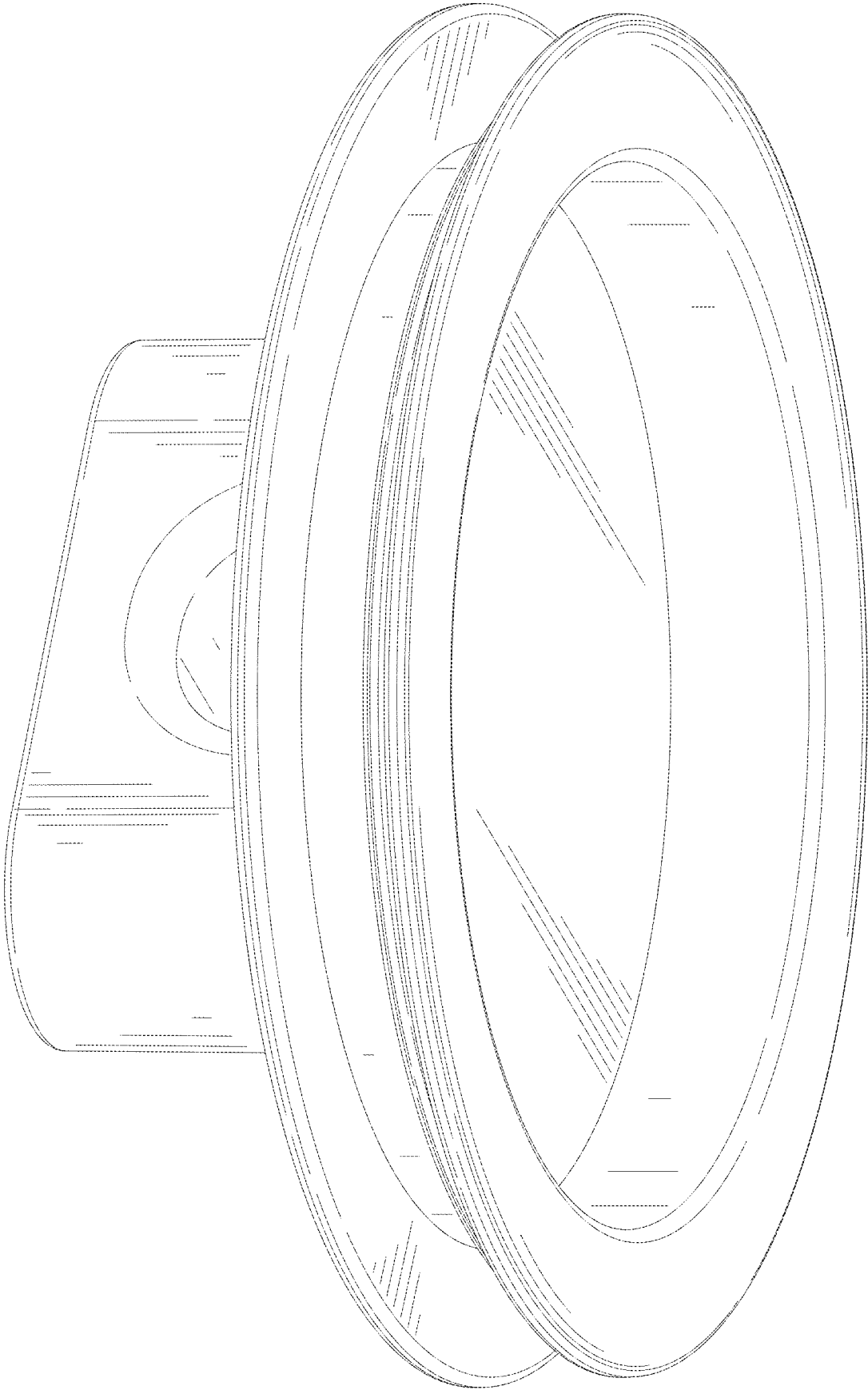


FIG. 2

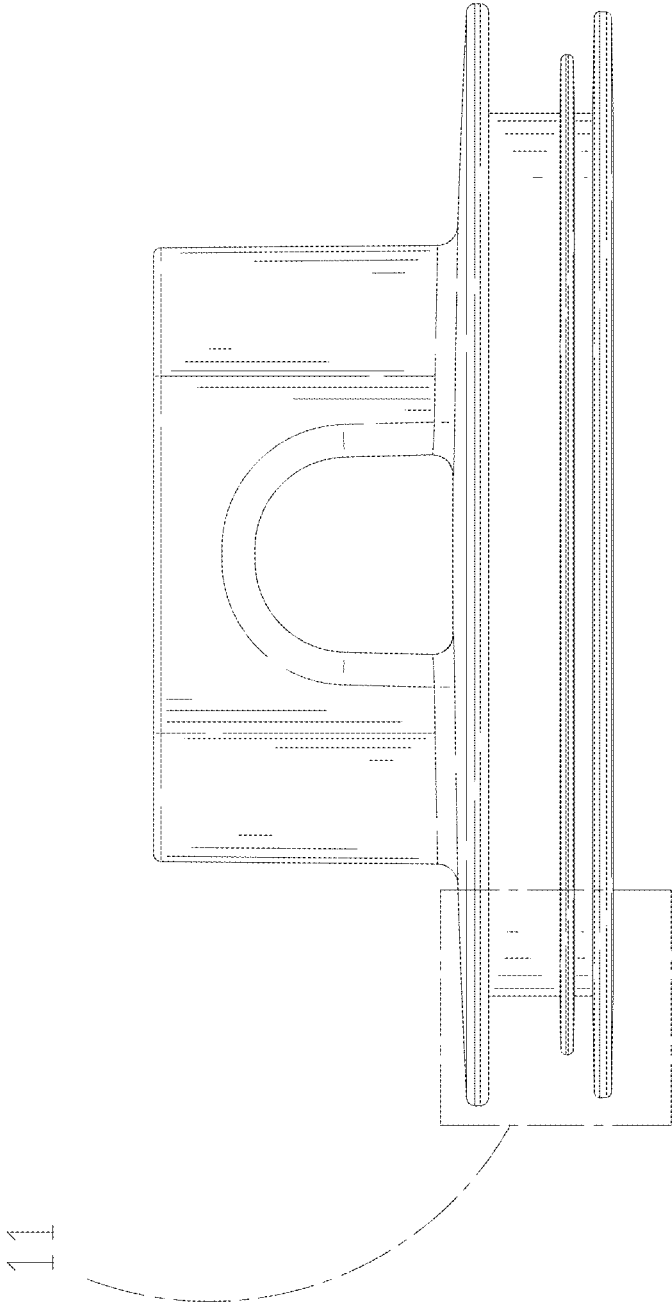


FIG. 3

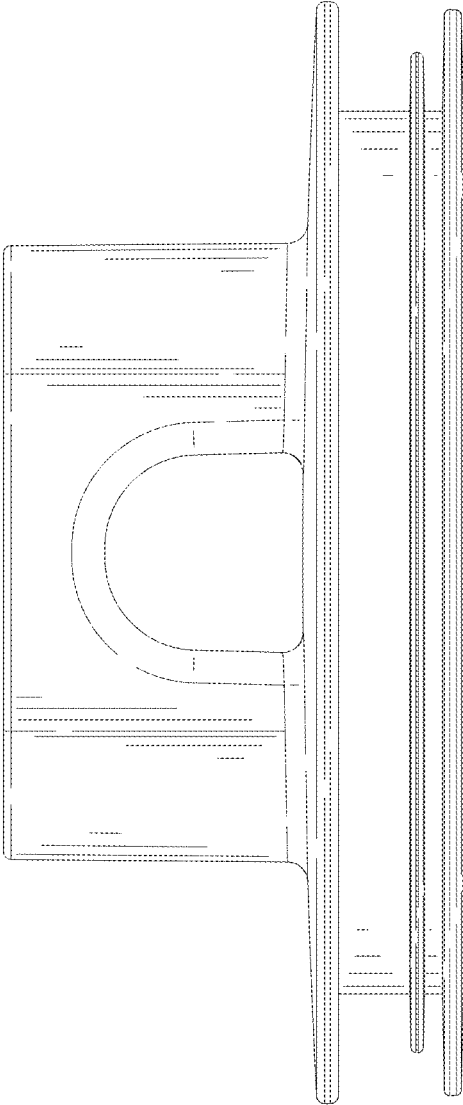


FIG. 4

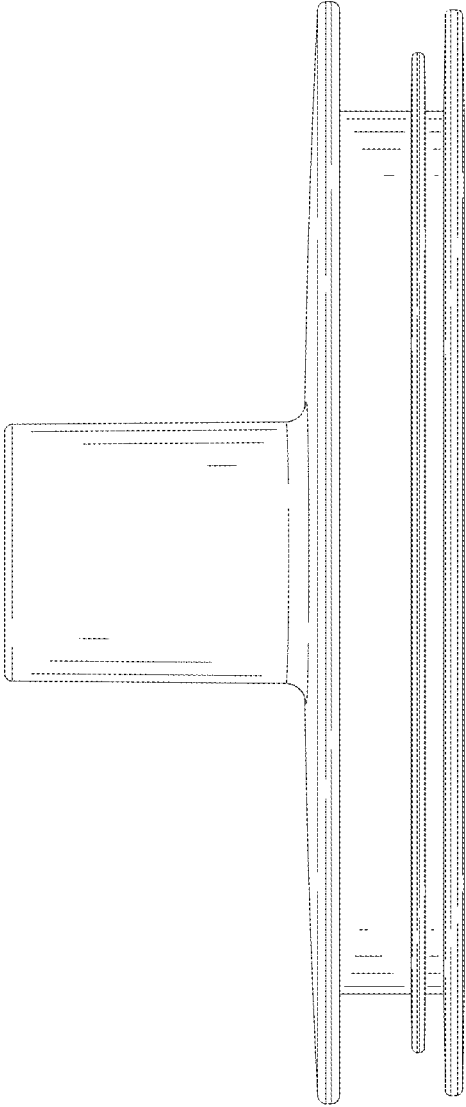


FIG. 5

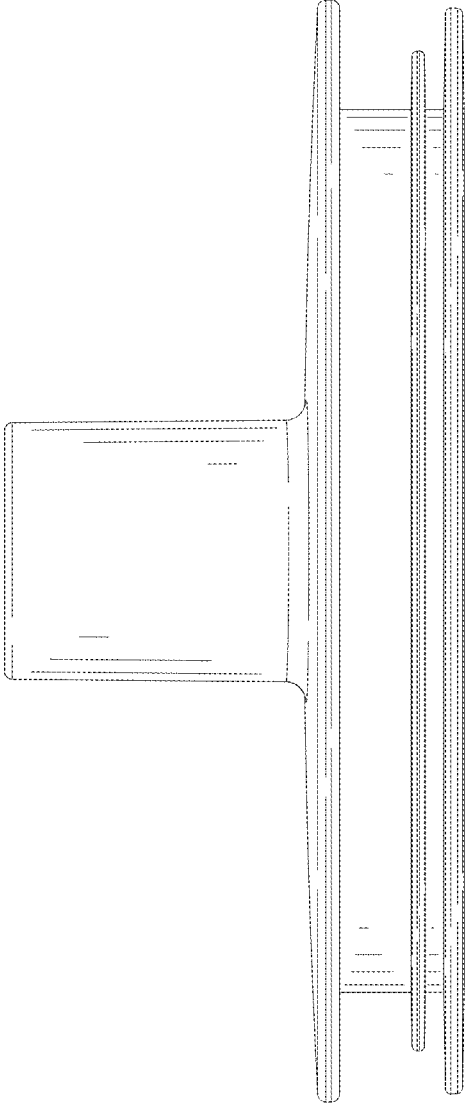


FIG. 6

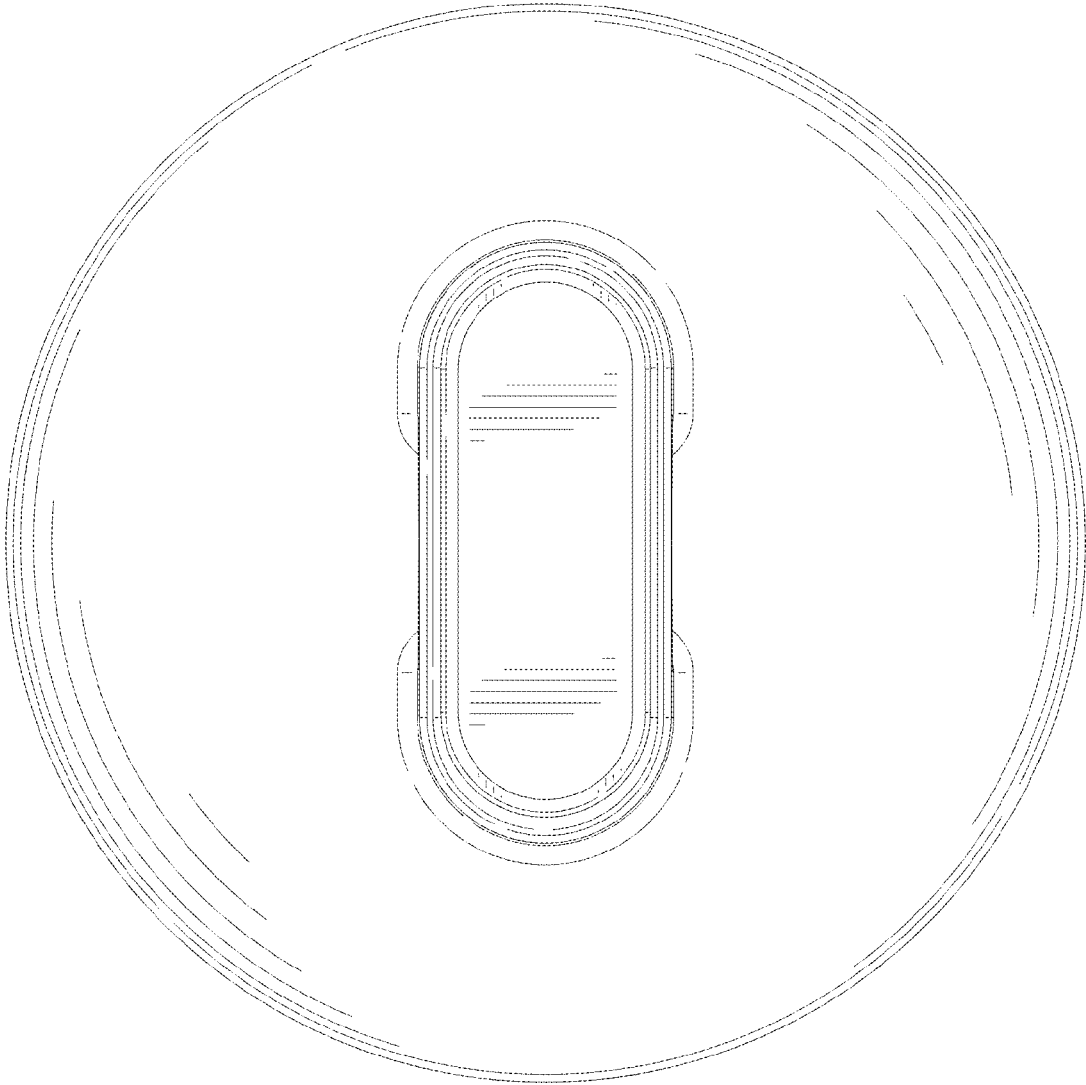


FIG. 7

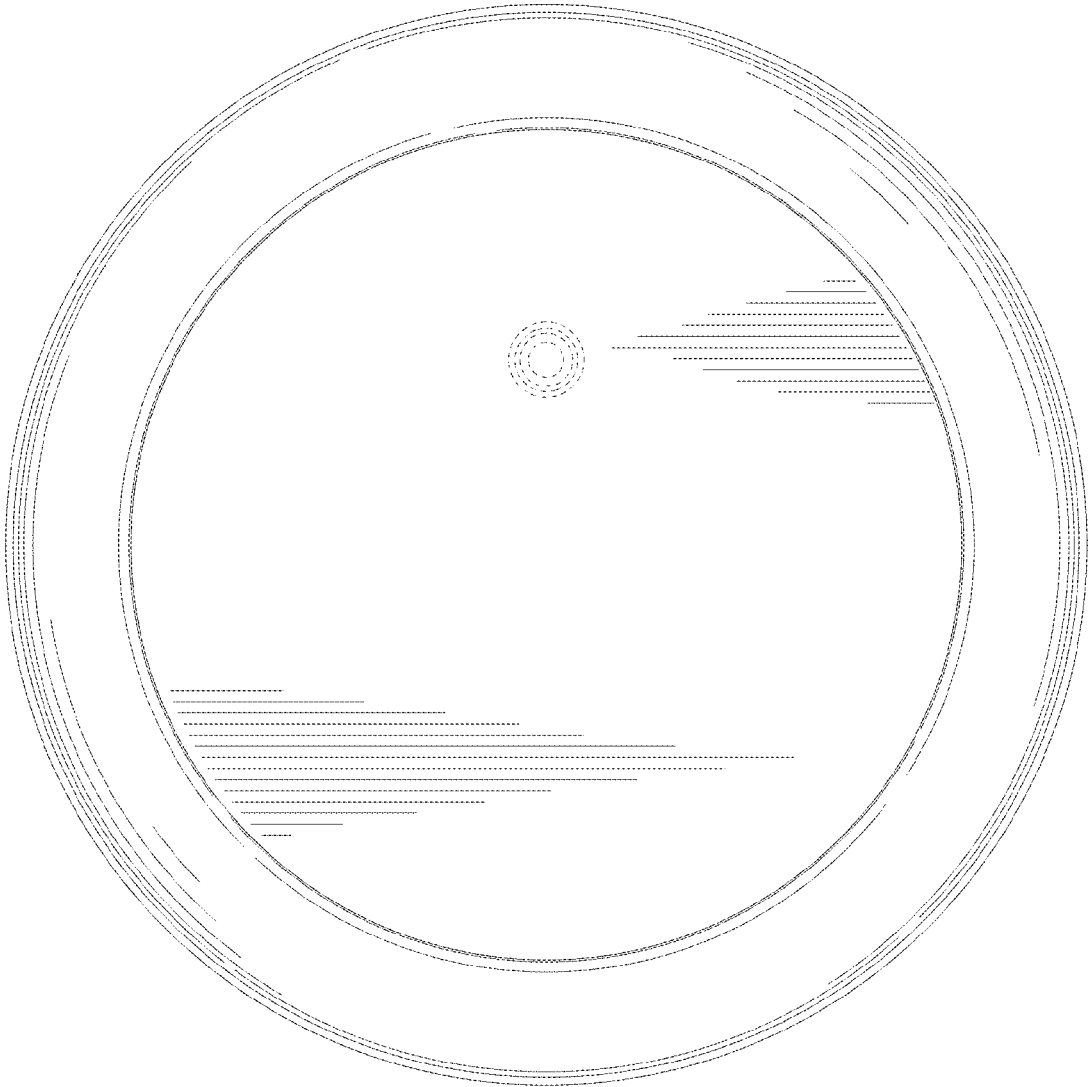


FIG. 8

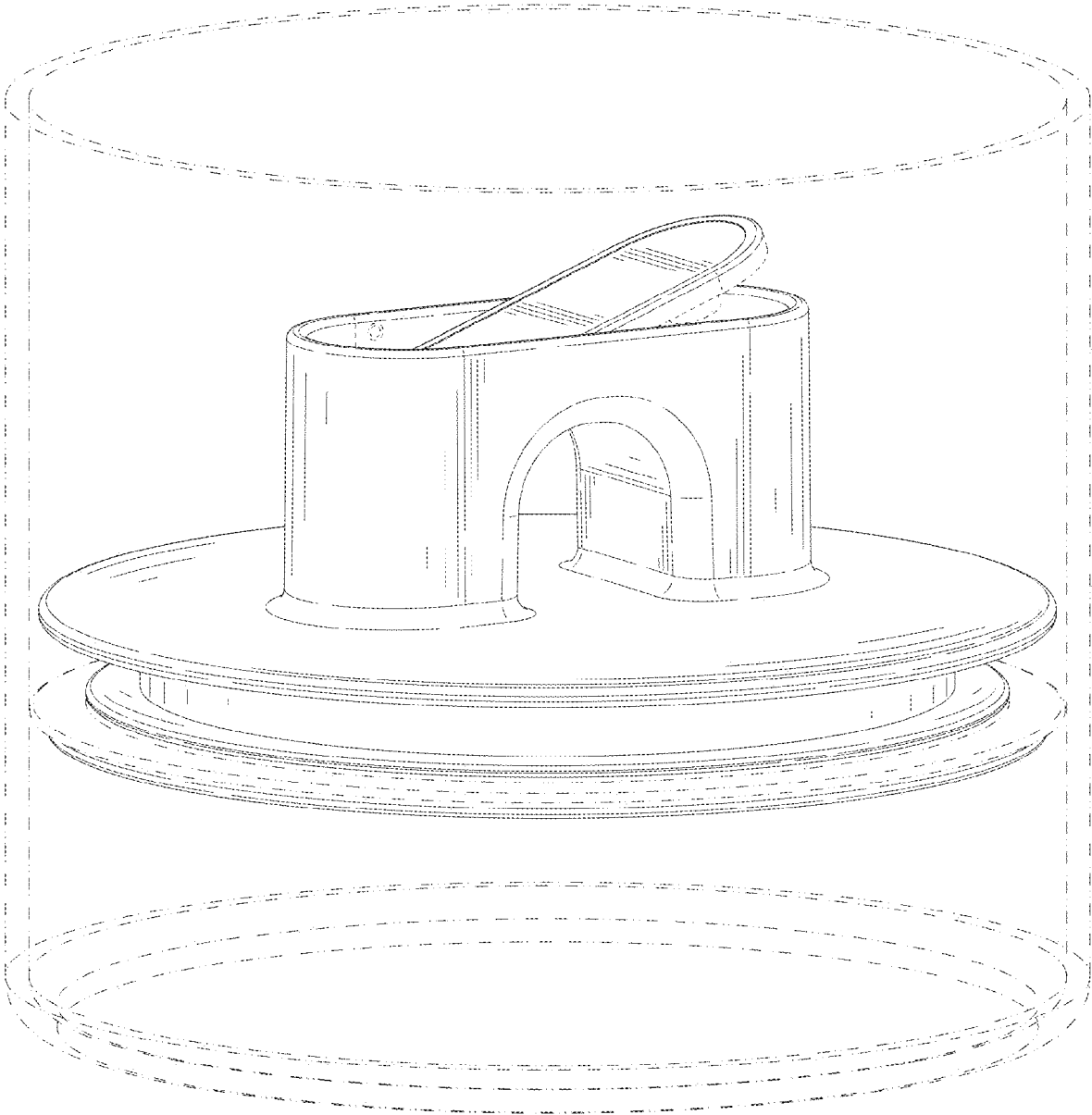


FIG. 9

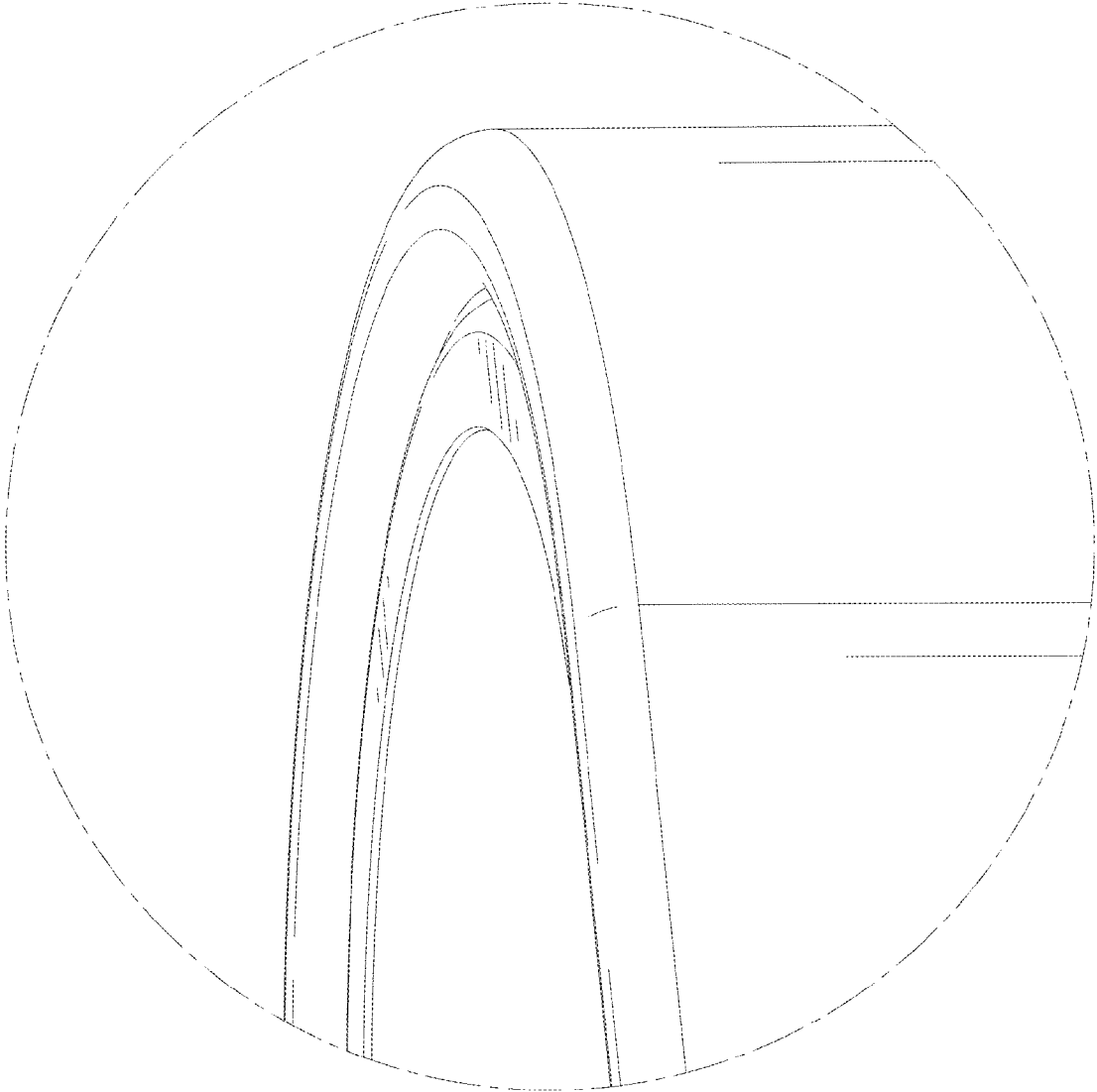


FIG. 10

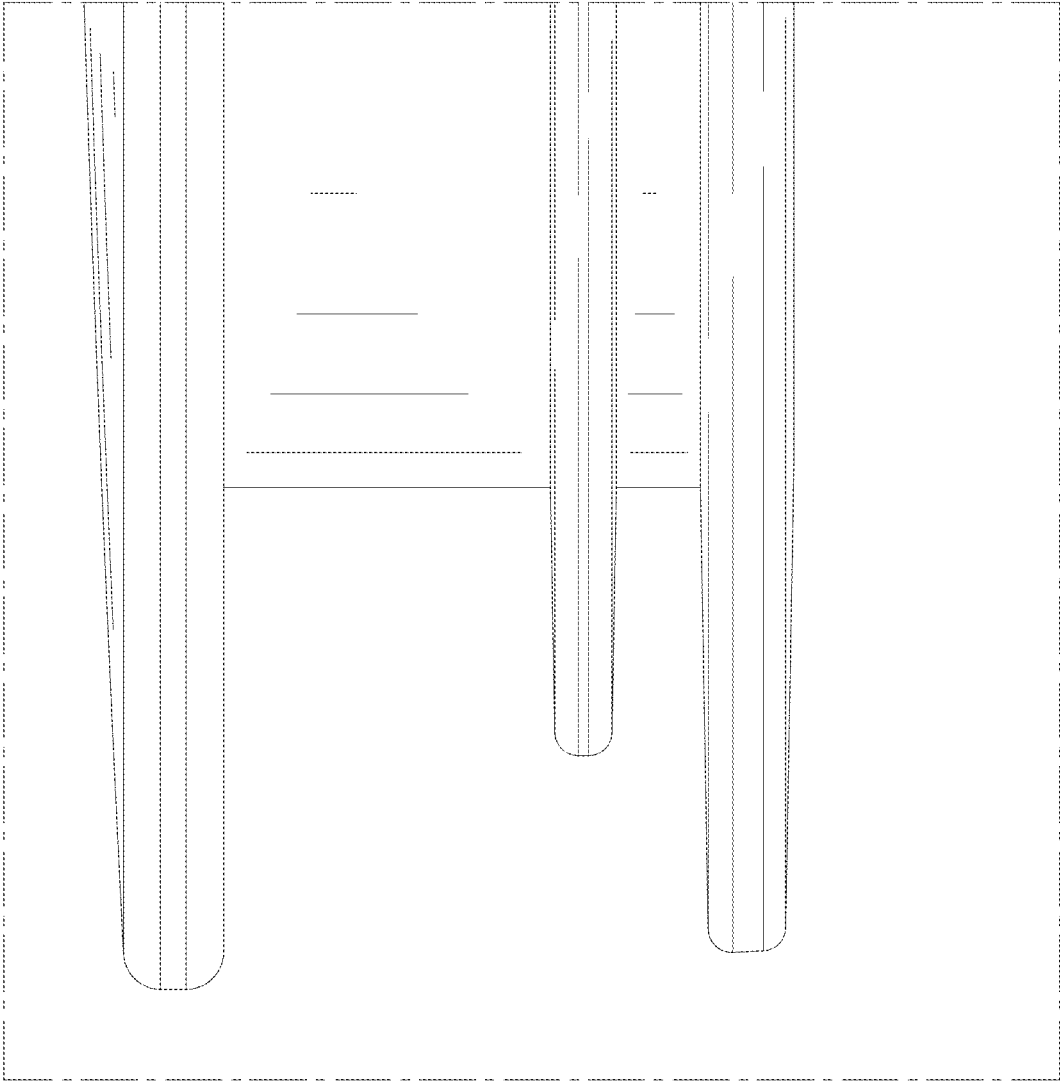


FIG. 11