

(19) World Intellectual Property  
Organization  
International Bureau



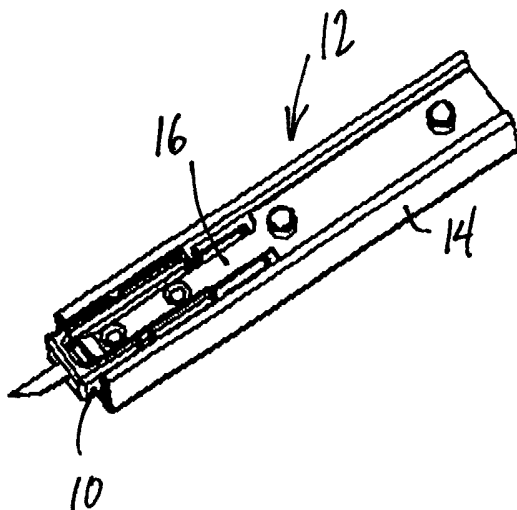
(43) International Publication Date  
11 December 2003 (11.12.2003)

PCT

(10) International Publication Number  
**WO 2003/101297 A3**

- (51) International Patent Classification<sup>7</sup>: **A61B 5/15**
- (21) International Application Number:  
PCT/US2003/017327
- (22) International Filing Date: 30 May 2003 (30.05.2003)
- (25) Filing Language: English
- (26) Publication Language: English
- (30) Priority Data:  
60/384,468 31 May 2002 (31.05.2002) US
- (71) Applicant (for all designated States except US): **FACET TECHNOLOGIES, LLC** [US/US]; 1850 Parkway Place, Suite 900, Marietta, GA 30067 (US).
- (72) Inventors; and
- (75) Inventors/Applicants (for US only): **TAYLOR, William, C.** [US/US]; 930 Autumn Close, Alpharetta, GA 30004 (US). **LEVAUGHN, Richard, W.** [US/US]; 68 Green Cabin Way, Talking Rock, GA 30175 (US). **SOLIS, Mitchell** [US/US]; 1975 Lexington Lane, Cumming, GA 30004 (US). **STOUT, Jeffrey, T.** [US/US]; 1840 Tristan Drive, Smyrna, GA 30080 (US).
- (74) Agents: **GROFF, Bradley, K.** et al.; Gardner & Groff, P.C., Building 23, Suite 300, Paper Mill Village, 600 Village Trace, Marietta, GA 30067 (US).
- (81) Designated States (national): AE, AG, AL, AM, AT, AU, AZ, BA, BB, BG, BR, BY, BZ, CA, CH, CN, CO, CR, CU, CZ, DE, DK, DM, DZ, EC, EE, ES, FI, GB, GD, GE, GH, GM, HR, HU, ID, IL, IN, IS, JP, KE, KG, KP, KR, KZ, LC, LK, LR, LS, LT, LU, LV, MA, MD, MG, MK, MN, MW, MX, MZ, NO, NZ, OM, PH, PL, PT, RO, RU, SC, SD, SE, SG, SK, SL, TJ, TM, TN, TR, TT, TZ, UA, UG, US, UZ, VC, VN, YU, ZA, ZM, ZW.
- (84) Designated States (regional): ARIPO patent (GH, GM, KE, LS, MW, MZ, SD, SL, SZ, TZ, UG, ZM, ZW), Eurasian patent (AM, AZ, BY, KG, KZ, MD, RU, TJ, TM), European patent (AT, BE, BG, CH, CY, CZ, DE, DK, EE, ES, FI, FR, GB, GR, HU, IE, IT, LU, MC, NL, PT, RO, SE, SI, SK, TR), OAPI patent (BF, BJ, CF, CG, CI, CM, GA, GN, GQ, GW, ML, MR, NE, SN, TD, TG).
- Published:**  
— with international search report  
— before the expiration of the time limit for amending the claims and to be republished in the event of receipt of amendments
- (88) Date of publication of the international search report:  
13 May 2004
- For two-letter codes and other abbreviations, refer to the "Guidance Notes on Codes and Abbreviations" appearing at the beginning of each regular issue of the PCT Gazette.

(54) Title: PRECISELY GUIDED LANCET



(57) Abstract: A lancet having one or more portions of the shank of the lancet blade exposed of direct engagement with cooperating portion(s) of the lancet carrier of a lancing device. This direct engagement of the lancet blade with the lancet carrier provides more precise positional control of the location of the lancing site by eliminating the effect that any variation in the position of the lancet blade within the lancet body would otherwise have on the positioning of the lancet tip. Tolerance stack-up is thereby reduced and accuracy is improved, reducing the necessary sample size and minimizing pain resulting from the lancing operation.

WO 2003/101297 A3

INTERNATIONAL SEARCH REPORT

International Application No  
PCT/US 03/17327

A. CLASSIFICATION OF SUBJECT MATTER  
IPC 7 A61B5/15

According to International Patent Classification (IPC) or to both national classification and IPC

B. FIELDS SEARCHED

Minimum documentation searched (classification system followed by classification symbols)  
IPC 7 A61B

Documentation searched other than minimum documentation to the extent that such documents are included in the fields searched

Electronic data base consulted during the international search (name of data base and, where practical, search terms used)

EPO-Internal, PAJ, WPI Data

C. DOCUMENTS CONSIDERED TO BE RELEVANT

Category °	Citation of document, with indication, where appropriate, of the relevant passages	Relevant to claim No.
X	US 6 364 890 B1 (FREEMAN DOMINIQUE M ET AL) 2 April 2002 (2002-04-02) column 7, line 55 -column 8, line 34 column 13, line 64 -column 14, line 45 figures 2A,2B,25 ---	1,2,7,8, 16,18
X	US 2002/004196 A1 (WHITSON ROBERT C) 10 January 2002 (2002-01-10)  paragraphs '0020!, '0021!, '0023! figures 3,4,9A,9B ---	1,2,7,8, 13,14, 16,18
X	WO 00 76408 A (N & V CURIE PTY LTD ;CURIE NAPOLEON (AU)) 21 December 2000 (2000-12-21) page 4, line 23 -page 5, line 27 figures 1,3 ---	1,2,7,8, 13,16
	-/--	

Further documents are listed in the continuation of box C.

Patent family members are listed in annex.

° Special categories of cited documents :

- \*A\* document defining the general state of the art which is not considered to be of particular relevance
- \*E\* earlier document but published on or after the international filing date
- \*L\* document which may throw doubts on priority claim(s) or which is cited to establish the publication date of another citation or other special reason (as specified)
- \*O\* document referring to an oral disclosure, use, exhibition or other means
- \*P\* document published prior to the international filing date but later than the priority date claimed

- \*T\* later document published after the international filing date or priority date and not in conflict with the application but cited to understand the principle or theory underlying the invention
- \*X\* document of particular relevance; the claimed invention cannot be considered novel or cannot be considered to involve an inventive step when the document is taken alone
- \*Y\* document of particular relevance; the claimed invention cannot be considered to involve an inventive step when the document is combined with one or more other such documents, such combination being obvious to a person skilled in the art.
- \*&\* document member of the same patent family

Date of the actual completion of the international search

22 March 2004

Date of mailing of the international search report

31/03/2004

Name and mailing address of the ISA

European Patent Office, P.B. 5818 Patentlaan 2  
NL - 2280 HV Rijswijk  
Tel. (+31-70) 340-2040, Tx. 31 651 epo nl,  
Fax: (+31-70) 340-3016

Authorized officer

Völlinger, M

## INTERNATIONAL SEARCH REPORT

International Application No  
PCT/US 03/17327

## C.(Continuation) DOCUMENTS CONSIDERED TO BE RELEVANT

Category °	Citation of document, with indication, where appropriate, of the relevant passages	Relevant to claim No.
X	US 6 306 152 B1 (LUM PAUL ET AL) 23 October 2001 (2001-10-23) column 6, line 26-56 column 8, line 1-5 figure 5	1,2,7,8, 16
A	----- US 5 439 473 A (JORGENSEN PETER) 8 August 1995 (1995-08-08) column 2, line 19-40 figure 1	1-17
A	----- EP 0 613 656 A (BECTON DICKINSON CO) 7 September 1994 (1994-09-07)  column 2, line 58 -column 3, line 37 column 4, line 36-41 figures 3,5	1,2,4,7, 8,10,13, 16
A	----- US 2002/040230 A1 (FORSTER RICHARD ET AL) 4 April 2002 (2002-04-04) paragraphs '0028!', '0030! figures 1,2 -----	1-17

## INTERNATIONAL SEARCH REPORT

International Application No

PCT/US 03/17327

Patent document cited in search report		Publication date	Patent family member(s)	Publication date
US 6364890	B1	02-04-2002	US 6132449 A	17-10-2000
US 2002004196	A1	10-01-2002	AU 769306 B2 AU 5403601 A CA 2350313 A1 EP 1174083 A2 JP 2002052012 A	22-01-2004 17-01-2002 10-01-2002 23-01-2002 19-02-2002
WO 0076408	A	21-12-2000	WO 0076408 A1 AU 765616 B2 AU 5054600 A DE 10084676 T0 GB 2366737 A , B	21-12-2000 25-09-2003 02-01-2001 30-04-2003 20-03-2002
US 6306152	B1	23-10-2001	NONE	
US 5439473	A	08-08-1995	NONE	
EP 0613656	A	07-09-1994	US 5395387 A AU 673708 B2 AU 5495294 A CA 2115197 A1 EP 0613656 A2 JP 2602626 B2 JP 7303626 A MX 9401199 A1	07-03-1995 21-11-1996 01-09-1994 27-08-1994 07-09-1994 23-04-1997 21-11-1995 31-08-1994
US 2002040230	A1	04-04-2002	DE 10030410 C1 EP 1166719 A2	24-01-2002 02-01-2002