



US00D777117S

(12) **United States Design Patent**  
**Singer et al.**

(10) **Patent No.:** **US D777,117 S**  
(45) **Date of Patent:** **\*\* Jan. 24, 2017**

(54) **SWITCH ASSEMBLY WITH ESCUTCHEON**

(71) Applicant: **Sensata Technologies, Inc.**, Attleboro, MA (US)

(72) Inventors: **Keith A. Singer**, Attleboro, MA (US); **Clifford Buxton**, Bellefontaine, OH (US)

(73) Assignee: **SENSATA TECHNOLOGIES, INC.**, Attleboro, MA (US)

(\*\*) Term: **15 Years**

(21) Appl. No.: **29/562,625**

(22) Filed: **Apr. 27, 2016**

(51) **LOC (10) Cl.** ..... **13-03**

(52) **U.S. Cl.**  
USPC ..... **D13/160**

(58) **Field of Classification Search**  
USPC ..... D13/158, 160, 169  
CPC ..... H01H 9/02; H01H 9/342; H01H 71/00;  
H01H 71/02; H01H 71/0271; H01H  
71/1018  
See application file for complete search history.

(56) **References Cited**

**U.S. PATENT DOCUMENTS**

2,246,298	A	6/1941	Dyer et al.	
3,198,906	A	8/1965	Frink et al.	
4,042,894	A	8/1977	Coleman	
4,276,457	A *	6/1981	Myers	H01H 71/524 200/401
4,650,272	A *	3/1987	Doughty	H01H 71/08 335/35
D293,779	S *	1/1988	Dantoft	D13/169
4,789,848	A	12/1988	Castonguay et al.	
D317,906	S *	7/1991	Winter	D13/160
D325,192	S *	4/1992	Dubicki	D13/158

5,453,723 A \* 9/1995 Fello ..... H01H 9/342  
335/18  
5,510,759 A \* 4/1996 Gula ..... H01H 83/226  
335/18

6,160,227 A 12/2000 Singer  
6,239,962 B1 5/2001 Seymour et al.

(Continued)

*Primary Examiner* — Selina Sikder

(74) *Attorney, Agent, or Firm* — Adler Pollock & Sheehan P.C.; George N. Chaclas, Esq.; Daniel J. Holmänder, Esq.

(57) **CLAIM**

The ornamental design for a switch assembly with escutcheon, as shown and described.

**DESCRIPTION**

FIG. 1 is a perspective view of a switch assembly with escutcheon in a first position in accordance with the subject disclosure.

FIG. 2 is top plan thereof;

FIG. 3 is a bottom plan view thereof;

FIG. 4 is a left side view thereof;

FIG. 5 is a right side view thereof;

FIG. 6 is a rear elevation view thereof;

FIG. 7 is a front elevation view thereof;

FIG. 8 is a perspective view of the switch assembly with escutcheon in a second position thereof;

FIG. 9 is top plan view thereof;

FIG. 10 is a bottom plan view thereof;

FIG. 11 is a left side view thereof;

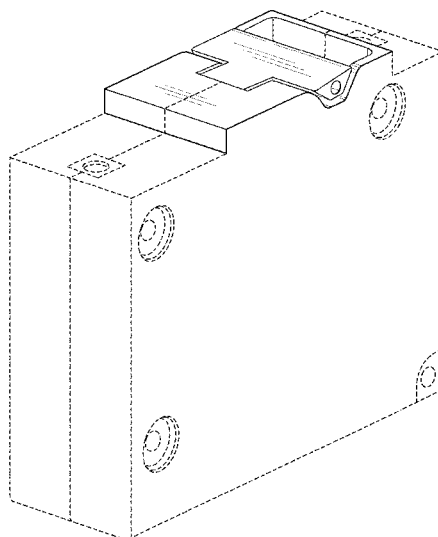
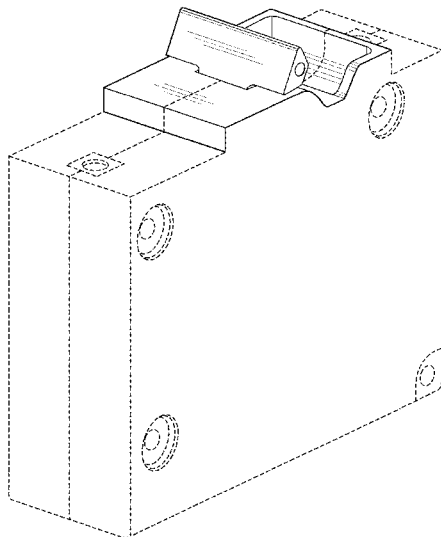
FIG. 12 is a right side view thereof;

FIG. 13 is a rear elevation view thereof; and,

FIG. 14 is a front elevation view thereof.

The broken line showings of the switch assembly with escutcheon are included for the purpose of illustrating the environment, and portions of the switch assembly with escutcheon and form no part of the claimed design.

**1 Claim, 14 Drawing Sheets**



(56)

**References Cited**

U.S. PATENT DOCUMENTS

6,545,574	B1 *	4/2003	Seymour	.....	H01H 71/0271 335/18
7,268,654	B2 *	9/2007	Dorn	.....	H01H 71/1054 335/157
7,863,534	B2	1/2011	Narayanasamy et al.		
8,369,052	B2 *	2/2013	McCoy	.....	H01H 71/1018 361/115
9,349,559	B2 *	5/2016	DeBoer	.....	H01H 71/0271
2006/0028307	A1 *	2/2006	McCoy	.....	H01H 71/16 335/172
2009/0174508	A1 *	7/2009	Watford	.....	H01H 71/02 335/8
2010/0020453	A1 *	1/2010	McCoy	.....	H01H 71/1018 361/42
2015/0318136	A1 *	11/2015	DeBoer	.....	H01H 71/0271 335/38
2016/0141846	A1 *	5/2016	Atchley	.....	H01H 71/02 361/605

\* cited by examiner

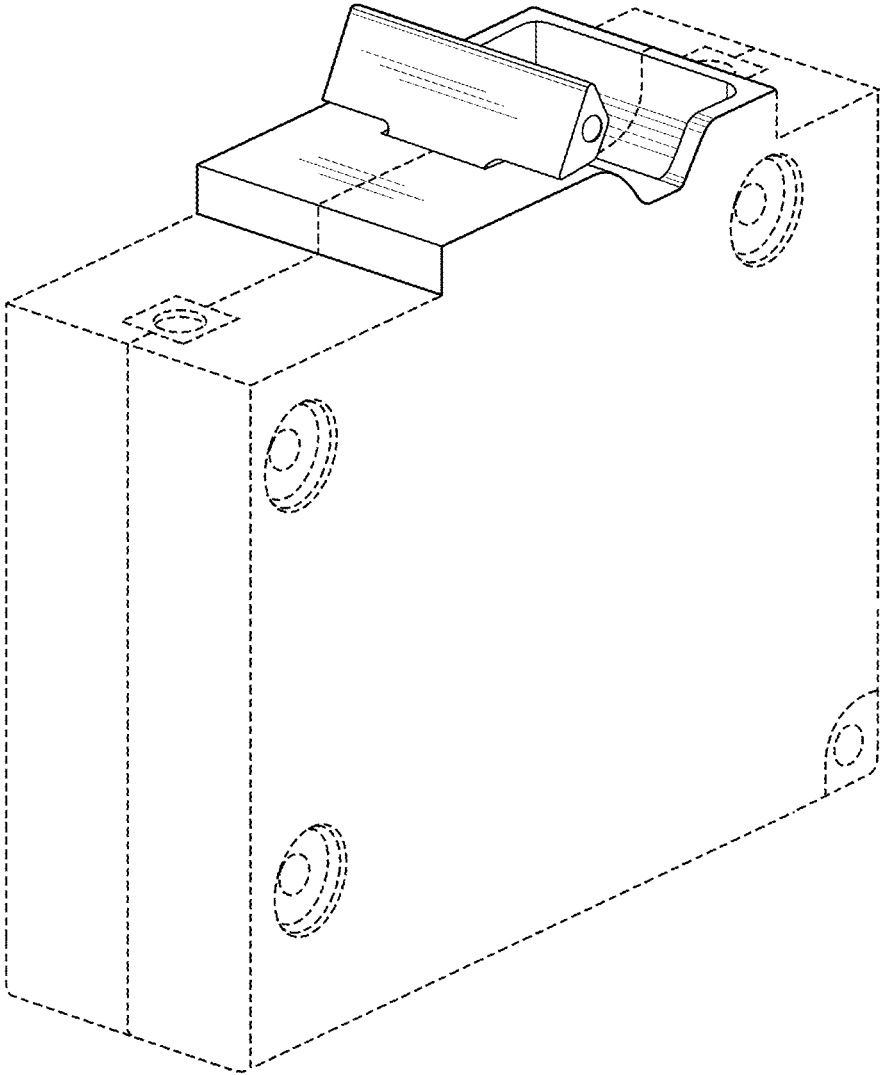


FIG. 1

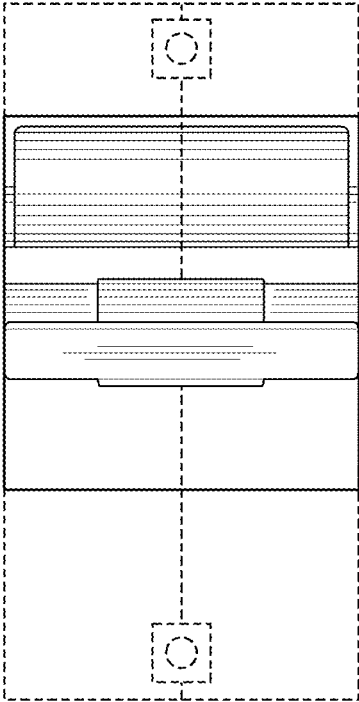


FIG. 2

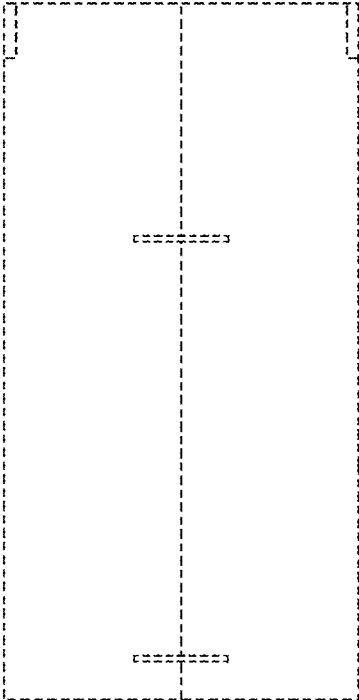


FIG. 3

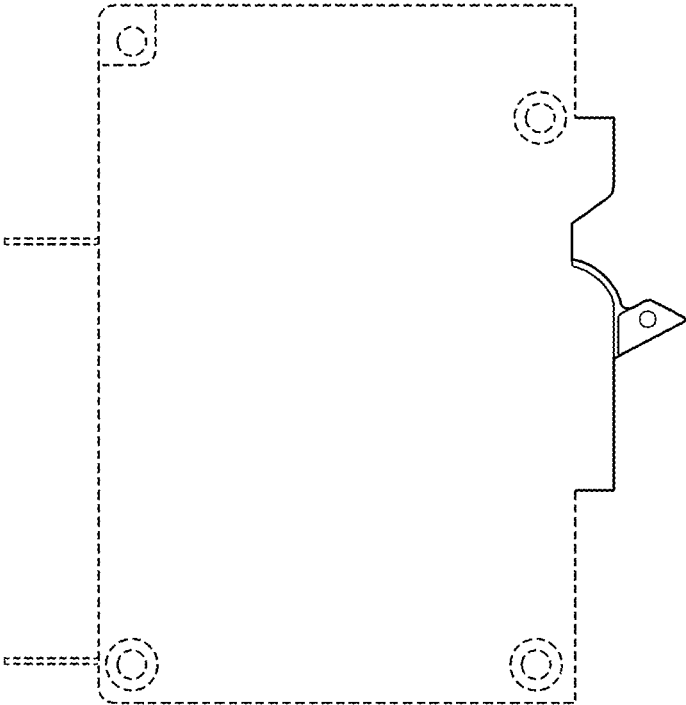


FIG. 4

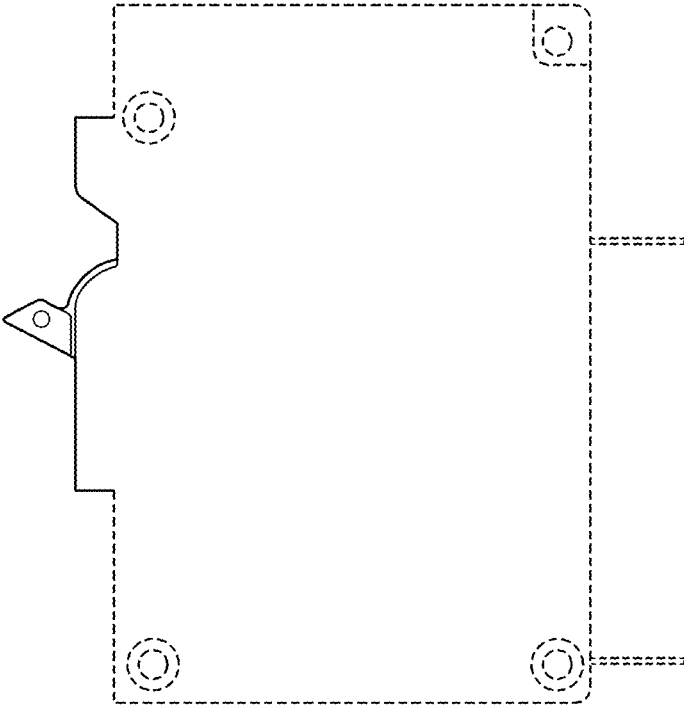


FIG. 5

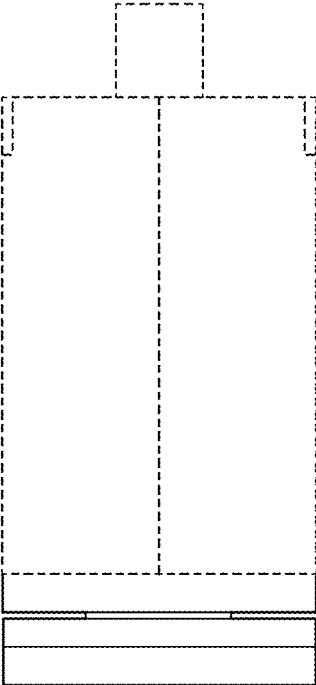


FIG. 6



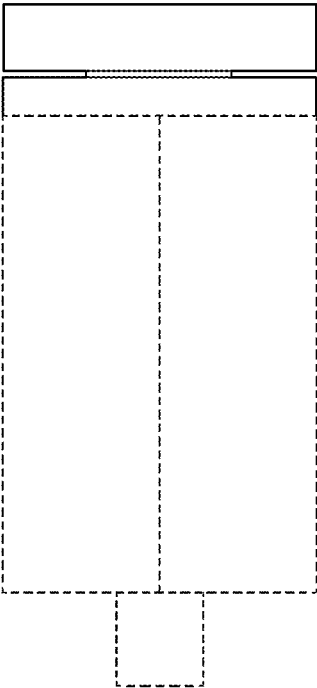


FIG. 7

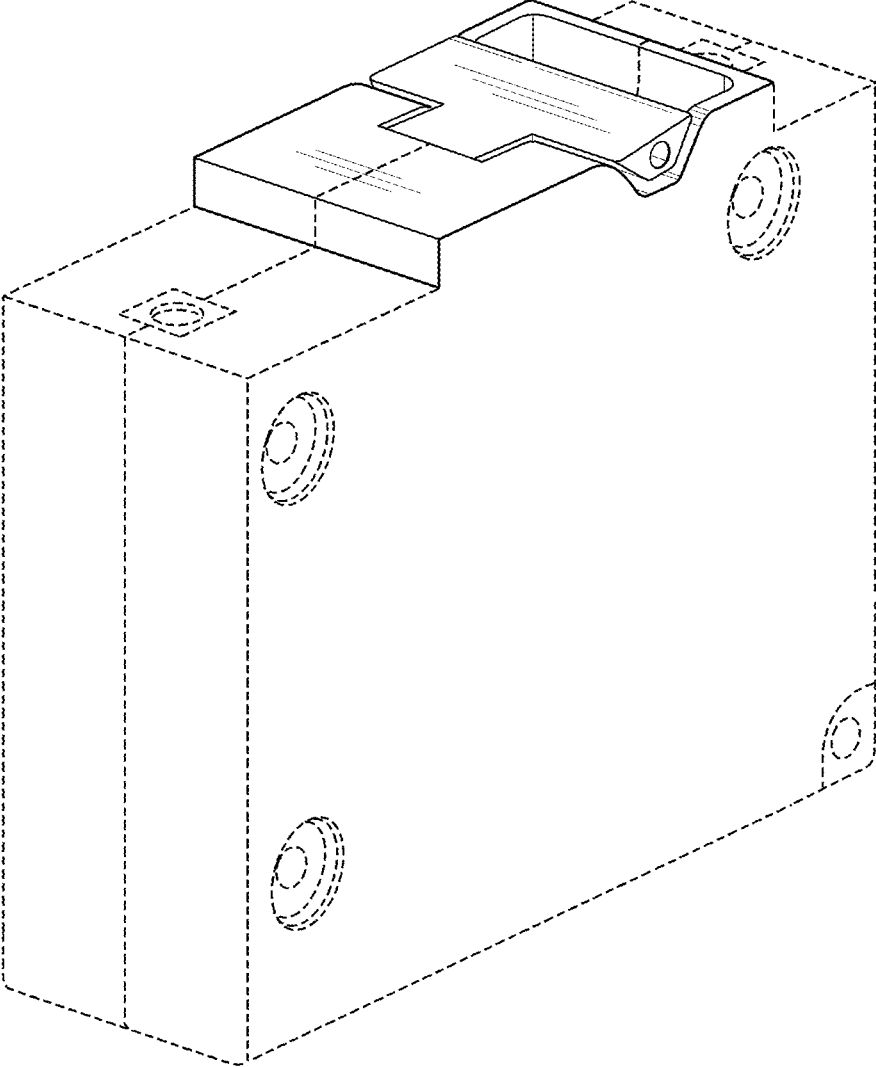


FIG. 8

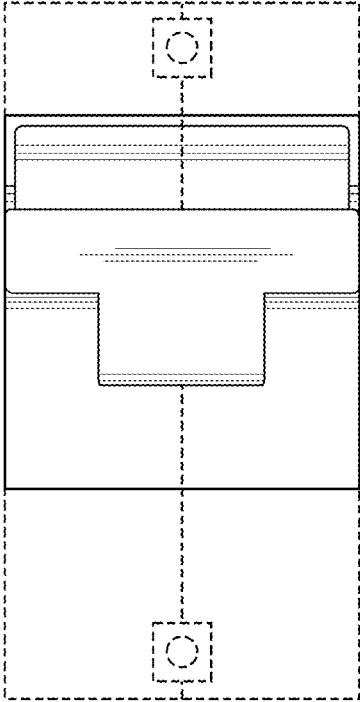


FIG. 9

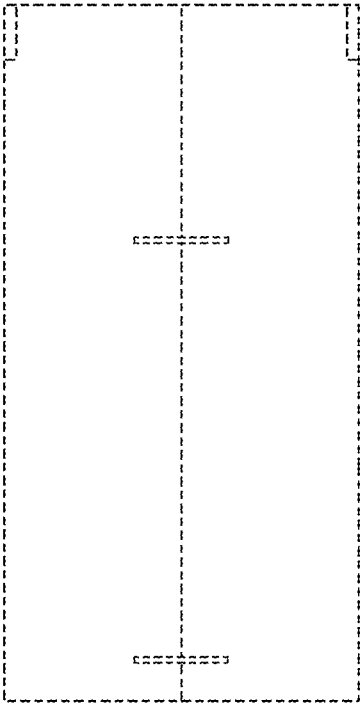


FIG. 10

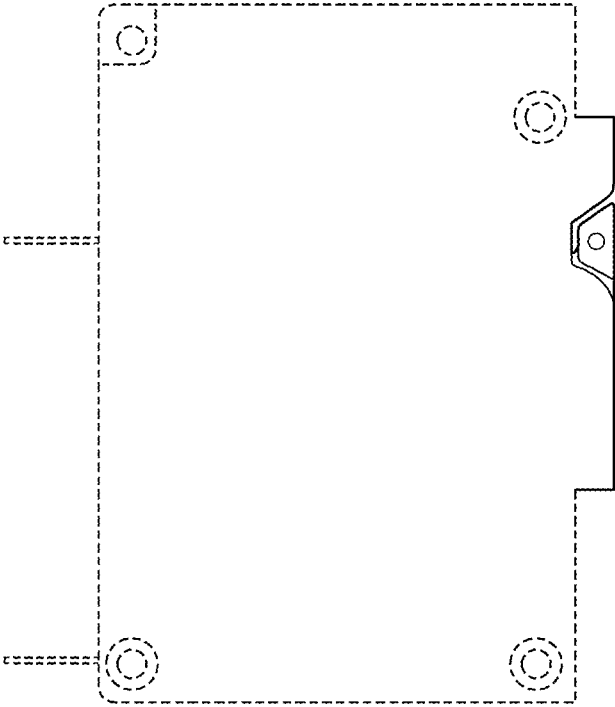


FIG. 11

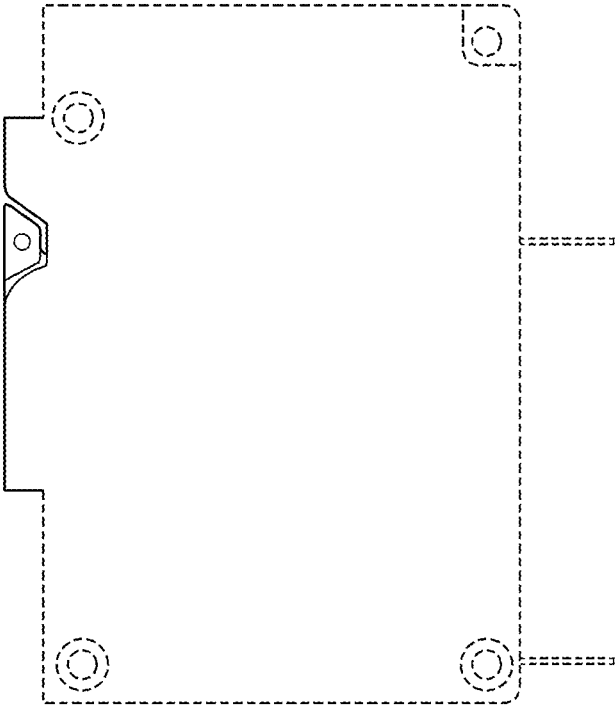


FIG. 12

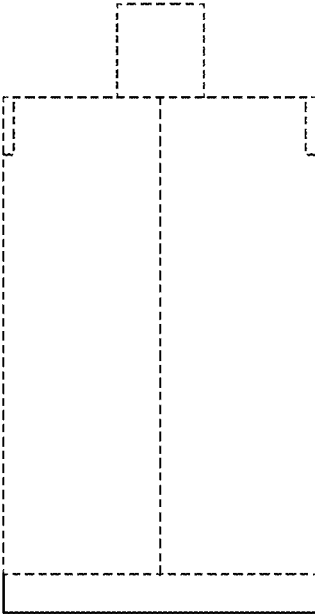


FIG. 13

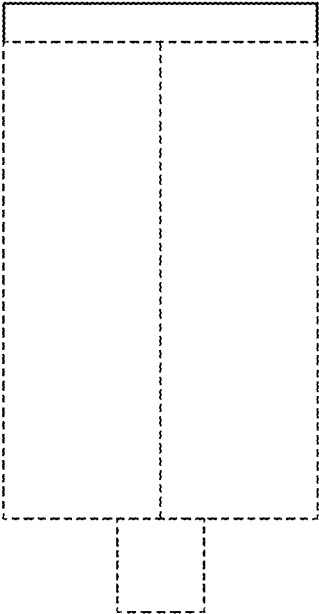


FIG. 14