



US00D902876S

(12) **United States Design Patent**  
**Matthesen**

(10) **Patent No.:** **US D902,876 S**

(45) **Date of Patent:** **\*\* Nov. 24, 2020**

(54) **BED POST**

(71) Applicant: **Vendlet ApS**, Aabenraa (DK)

(72) Inventor: **Søren Hedegaard Matthesen**, Vejle (DK)

(\*\*) Term: **15 Years**

(21) Appl. No.: **35/507,944**

(22) Filed: **Jul. 18, 2019**

(80) **Hague Agreement Data**

Int. Filing Date: **Jul. 18, 2019**

Int. Reg. No.: **DM/204213**

Int. Reg. Date: **Jul. 18, 2019**

Int. Reg. Pub. Date: **Nov. 29, 2019**

(51) **LOC (12) Cl.** ..... **06-06**

(52) **U.S. Cl.**

USPC ..... **D13/181**; D6/712

(58) **Field of Classification Search**

USPC .... D6/680.2, 712, 681.1, 552, 718; D8/354, D8/377, 301; D25/68, 119, 124, 123, D25/38.1, 60, 136; D32/42; D26/138

CPC ..... E05F 15/635; E06B 1/12; A47G 25/0671; A47C 19/20

See application file for complete search history.

(56) **References Cited**

**U.S. PATENT DOCUMENTS**

- 3,316,564 A \* 5/1967 Rogers, Jr. .... A47C 19/20 5/9.1
- 3,475,870 A \* 11/1969 Birum, Jr. .... E06B 1/12 52/211
- D230,453 S \* 2/1974 Harris ..... D6/718
- D376,856 S \* 12/1996 DiGiorgio ..... D25/124
- D394,511 S \* 5/1998 Dallaire ..... D25/124
- 6,216,887 B1 \* 4/2001 Soo ..... A47G 25/0671 211/189

- D535,512 S \* 1/2007 Eastman ..... D6/552
- D550,862 S \* 9/2007 Brabeck ..... D25/124
- D593,686 S \* 6/2009 Campbell ..... D25/124
- D736,956 S \* 8/2015 Chaney ..... D25/124
- D771,477 S \* 11/2016 Anderson ..... D8/377
- D810,541 S \* 2/2018 Amato ..... D8/301
- D815,308 S \* 4/2018 Schuit ..... D25/124
- D818,186 S \* 5/2018 Trzesniowski ..... D26/138
- D819,835 S \* 6/2018 Kligman ..... D25/136
- D820,474 S \* 6/2018 Kosonen ..... D25/119
- D821,611 S \* 6/2018 Singh ..... D25/119
- D822,228 S \* 7/2018 Wang ..... D25/119
- D832,465 S \* 10/2018 Hilliaho ..... D25/119
- D833,648 S \* 11/2018 Shearer ..... D25/119
- D834,217 S \* 11/2018 Lee ..... D25/124
- D834,729 S \* 11/2018 Lee ..... D25/119
- D836,216 S \* 12/2018 Roberts ..... D25/124
- D841,836 S \* 2/2019 Hohwart ..... E05F 15/635 D25/119

- D843,598 S \* 3/2019 Chapman ..... D25/60
- D849,270 S \* 5/2019 Singh ..... D25/119

(Continued)

*Primary Examiner* — Rhea Shields

(57) **CLAIM**

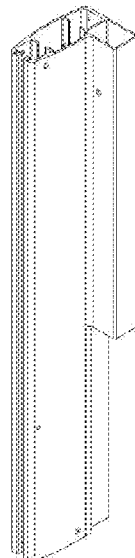
The ornamental design for bed post, as shown and described.

**DESCRIPTION**

- 1. Bed post
- 1.1 : Perspective
- 1.2 : Front
- 1.3 : Left
- 1.4 : Back
- 1.5 : Right
- 1.6 : Top
- 1.7 : Bottom

Fig. 1.1 is a perspective view of the bed post; fig. 1.2 is a front view of the bed post; fig. 1.3 is a left side view of the bed post; fig. 1.4 is a back view of the bed post; fig. 1.5 is a right side view of the bed post; fig. 1.6 is a top view of the bed post; fig. 1.7 is a bottom view of the bed post.

**1 Claim, 7 Drawing Sheets**



(56)

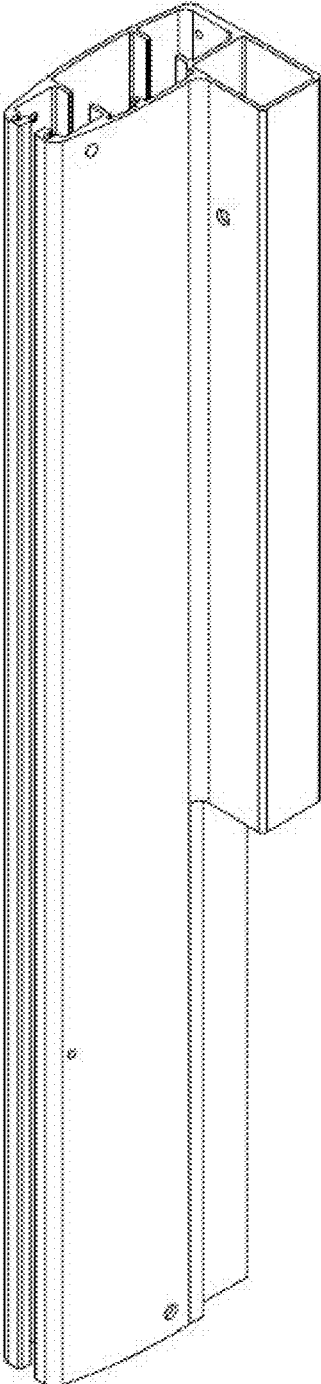
**References Cited**

U.S. PATENT DOCUMENTS

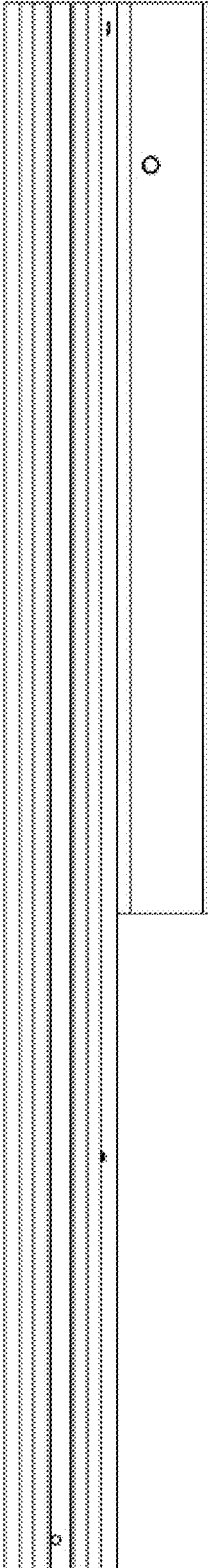
D850,651	S	*	6/2019	Ward, Jr.	.....	D25/38.1
D850,657	S	*	6/2019	Luvison	.....	D25/123
D854,192	S	*	7/2019	Rokvic	.....	D25/124
D857,434	S	*	8/2019	Liu	.....	D6/712
D857,924	S	*	8/2019	Steen	.....	D25/119
D860,694	S	*	9/2019	Wilke	.....	D6/680.2
D869,688	S	*	12/2019	Lanzafame	.....	D25/68
D874,903	S	*	2/2020	Tao	.....	D8/354
D881,614	S	*	4/2020	Wilke	.....	D6/680.2
D885,611	S	*	5/2020	Marshall	.....	D25/124
D887,584	S	*	6/2020	Marshall	.....	D25/124
D894,647	S	*	9/2020	Erebia	.....	D6/681.1

\* cited by examiner

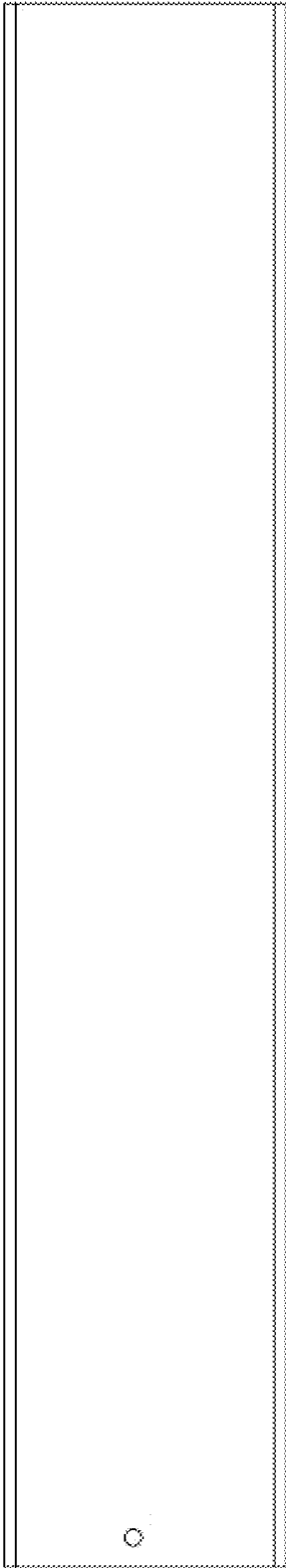
1.1



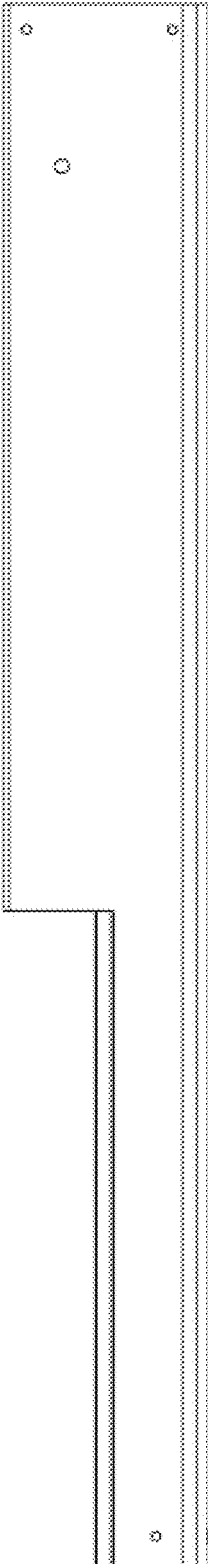
# 1.2



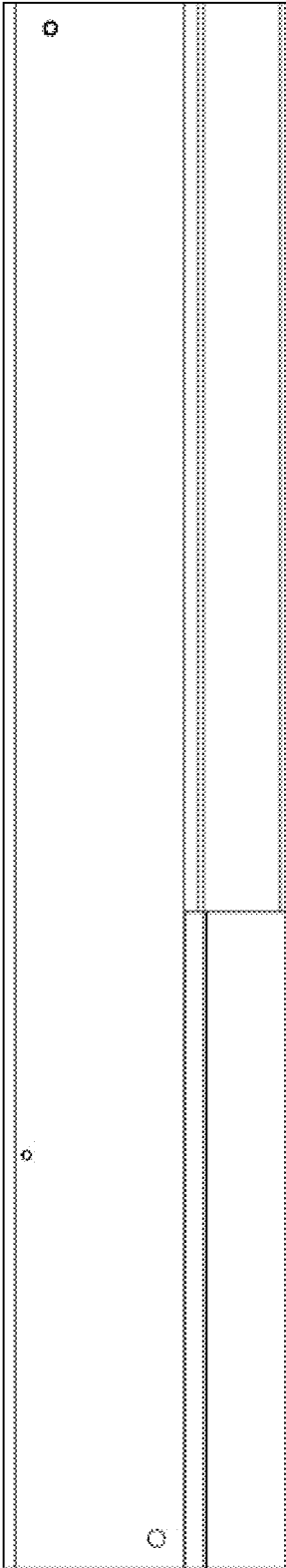
# 1.3



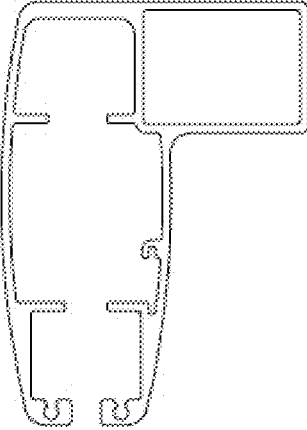
# 1.4



# 1.5



1.6



1.7

