



US00D342425S

# United States Patent [19]

Watanabe et al.

[11] Patent Number: Des. 342,425

[45] Date of Patent: \*\* Dec. 21, 1993

[54] ELECTRIC MOWER  
[75] Inventors: Satoru Watanabe; Masakazu Sakamoto, both of Tokyo, Japan

4,825,548 5/1989 Driggers ..... 30/DIG. 5  
4,916,886 4/1990 Nakamura et al. .... 56/12.7  
5,142,853 9/1992 Routery ..... 56/255

[73] Assignee: Ryobi Ltd., Hiroshima, Japan

### FOREIGN PATENT DOCUMENTS

533831 6/1980 Japan .

[\*\*] Term: 14 Years

### OTHER PUBLICATIONS

[21] Appl. No.: 910,388

Toro Catalog, Jul. 1988, p. 16, "TC 5000" trimmer.

[22] Filed: Jul. 8, 1992

Primary Examiner—Bernard Ansher  
Assistant Examiner—Sandra Morris  
Attorney, Agent, or Firm—Sughrue, Mion, Zinn,  
Macpeak & Seas

### [30] Foreign Application Priority Data

Jan. 21, 1992 [JP] Japan ..... 4-1357  
[52] U.S. Cl. .... D8/8; D15/16  
[58] Field of Search ..... D8/8; D15/1, 14-18;  
30/276, 390, DIG. 5; 56/12.7, 234, 239, 249,  
255, 289, 295

### CLAIM

[57] The ornamental design for an electric mower, as shown.

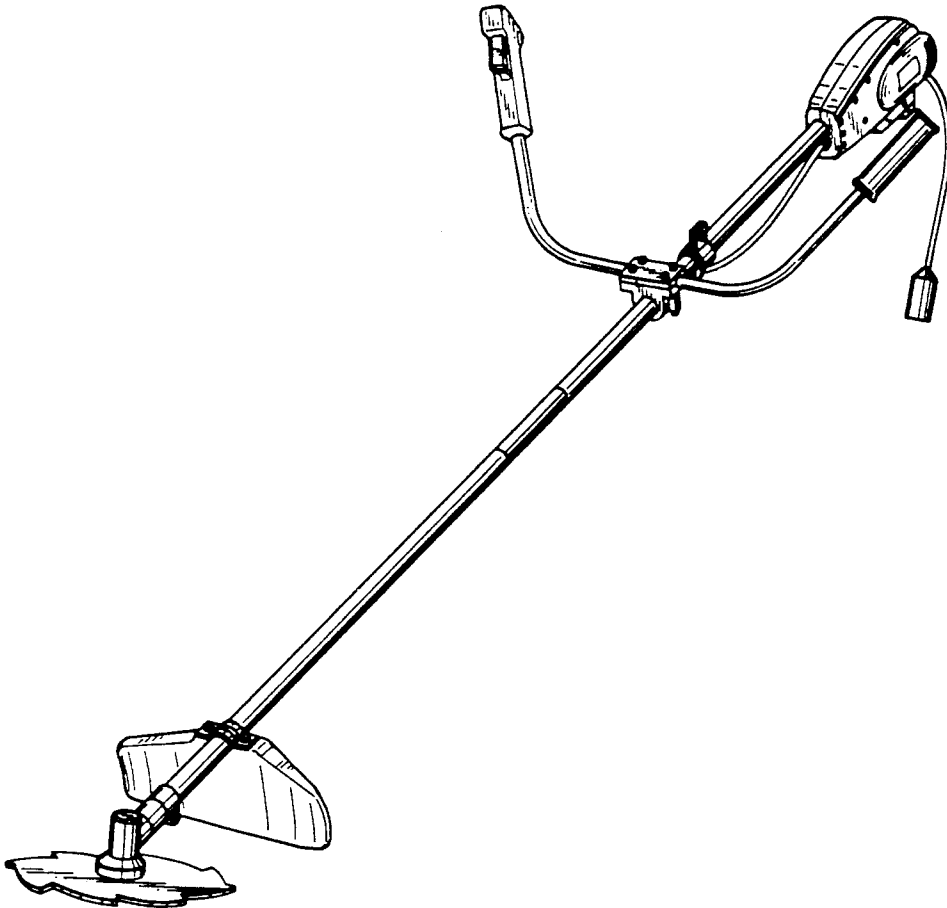
### DESCRIPTION

### [56] References Cited

#### U.S. PATENT DOCUMENTS

D. 290,365 6/1987 Hatano et al. .... D15/16  
D. 292,980 12/1987 Tomita et al. .... D15/16  
D. 326,270 5/1992 Wada et al. .... D15/16  
4,179,805 12/1979 Yamada ..... 30/276  
4,475,287 10/1984 Beihoffer ..... 30/276  
4,759,128 7/1988 Katoh et al. .... 56/12.7

FIG. 1 is a front and right side perspective view of an electric mower showing our new design;  
FIG. 2 is a left side elevational view thereof;  
FIG. 3 is a right side elevational view thereof;  
FIG. 4 is a front elevational view thereof;  
FIG. 5 is a rear elevational view thereof;  
FIG. 6 is a top plan view thereof; and,  
FIG. 7 is a bottom plan view thereof.



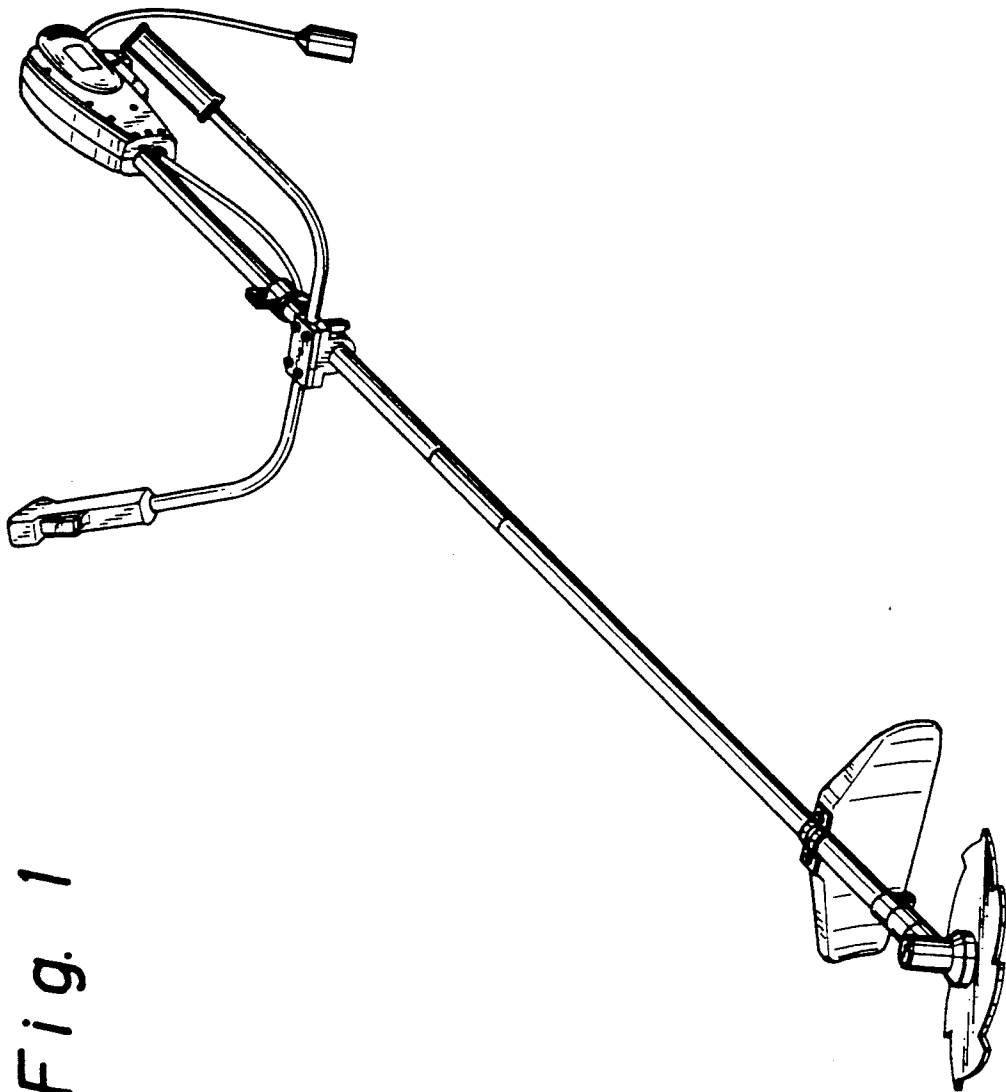
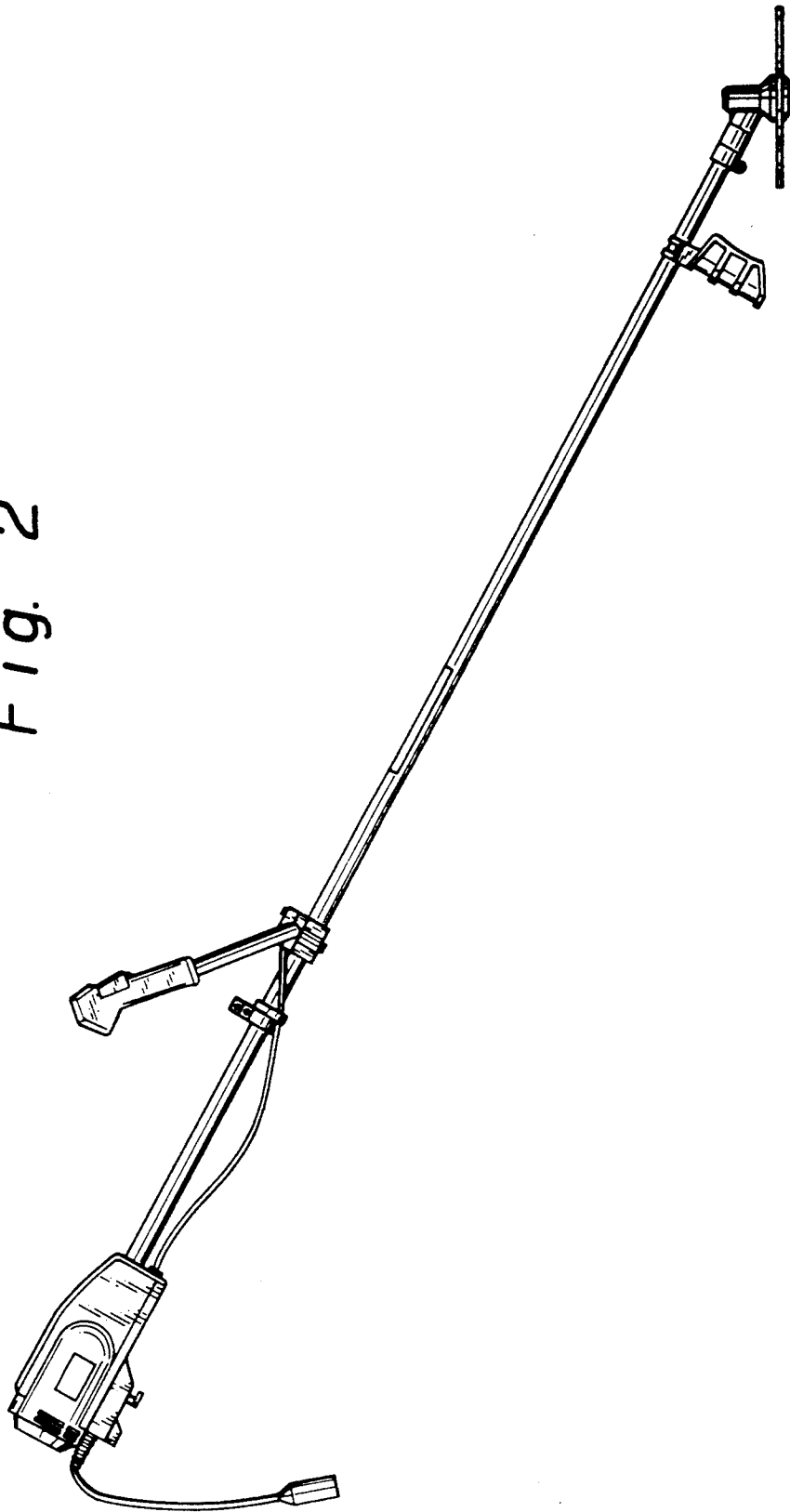


Fig. 1

Fig. 2



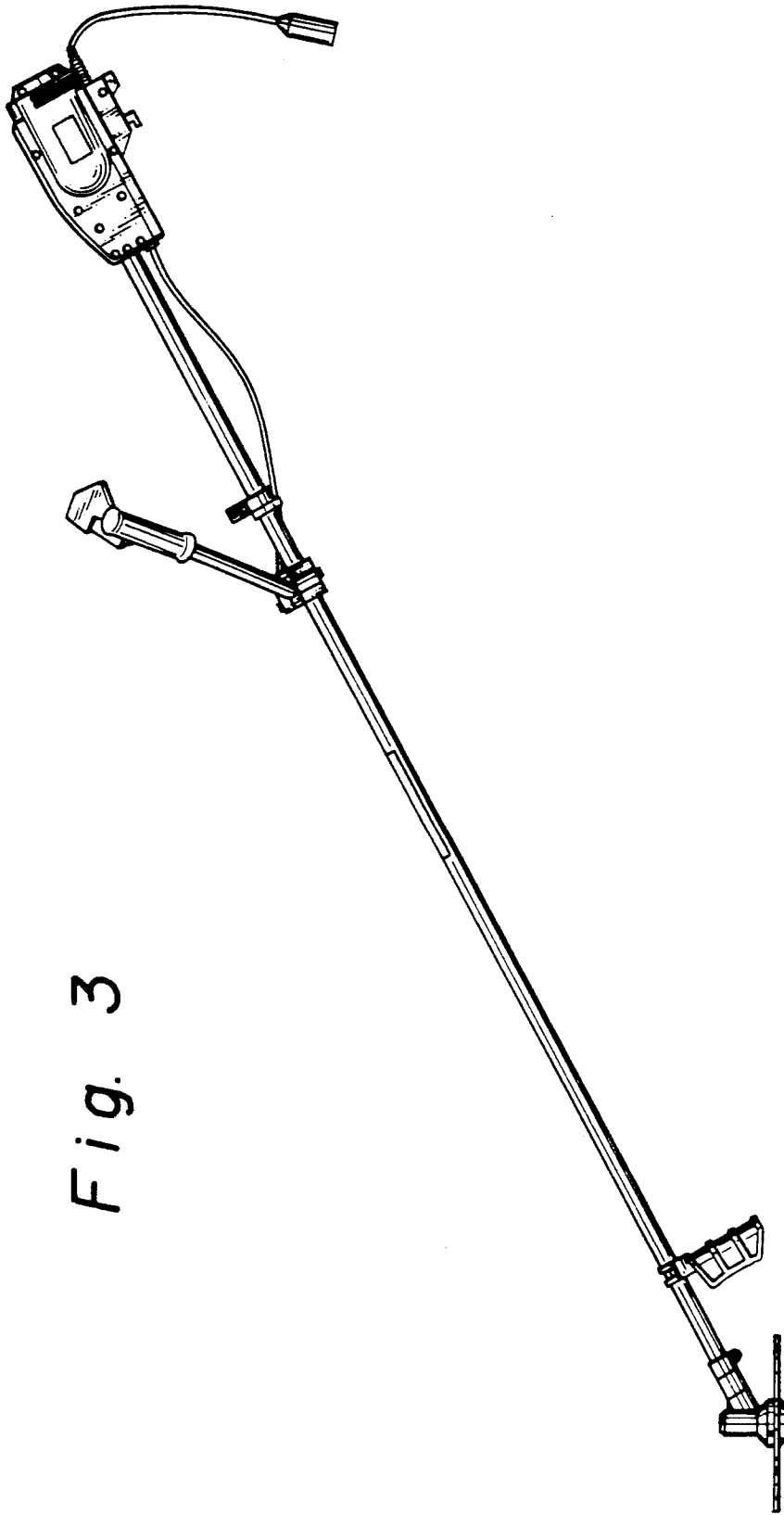
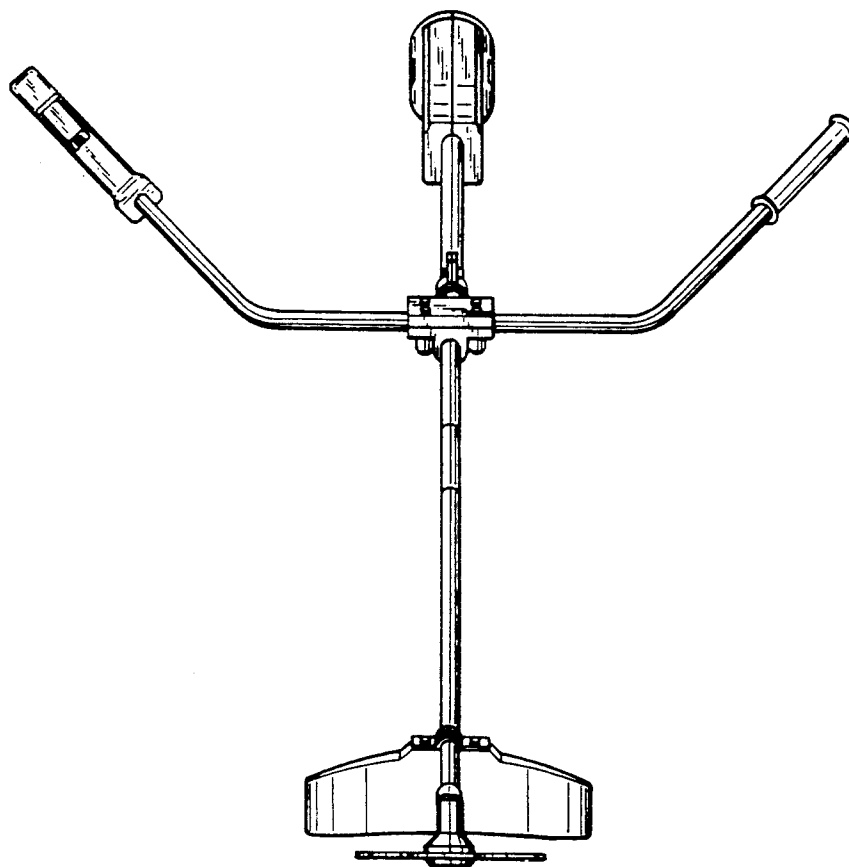


Fig. 3

*Fig. 4*



*Fig. 5*

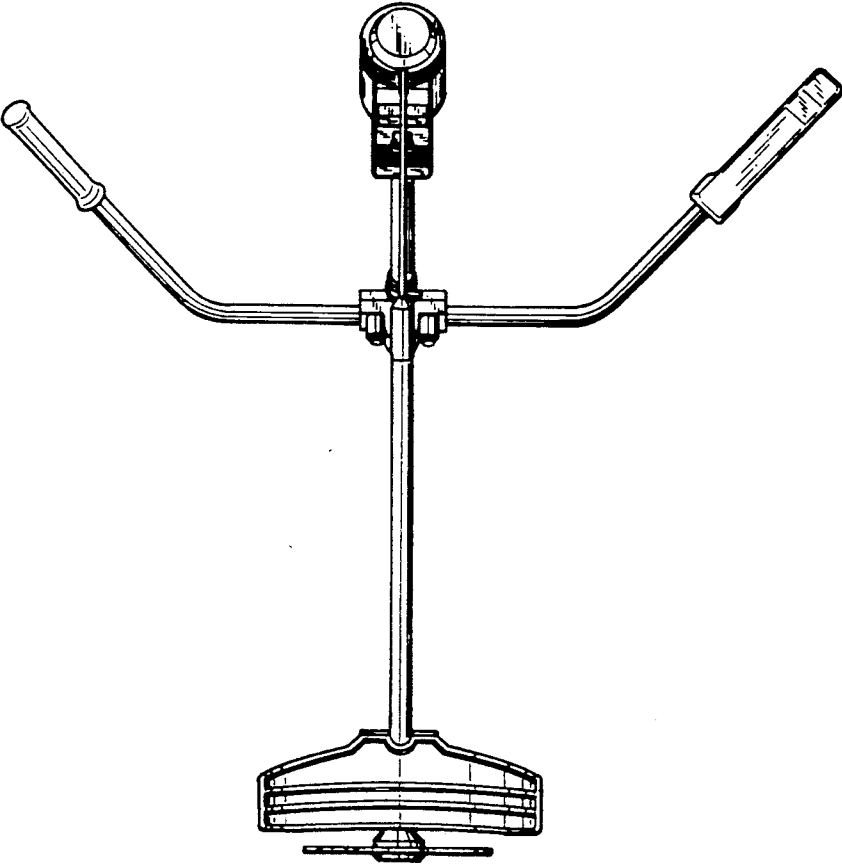


Fig. 6

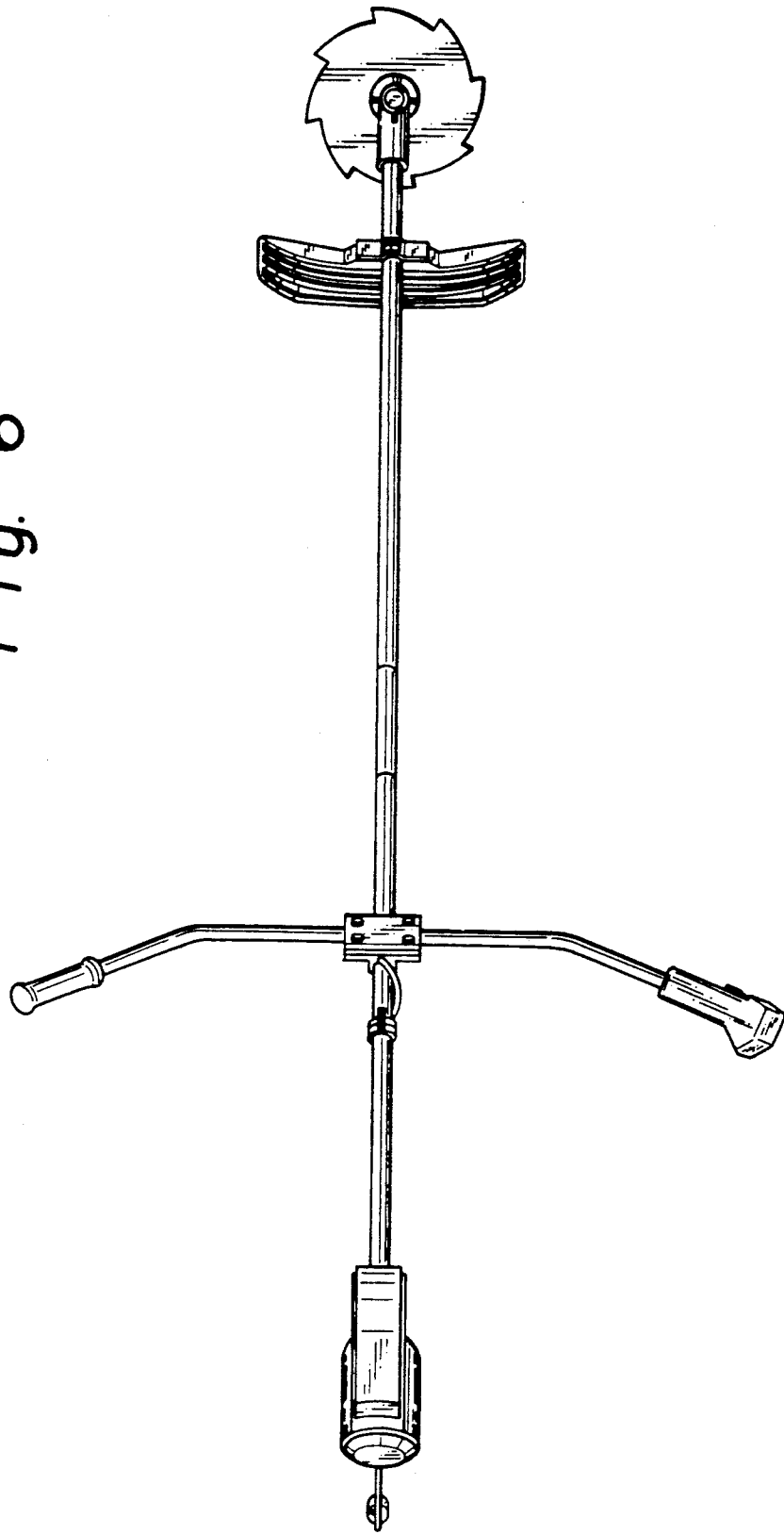


Fig. 7

