

CORRECTED VERSION

(19) World Intellectual Property Organization
International Bureau



(43) International Publication Date
17 September 2009 (17.09.2009)

(10) International Publication Number
WO 2009/114706 A8

- (51) International Patent Classification:
F25D 23/02 (2006.01) *F25D 25/00* (2006.01)
F25D 23/06 (2006.01)
- (21) International Application Number:
PCT/US2009/036979
- (22) International Filing Date:
12 March 2009 (12.03.2009)
- (25) Filing Language: English
- (26) Publication Language: English
- (30) Priority Data:
61/035,775 12 March 2008 (12.03.2008) US
- (71) Applicant (for all designated States except US):
WHIRLPOOL CORPORATION [US/US]; 2000 M-63
North, Benton Harbor, MI 49022 (US).
- (72) Inventors; and
- (75) Inventors/Applicants (for US only): **ALLARD, Paul, B.**
[US/US]; 1844 El Dorado, Stevensville, MI 49127 (US).
KENDALL, James, W. [US/US]; 4376 Tosi Circle,
Stevensville, MI 49127 (US). **KUEHL, Steven, J**
[US/US]; 5111 Puetz Road, Stevensville, MI 49127 (US).
LUCAS, Alan, S. [US/US]; 3613 Oaklyn Court,
Evansville, IN 47711 (US). **TENBARGE, Andrew, M.**

[US/US]; 1687 Northfield Parkway, St. Joseph, MI 49085 (US). **VONDERHAAR, John, J.** [US/US]; 3936 Michelle Drive, St. Joseph, MI 49085 (US). **WU, Guo-lian** [US/US]; 3927 Kristine Street, St. Joseph, MI 49085 (US).

(74) Agent: **DOLCE, Marcus, P.**; Price, Heneveld, Cooper, Dewitt & Litton, LLP, 695 Kenmoor, S.E., P.O. Box 2567, Grand Rapids, MI 49501-2567 (US).

(81) Designated States (unless otherwise indicated, for every kind of national protection available): AE, AG, AL, AM, AO, AT, AU, AZ, BA, BB, BG, BH, BR, BW, BY, BZ, CA, CH, CN, CO, CR, CU, CZ, DE, DK, DM, DO, DZ, EC, EE, EG, ES, FI, GB, GD, GE, GH, GM, GT, HN, HR, HU, ID, IL, IN, IS, JP, KE, KG, KM, KN, KP, KR, KZ, LA, LC, LK, LR, LS, LT, LU, LY, MA, MD, ME, MG, MK, MN, MW, MX, MY, MZ, NA, NG, NI, NO, NZ, OM, PG, PH, PL, PT, RO, RS, RU, SC, SD, SE, SG, SK, SL, SM, ST, SV, SY, TJ, TM, TN, TR, TT, TZ, UA, UG, US, UZ, VC, VN, ZA, ZM, ZW.

(84) Designated States (unless otherwise indicated, for every kind of regional protection available): ARIPO (BW, GH, GM, KE, LS, MW, MZ, NA, SD, SL, SZ, TZ, UG, ZM, ZW), Eurasian (AM, AZ, BY, KG, KZ, MD, RU, TJ, TM), European (AT, BE, BG, CH, CY, CZ, DE, DK, EE,

[Continued on next page]

(54) Title: PLENUM ON FRONT OF REFRIGERATOR/FREEZER DOOR

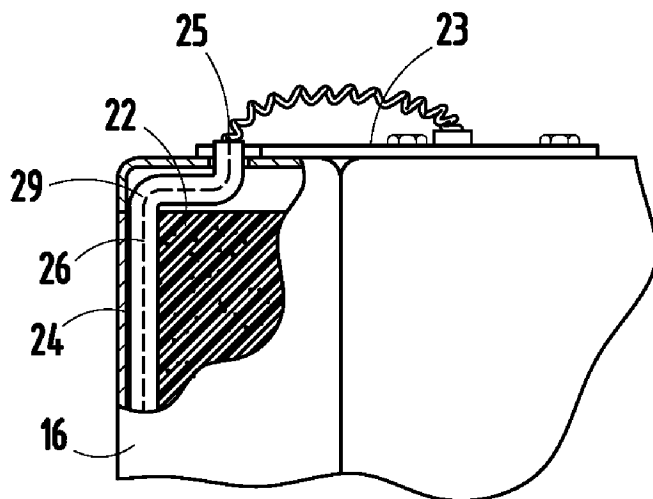


FIG. 2A

(57) Abstract: A refrigerator includes a cabinet defining an open storage space. A door is disposed on the cabinet operable between an open position and a closed position. The door includes a forward wall and a rearward wall. An insulation layer is disposed between the forward wall and the rearward wall. An exterior skin is disposed adjacent to the forward wall and substantially covers the forward wall. A plenum is defined by the space between the exterior skin and the rearward wall and is adapted to receive utility lines.

WO 2009/114706 A8



ES, FI, FR, GB, GR, HR, HU, IE, IS, IT, LT, LU, LV,
MC, MK, MT, NL, NO, PL, PT, RO, SE, SI, SK, TR),
OAPI (BF, BJ, CF, CG, CI, CM, GA, GN, GQ, GW, ML,
MR, NE, SN, TD, TG).

Published:

— *with international search report (Art. 21(3))*

(48) Date of publication of this corrected version:

18 March 2010

Declarations under Rule 4.17:

— *as to applicant's entitlement to apply for and be granted
a patent (Rule 4.17(ii))*

(15) Information about Correction:

see Notice of 18 March 2010