



US00D726182S

(12) **United States Design Patent**  
**Durham et al.**

(10) **Patent No.:** **US D726,182 S**

(45) **Date of Patent:** **\*\* Apr. 7, 2015**

(54) **ENCLOSURE FOR A PORTABLE ELECTRONIC DEVICE AND A CREDIT CARD READER**

D707,676 S \* 6/2014 Azuma ..... D14/385  
D707,677 S \* 6/2014 Azuma ..... D14/385  
D707,678 S \* 6/2014 Azuma ..... D14/385  
D709,069 S \* 7/2014 Cruz et al. .... D14/385  
D716,300 S \* 10/2014 Cruz et al. .... D14/385

(71) Applicants: **James Patrick Durham**, Westlake Village, CA (US); **John Russell Stump**, Santa Barbara, CA (US)

\* cited by examiner

(72) Inventors: **James Patrick Durham**, Westlake Village, CA (US); **John Russell Stump**, Santa Barbara, CA (US)

*Primary Examiner* — Austin Murphy

(74) *Attorney, Agent, or Firm* — QuickPatents; Kevin Prince

(\*\*) Term: **14 Years**

(57) **CLAIM**

We claim the ornamental design for an enclosure for a portable electronic device and a credit card reader, as shown and described.

(21) Appl. No.: **29/449,969**

**DESCRIPTION**

(22) Filed: **Mar. 15, 2013**

FIG. 1 is an exploded front perspective view of an enclosure for a portable electronic device and a credit card reader, showing our new design with an interchangeable cover and credit card reader exploded away from the enclosure for the portable electronic device;

(51) **LOC (10) Cl.** ..... **14-02**

(52) **U.S. Cl.**  
USPC ..... **D14/385**

FIG. 2 is a front perspective view thereof, illustrated with the credit card reader in a landscape orientation;

(58) **Field of Classification Search**  
USPC ..... D13/107, 108, 133, 146, 147, 152, 154, D13/156, 158, 162; D14/371, 373–376, D14/382, 385–387, 394, 399; D21/324, D21/329, 332, 333; D99/28, 34–36, 43; 235/375, 380, 439, 441, 451, 492; 361/600, 679.01, 679.02, 679.31

FIG. 3 is a rear perspective view of FIG. 2;

FIG. 4 is a right-side elevational view of FIG. 2;

FIG. 5 is a left-side elevational view of FIG. 2;

FIG. 6 is a bottom plan view of FIG. 2;

FIG. 7 is a top plan view of FIG. 2;

FIG. 8 is a front elevational view of FIG. 2;

FIG. 9 is a rear elevational view of FIG. 2;

FIG. 10 is a front perspective view thereof showing the credit card reader in an alternate position of use;

FIG. 11 is a rear perspective view of FIG. 10;

FIG. 12 is a front perspective view thereof, showing the credit card reader removed in a in an alternate position of use; and,

FIG. 13 is a rear perspective view of FIG. 12.

The broken lines showing internal structures of the enclosure form no part of the claimed design.

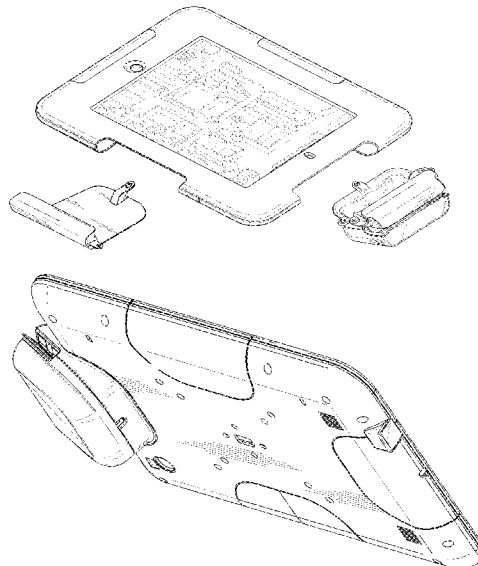
See application file for complete search history.

(56) **References Cited**

**U.S. PATENT DOCUMENTS**

D357,495 S \* 4/1995 Skaggs et al. .... D18/12.3  
D493,816 S \* 8/2004 Butler ..... D18/4.6  
D595,252 S \* 6/2009 Thorne et al. .... D14/129  
D681,639 S \* 5/2013 Cruz et al. .... D14/385  
D691,141 S \* 10/2013 Cruz ..... D14/439  
D692,885 S \* 11/2013 Cruz ..... D14/385  
D698,384 S \* 1/2014 Cruz ..... D18/4.4  
D700,602 S \* 3/2014 Chen et al. .... D14/336

**1 Claim, 11 Drawing Sheets**



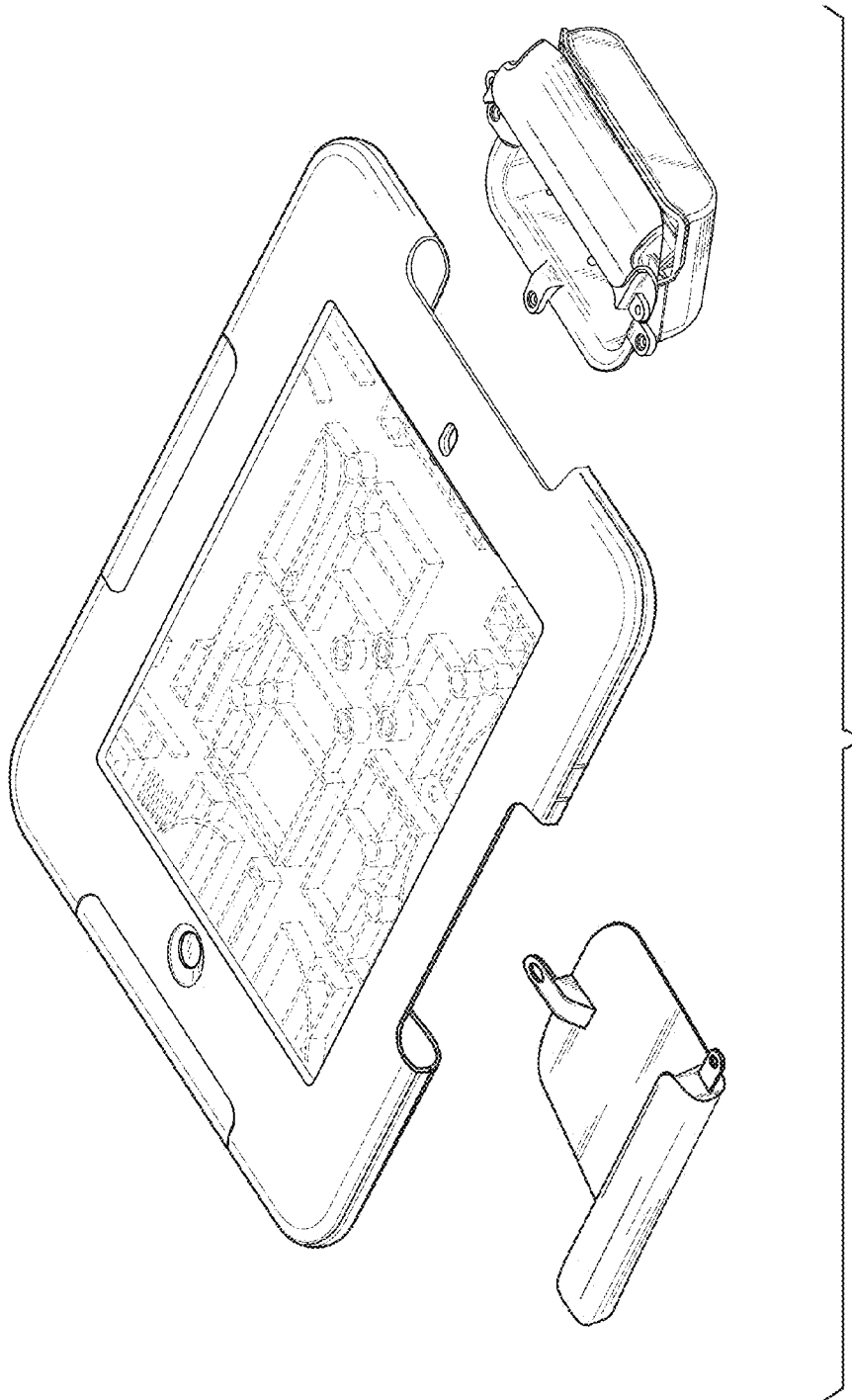


FIG. 1

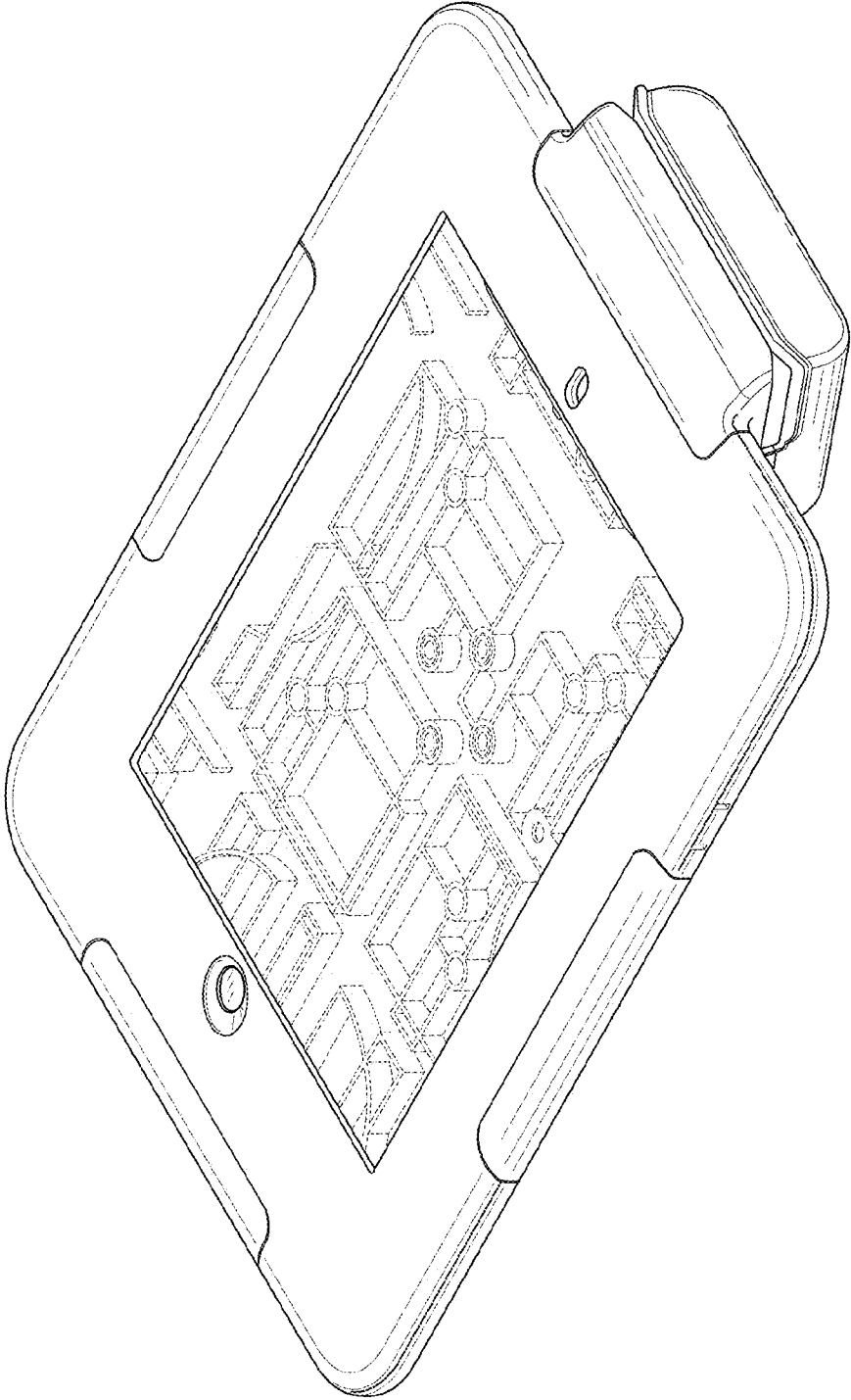


FIG. 2

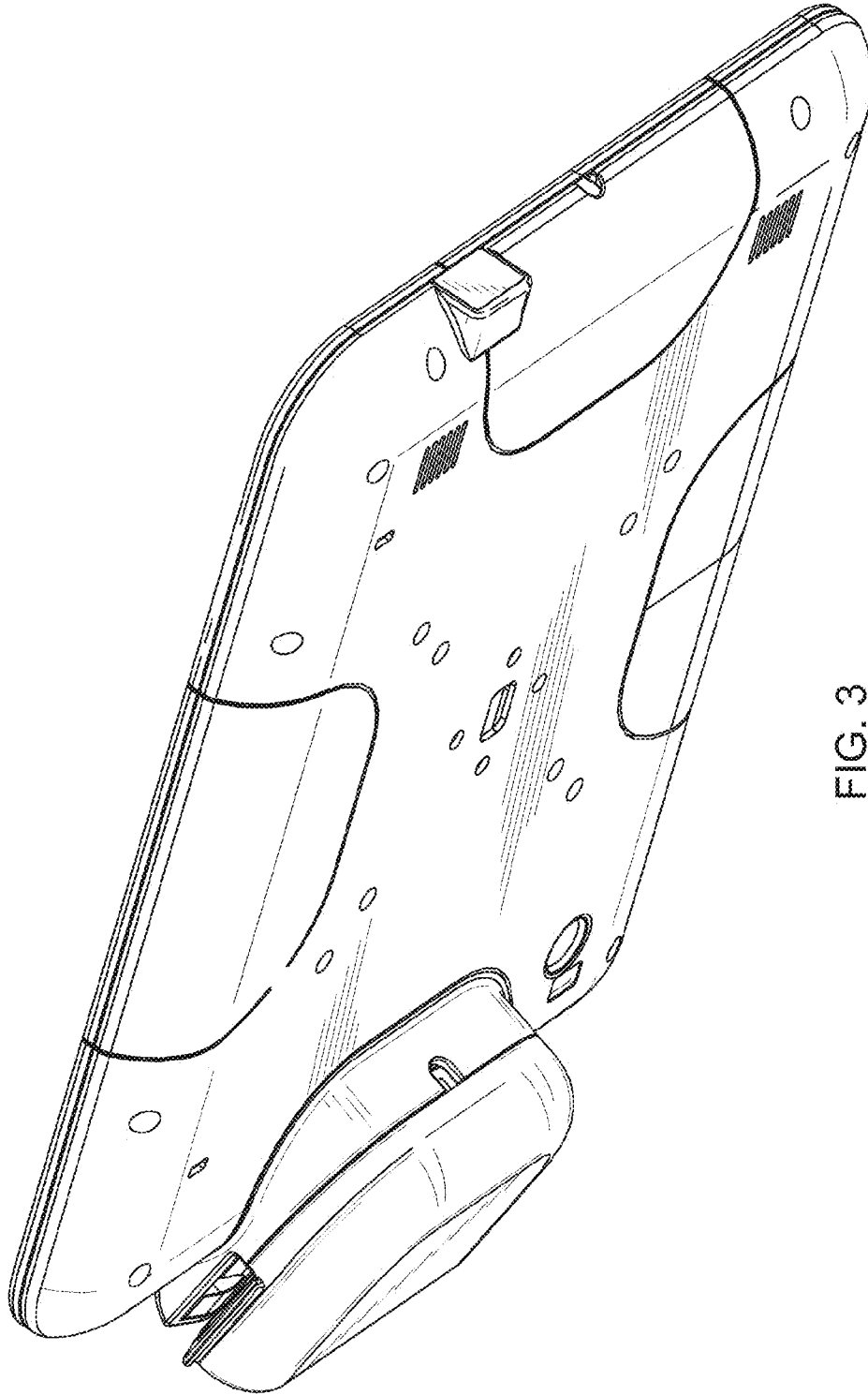


FIG. 3

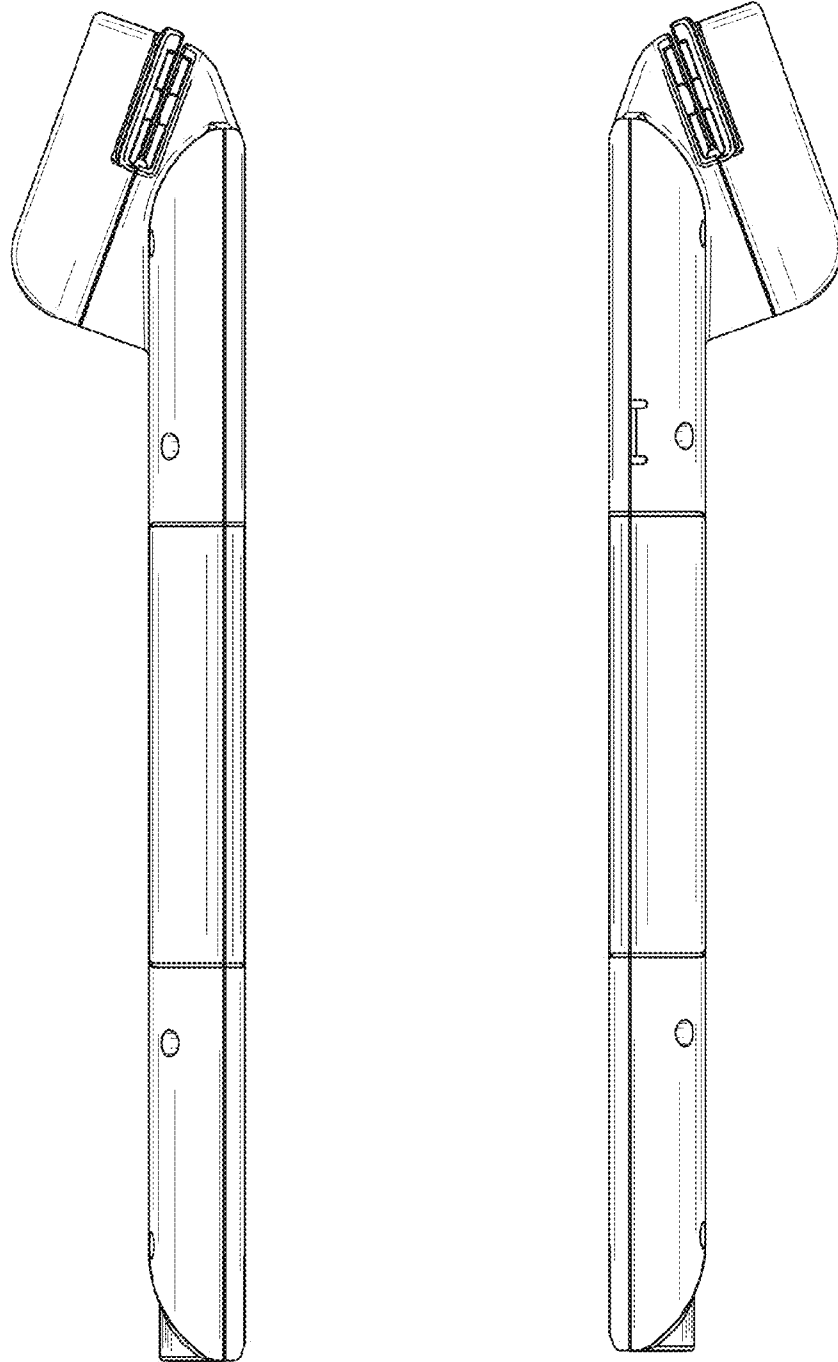


FIG. 4

FIG. 5

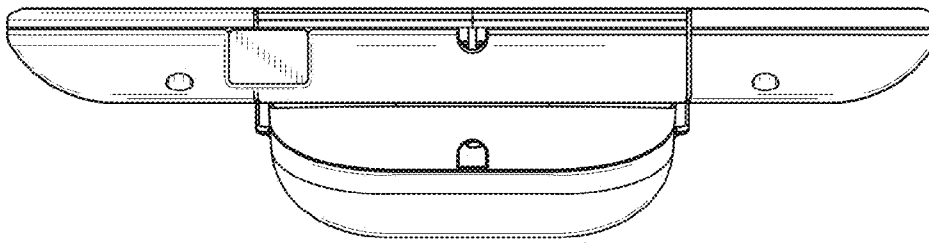


FIG. 6

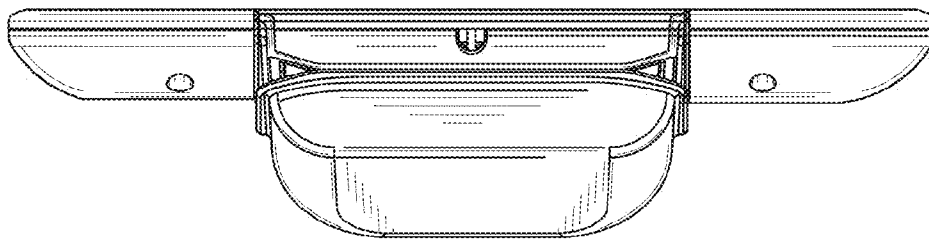


FIG. 7

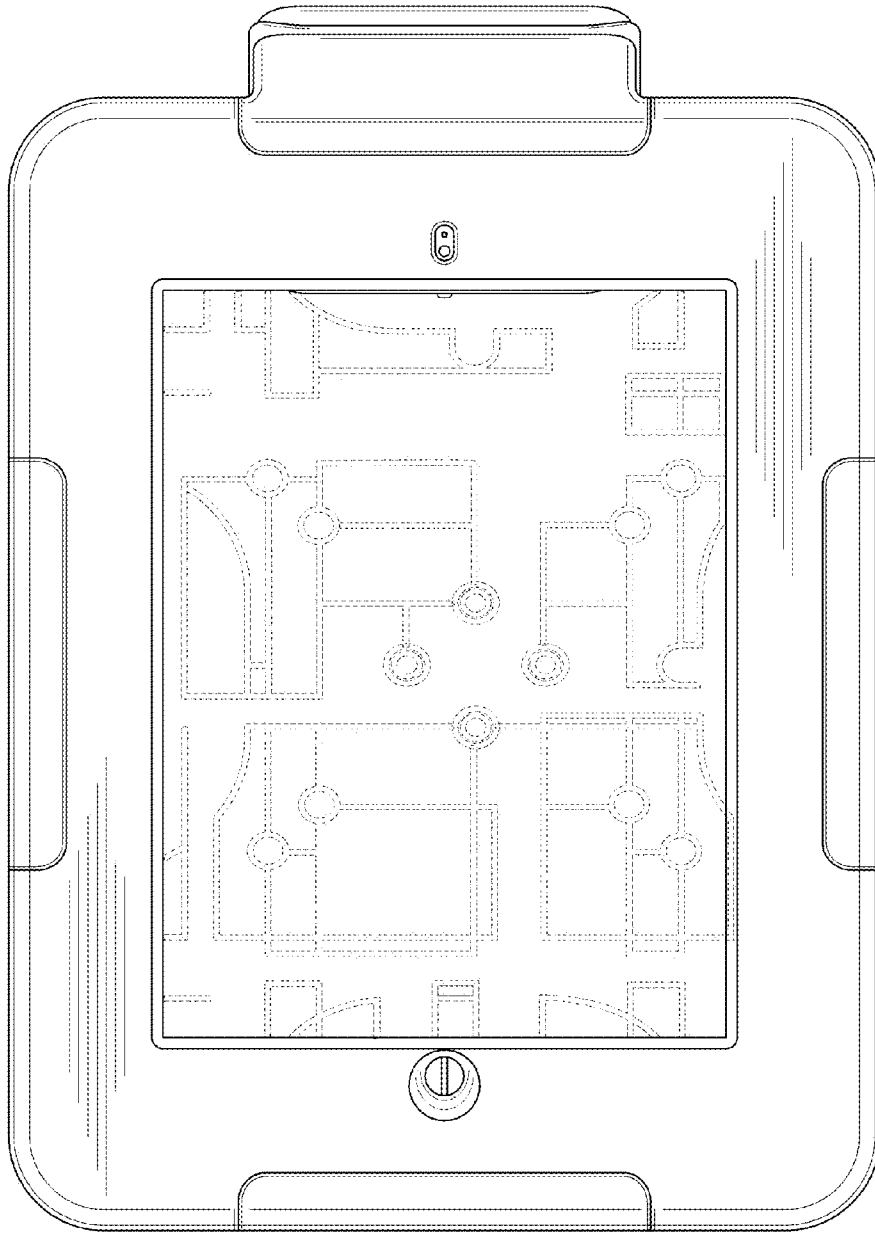


FIG. 8

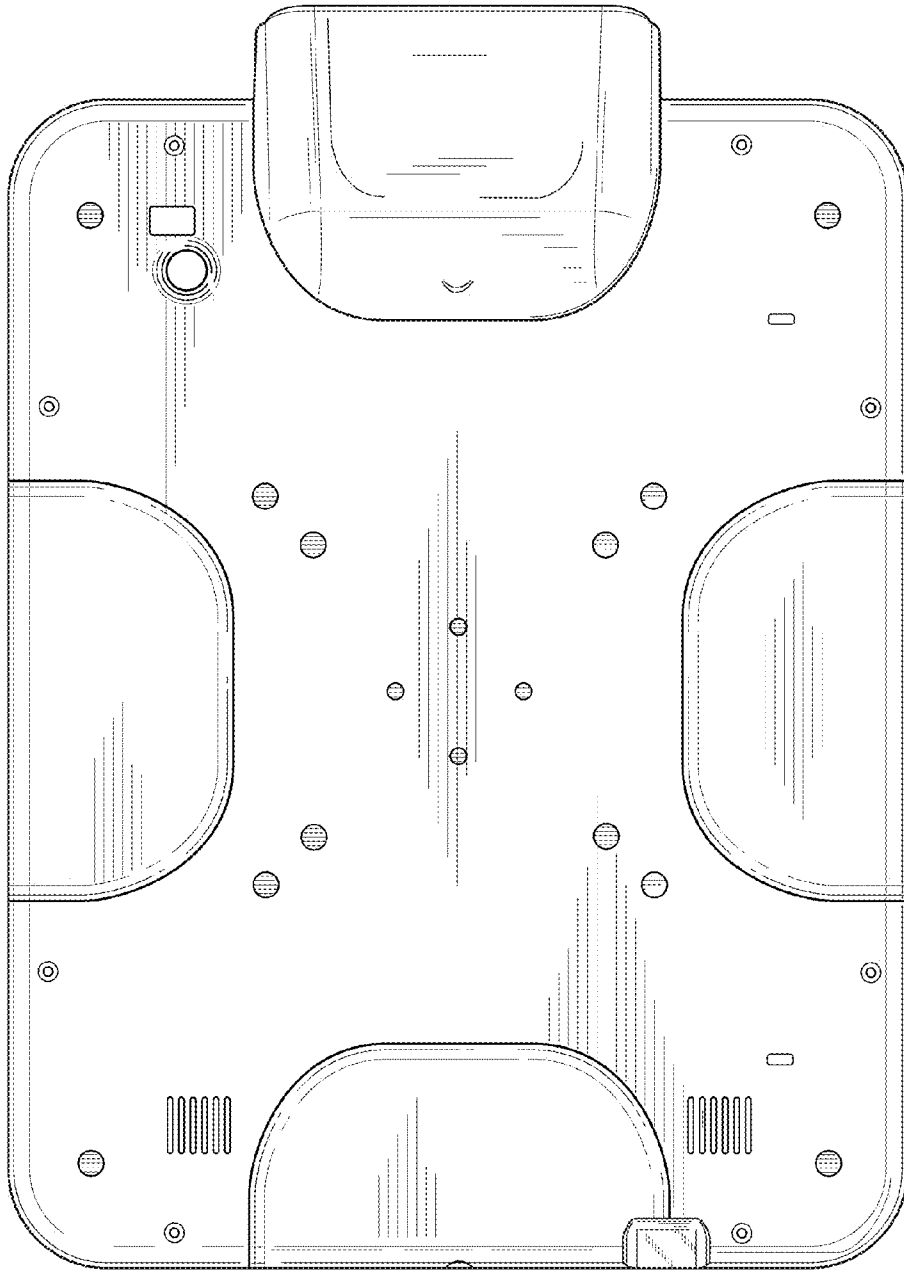


FIG. 9

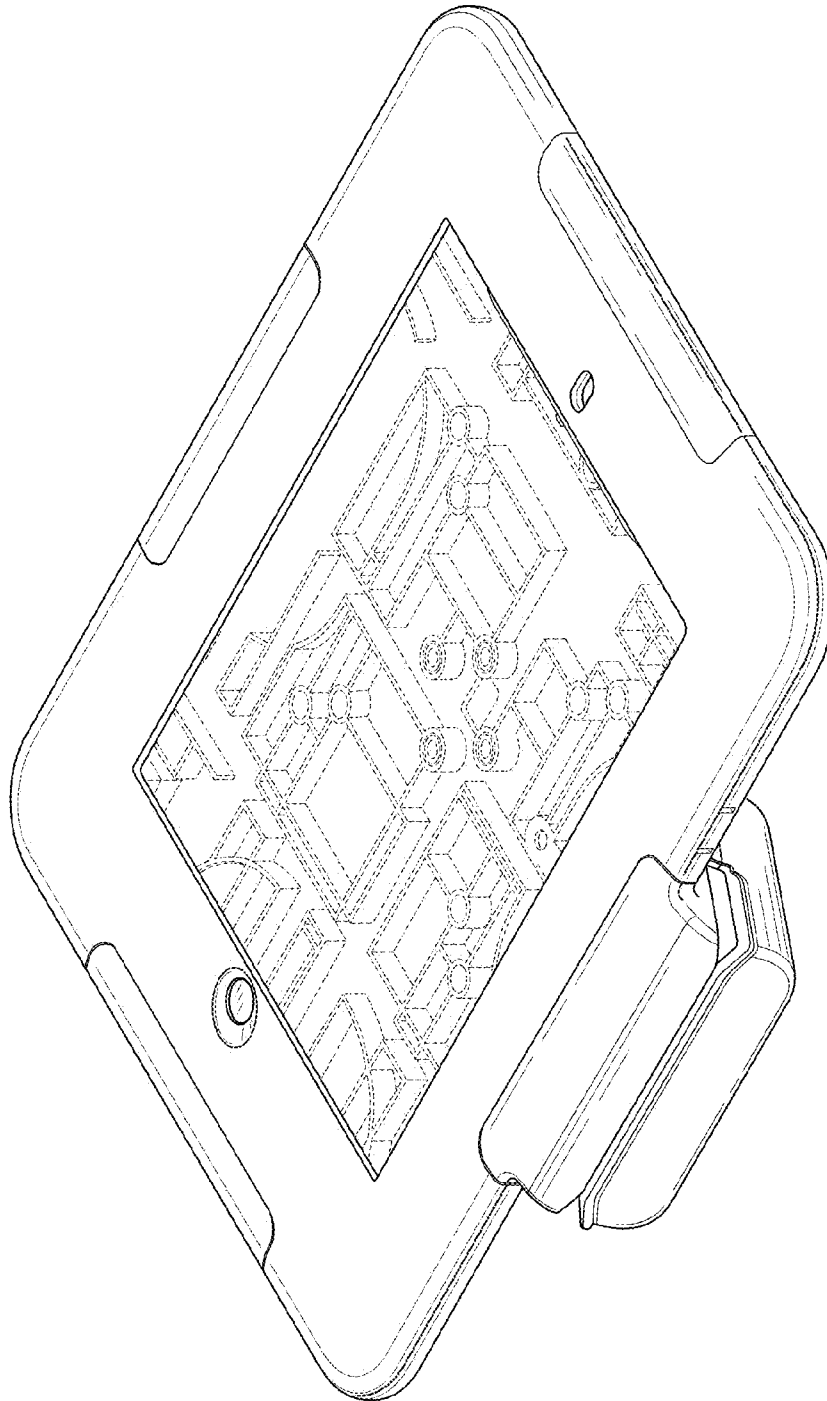


FIG. 10

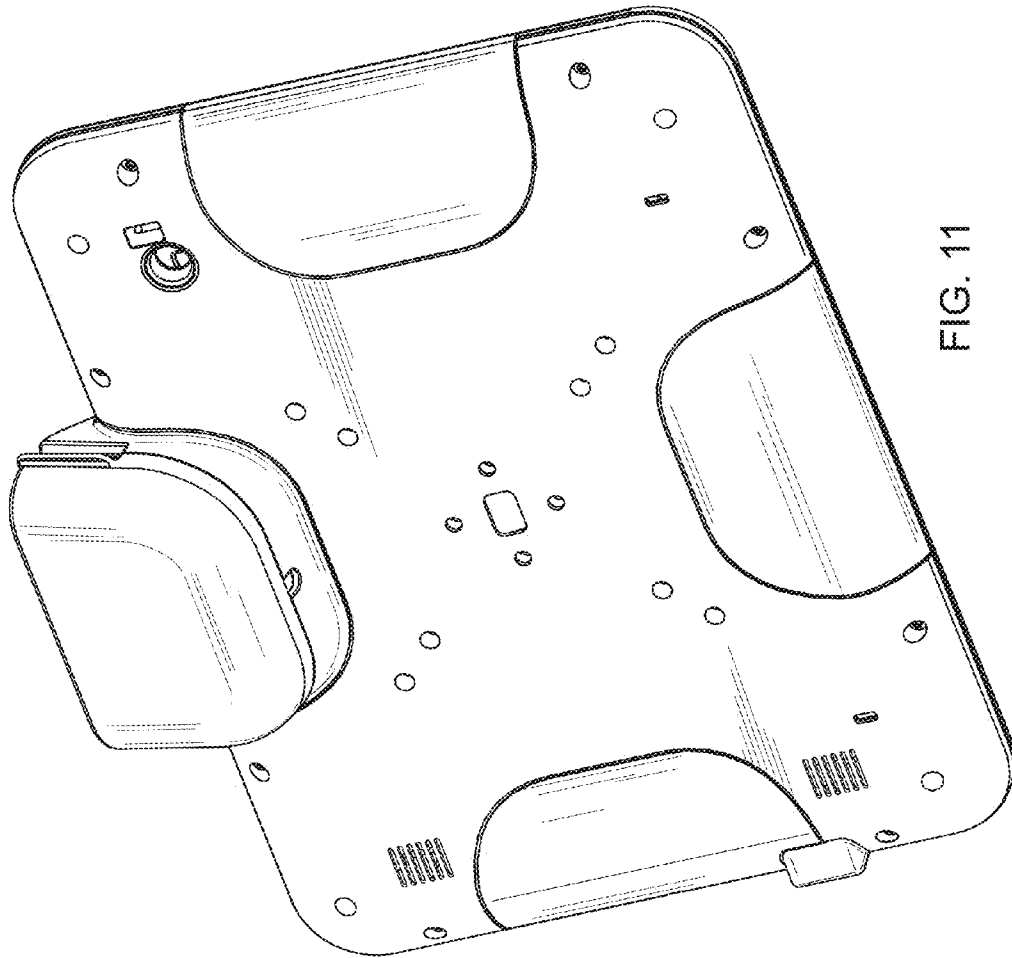


FIG. 11

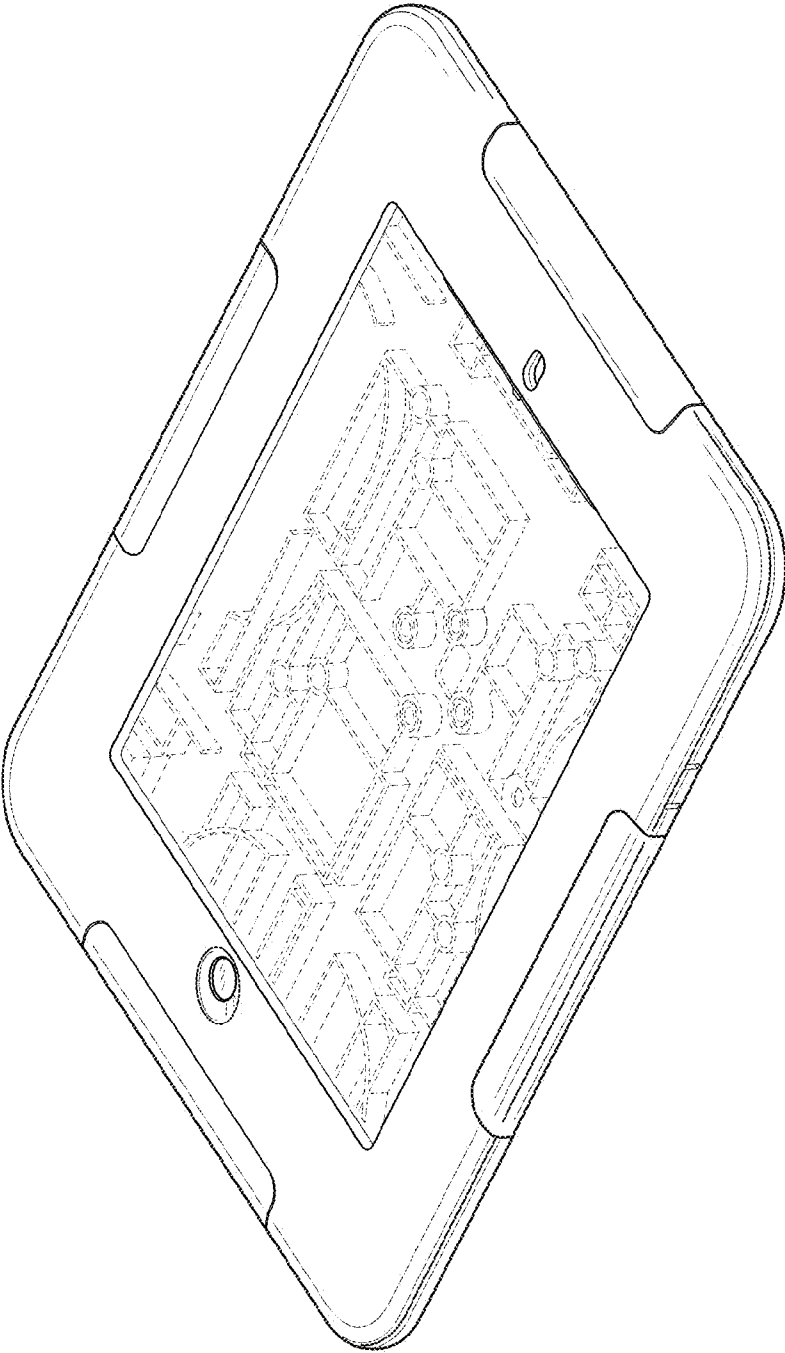


FIG. 12

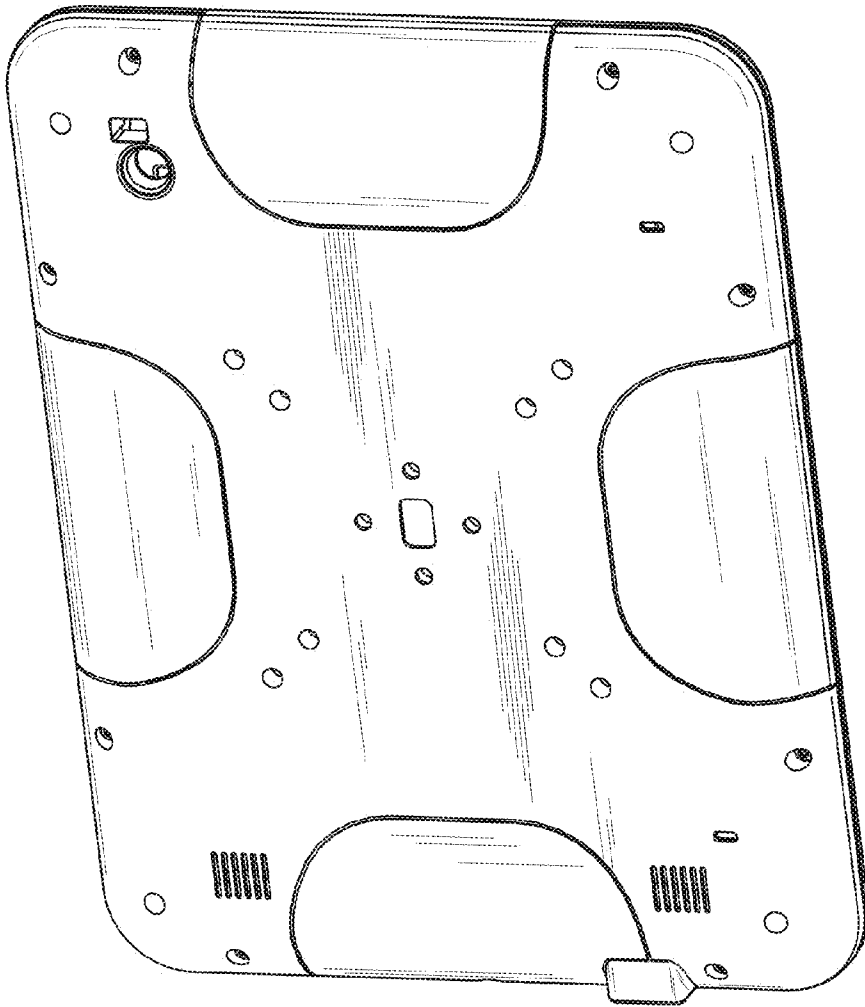


FIG. 13