



US0D1072129S

(12) **United States Design Patent**  
**Raniere et al.**

(10) **Patent No.:** **US D1,072,129 S**

(45) **Date of Patent:** **\*\* Apr. 22, 2025**

(54) **PADDLE**

(71) Applicant: **Selkirk Sport, LLC**, Coeur d'Alene, ID (US)

(72) Inventors: **Jacob Blayze Raniere**, Post Falls, ID (US); **Robert James Barnes**, Hayden, ID (US)

(73) Assignee: **Selkirk Sport, LLC**, Coeur d'Alene, ID (US)

(\*\*) Term: **15 Years**

(21) Appl. No.: **29/911,096**

(22) Filed: **Aug. 29, 2023**

(51) **LOC (15) Cl.** ..... **21-02**

(52) **U.S. Cl.**

USPC ..... **D21/731**; D21/698; D21/725; D21/729; D21/799.1; D21/799.2

(58) **Field of Classification Search**

USPC ... D21/698, 725, 729, 731, 738, 756, 799.1, D21/799.2

CPC ..... A63B 2102/08; A63B 2102/16; A63B 2102/02; A63B 2102/04; A63B 60/14; A63B 2102/00; A63B 59/45; A63B 60/06; A63B 60/40

See application file for complete search history.

(56) **References Cited**

**U.S. PATENT DOCUMENTS**

4,346,891	A *	8/1982	Epstein	.....	A63B 51/08 473/537
D999,857	S *	9/2023	Gong	.....	D21/729
D1,016,196	S *	2/2024	Barnes	.....	D21/753
D1,020,945	S *	4/2024	Barnes	.....	D21/731
D1,024,237	S *	4/2024	Luo	.....	D21/729
D1,025,257	S *	4/2024	Luo	.....	D21/729
D1,026,141	S *	5/2024	Tanoury	.....	D21/753
D1,029,158	S *	5/2024	Bird	.....	D21/753

D1,047,608	S *	10/2024	Tanoury	.....	D7/510
2017/0021248	A1 *	1/2017	Marvin	.....	A63B 59/45
2021/0252356	A1 *	8/2021	Thurman	.....	A63B 59/42
2022/0032141	A1 *	2/2022	Brents	.....	A63B 60/54

(Continued)

**FOREIGN PATENT DOCUMENTS**

EM	015052287	*	3/2024
EM	015064869	*	7/2024
EM	015070263	*	10/2024

**OTHER PUBLICATIONS**

Selkirk, 2025 SLK Omega Pickleball Paddle, published on Oct. 22, 2024 [online]. Retrieved from internet (Date: Dec. 5, 2024), <https://www.amazon.com/Selkirk-Pickleball-Fiberglass-Rev-Cor-Polymer/dp/B0CXDQL4G6/> (Year: 2024).\*

(Continued)

*Primary Examiner* — Katherine A Holbrow

*Assistant Examiner* — Riya Salil Kamat

(74) *Attorney, Agent, or Firm* — Lee & Hayes, P.C.

(57)

**CLAIM**

The ornamental design for a paddle, as shown and described.

**DESCRIPTION**

FIG. 1 is a bottom, front, right-side perspective view of a paddle;

FIG. 2 is a top, back, left-side perspective view thereof;

FIG. 3 is a front view thereof;

FIG. 4 is a back view thereof;

FIG. 5 is a left-side view thereof;

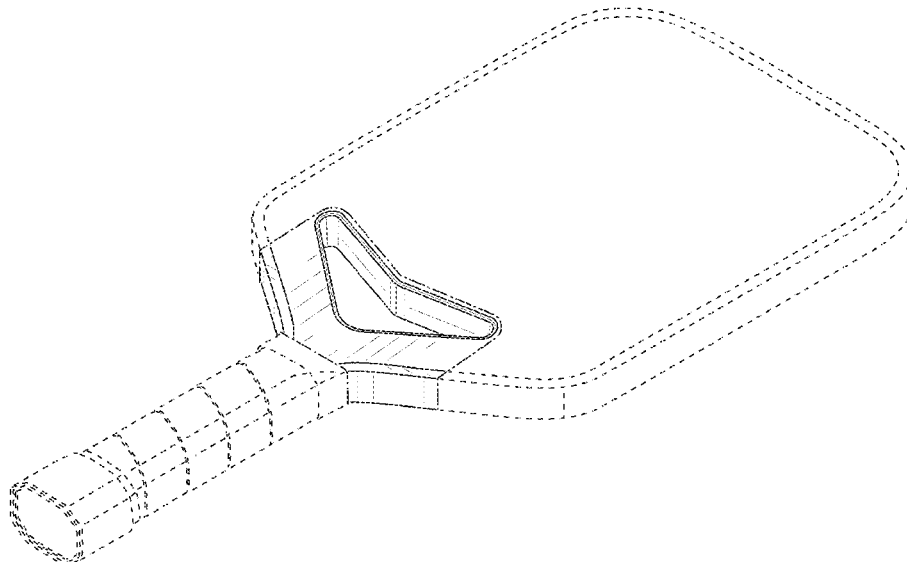
FIG. 6 is a right-side view thereof;

FIG. 7 is a top view thereof; and,

FIG. 8 is a bottom view thereof.

The dashed broken lines depict portions of the paddle that form no part of the claimed design. The dot-dashed broken lines represent boundaries of the claimed design and form no part of the claimed design.

**1 Claim, 8 Drawing Sheets**



(56)

**References Cited**

U.S. PATENT DOCUMENTS

2022/0040937 A1\* 2/2022 Simmons ..... B29C 70/68  
2023/0021178 A1\* 1/2023 Montes ..... A63B 59/42  
2023/0030014 A1\* 2/2023 Turner ..... A63B 59/42  
2023/0191215 A1\* 6/2023 Barnes ..... A63B 59/42  
473/527  
2023/0415010 A1\* 12/2023 Luo ..... A63B 59/42  
2024/0017141 A1\* 1/2024 Filippini ..... A63B 59/42  
2024/0189679 A1\* 6/2024 Davis ..... A63B 59/45  
2024/0207706 A1\* 6/2024 Navarrete ..... A63B 69/00  
2024/0299831 A1\* 9/2024 Salvino ..... A63B 71/0672

OTHER PUBLICATIONS

SLK, Omega Hybrid Air—Max, published on Dec. 5, 2024 [online].  
Retrieved from internet (Date: Dec. 5, 2024), <https://www.selkirk.com/products/slk-omega-hybrid-air?variant=41556911784038> (Year: 2024).\*

SLK, Omega Hybrid Air—XL, published on Dec. 5, 2024 [online].  
Retrieved from internet (Date: Dec. 5, 2024), <https://www.selkirk.com/products/slk-omega-hybrid-air?variant=41556911849574> (Year: 2024).\*

\* cited by examiner

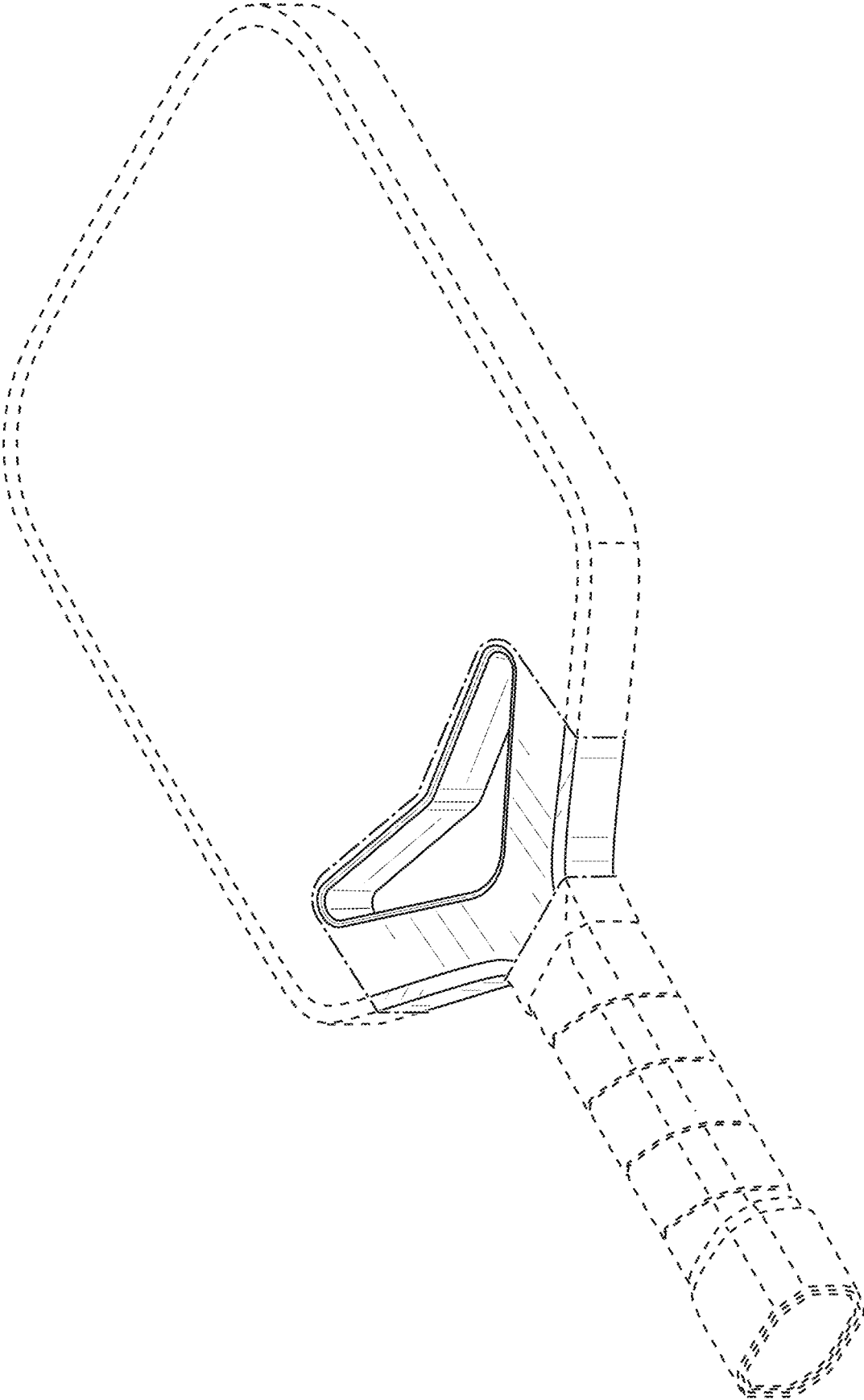
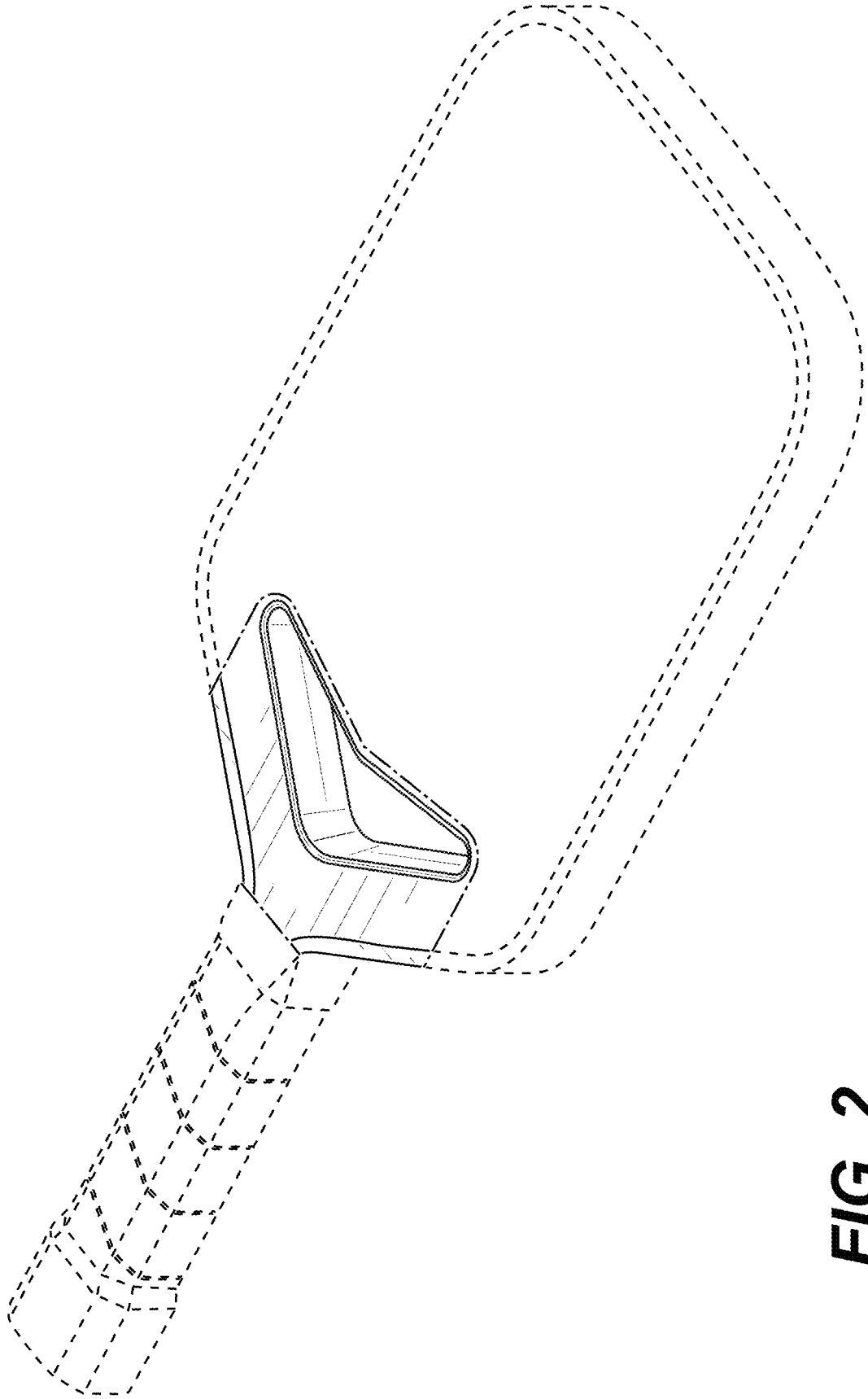
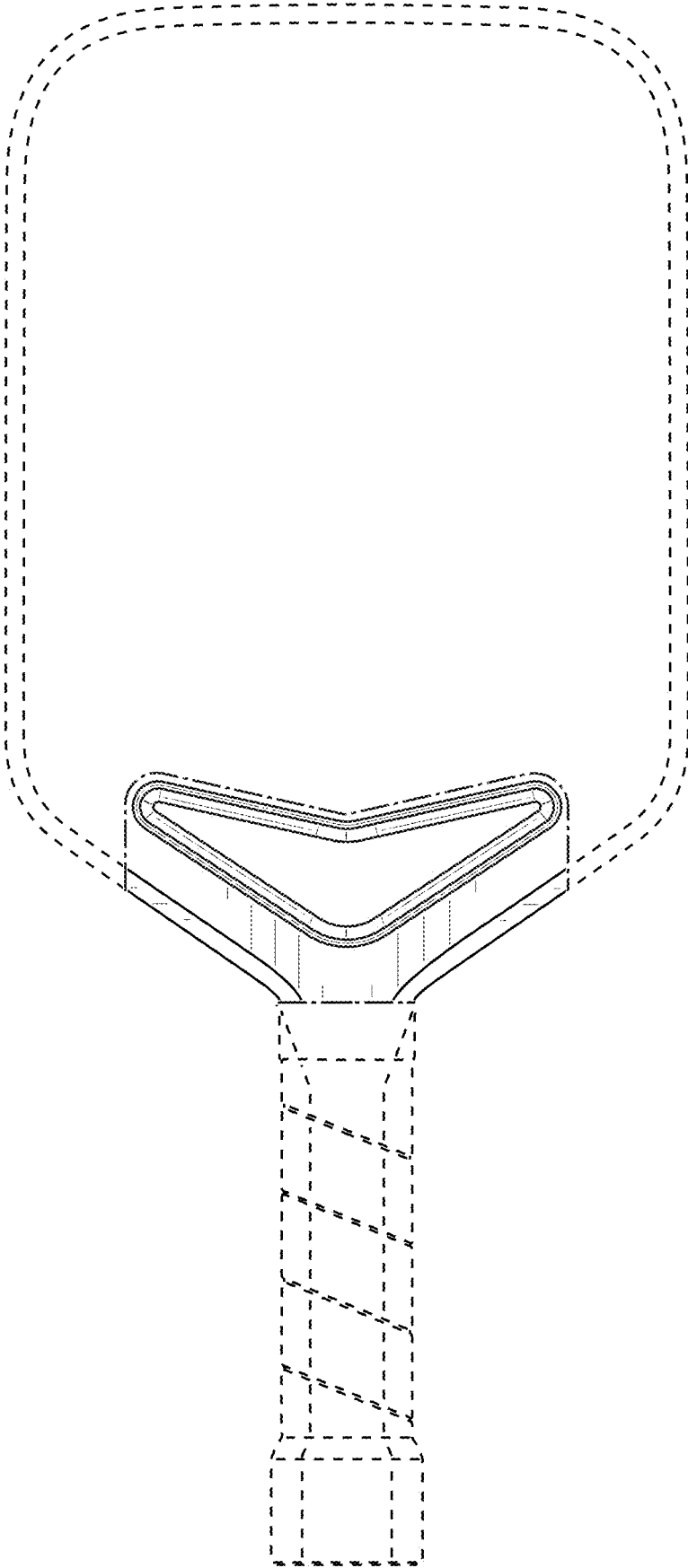


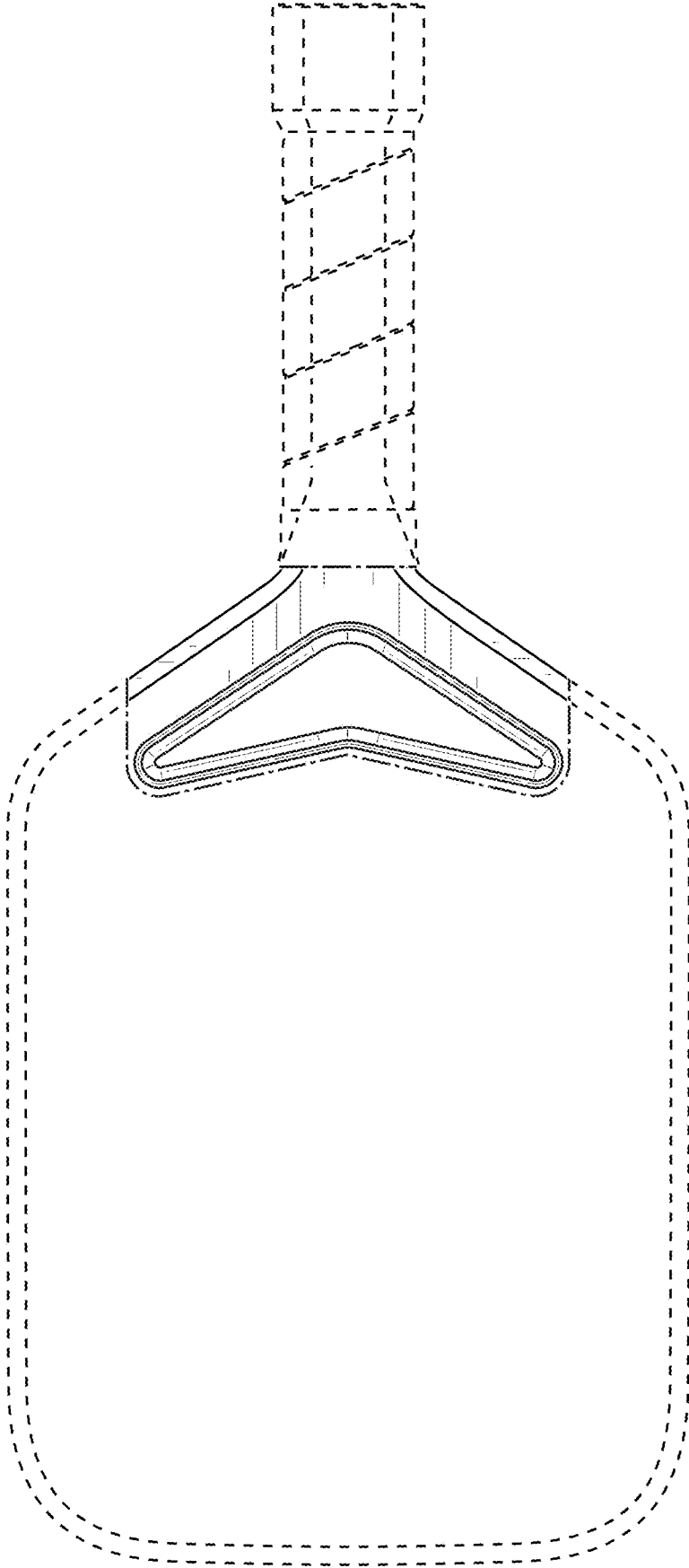
FIG. 1



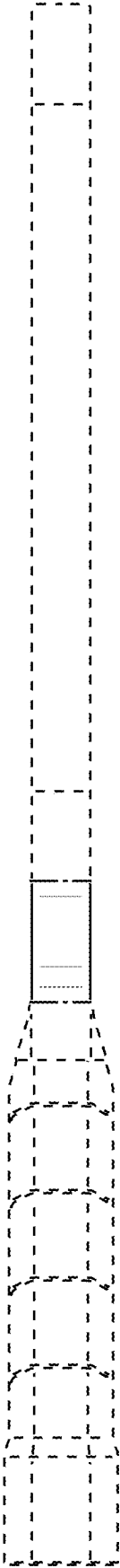
**FIG. 2**



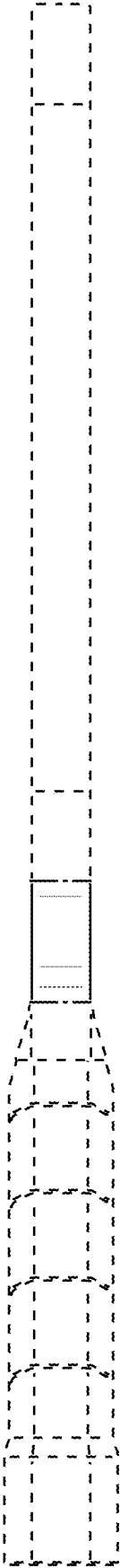
**FIG. 3**



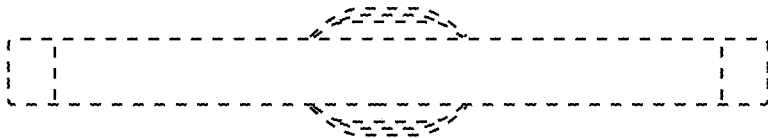
**FIG. 4**



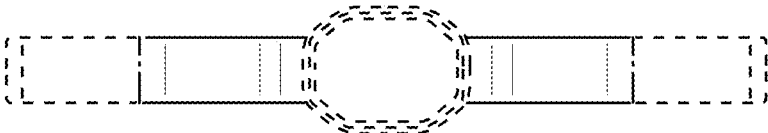
**FIG. 5**



**FIG. 6**



**FIG. 7**



**FIG. 8**