

# United States Patent [19]

Utas-Sjöberg

[11] Patent Number: Des. 311,064

[45] Date of Patent: \*\* Oct. 2, 1990

[54] CATHETER PACKAGE

[75] Inventor: Jan M. R. Utas-Sjöberg, Mölndal, Sweden

[73] Assignee: Astra Meditec Aktiebolag, Mölndal, Sweden

[\*\*] Term: 14 Years

[21] Appl. No.: 10,141

[22] Filed: Feb. 2, 1987

[30] Foreign Application Priority Data

Aug. 11, 1986 [SE] Sweden ..... 861827

[52] U.S. Cl. .... D24/54

[58] Field of Search ..... D24/54; 206/364, 571, 206/572, 438, 484; 604/171, 172, 199

[56] References Cited

U.S. PATENT DOCUMENTS

D. 236,325 8/1975 Miller ..... D24/54 X

3,750,875 8/1973 Juster ..... 604/172 X  
3,967,728 7/1976 Gordon et al. .... 206/364  
4,091,922 5/1978 Egler ..... 604/171 X

Primary Examiner—A. Hugo Word  
Assistant Examiner—Stella M. Reid  
Attorney, Agent, or Firm—White & Case

[57] CLAIM

The ornamental design for a catheter package, as shown.

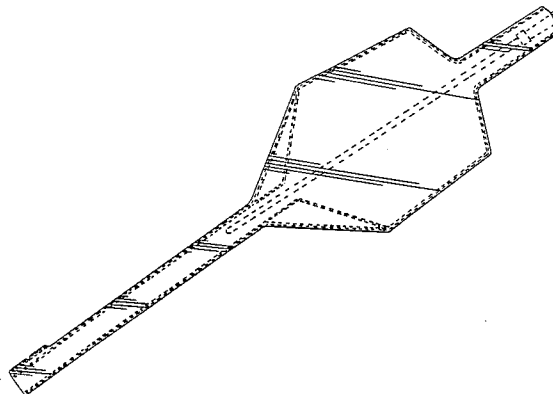
## DESCRIPTION

FIG. 1 is an elevational view of a catheter package, showing my new design, the opposite side elevational view being identical thereto and a catheter being shown in broken lines for illustrative purposes only and forming no part of the claimed design;

FIG. 2 is an elevational view thereof, with the catheter removed; and

FIG. 3 is an edge view.

The broken lines along the periphery of the claimed invention in FIGS. 1 and 2 are seams.



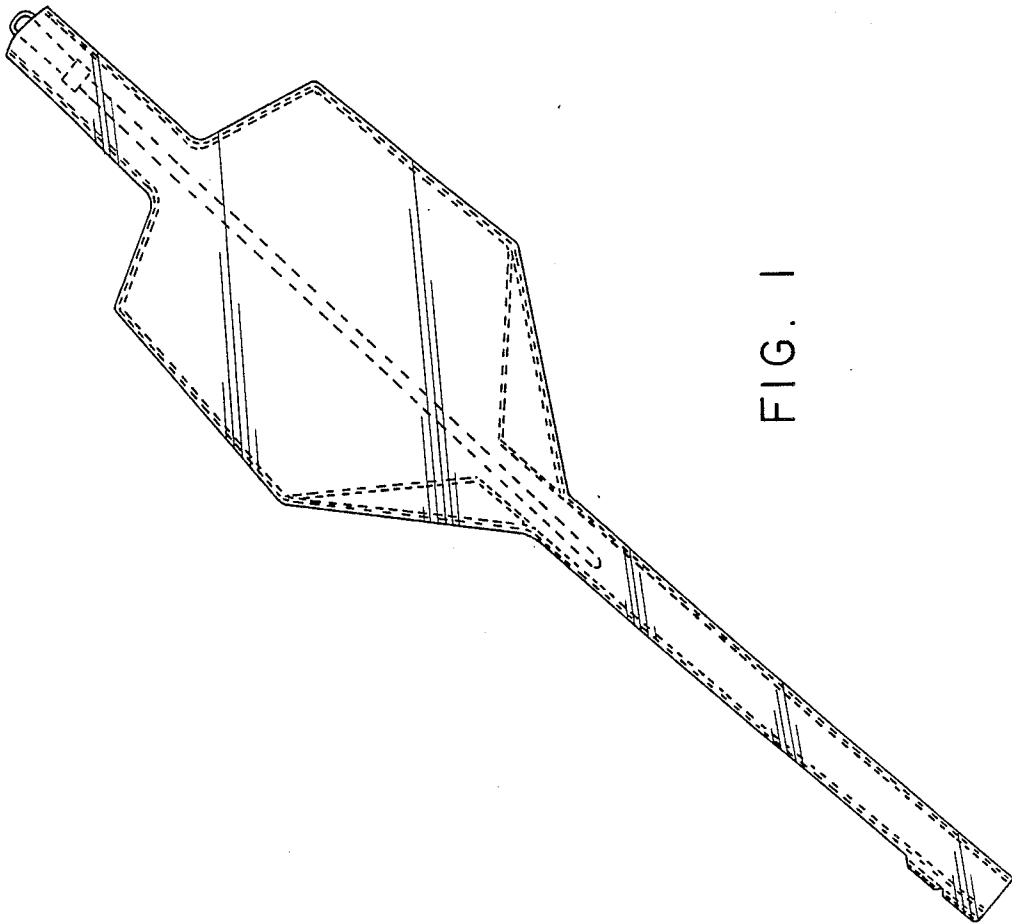


FIG. 1

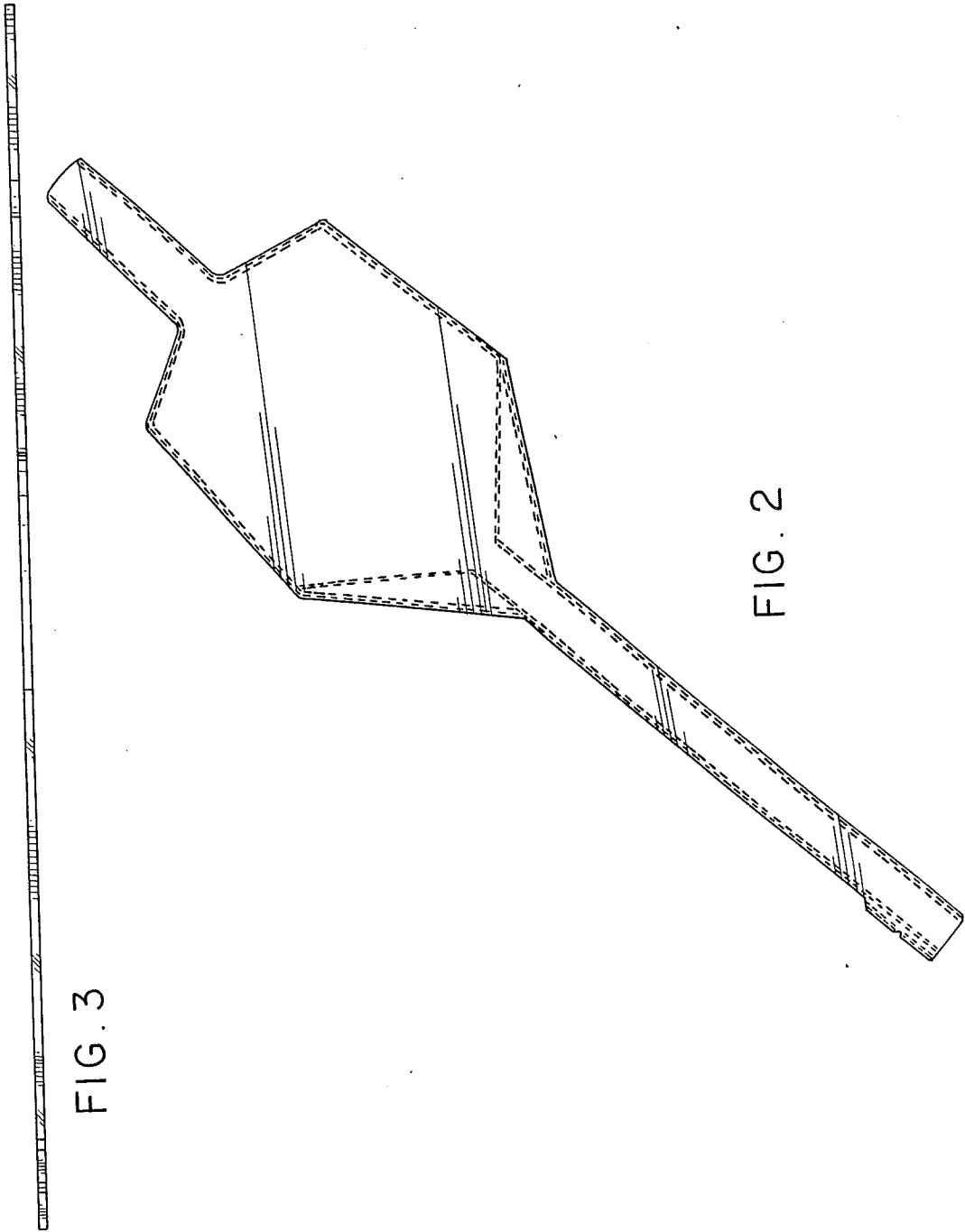


FIG. 3

FIG. 2