



US00D889443S

(12) **United States Design Patent**
Renwick

(10) **Patent No.:** **US D889,443 S**

(45) **Date of Patent:** **** Jul. 7, 2020**

(54) **MICROPHONE APPARATUS**

FOREIGN PATENT DOCUMENTS

(71) Applicant: **Logitech Europe S.A**, Lausanne (CH)

EM 006594065-0001 * 6/2019

(72) Inventor: **James Edward Renwick**, Portland, OR (US)

Primary Examiner — Paula Allen Greene
(74) *Attorney, Agent, or Firm* — Patterson & Sheridan, LLP

(73) Assignee: **LOGITECH EUROPE S.A.**, Lausanne (CH)

(**) Term: **15 Years**

(57) **CLAIM**

The ornamental design of a microphone apparatus, as shown and described.

(21) Appl. No.: **29/675,231**

(22) Filed: **Dec. 28, 2018**

(51) **LOC (12) Cl.** **14-01**

(52) **U.S. Cl.**

USPC **D14/229**

(58) **Field of Classification Search**

USPC D14/229, 225, 228, 432; D17/99;
D8/394, 373, 382, 395; D6/682, 552,
D6/392; 181/242; 379/451, 431, 433,
379/438, 424; 381/363, 359, 368, 361,
381/412, 386, 169, 168, 189, 355, 362;
84/421; 248/604, 634, 312.1, 311.2,
248/231.81, 301, 314; 455/90.3, 575.1,
455/569.1; 211/89.01, 69.8
CPC H04R 25/00; H04R 9/08; H04R 11/04;
H04R 17/02; H04R 19/04; H04R 1/02;
H04R 9/04; F16M 13/02; G10D 9/00;
G10D 13/02; H04M 1/04; A47F 5/00;
B65D 25/00

See application file for complete search history.

DESCRIPTION

FIG. 1 is a top front right side perspective view of a microphone apparatus according to our design; FIG. 2 is a top rear left side perspective view of the microphone apparatus shown in FIG. 1; FIG. 3 is a bottom front left side perspective view of the microphone apparatus shown in FIG. 1; FIG. 4 is a bottom rear right side perspective view of the microphone apparatus shown in FIG. 1; FIG. 5 is a front side view of the microphone apparatus shown in FIG. 1; FIG. 6 is a left side view of the microphone apparatus shown in FIG. 1; and FIG. 7 is a rear side view of the microphone apparatus shown in FIG. 1; and FIG. 8 is a right side view of the microphone apparatus shown in FIG. 1; and FIG. 9 is a top view of the microphone apparatus shown in FIG. 1; and FIG. 10 is a bottom view of the microphone apparatus shown in FIG. 1; and FIG. 11 is a sectional view of the microphone apparatus taken along line 11-11 of FIG. 8. The dashed lines shown in the various figures are provided for the purpose of illustrating unclaimed portions of the microphone apparatus, and form no part of the claimed design.

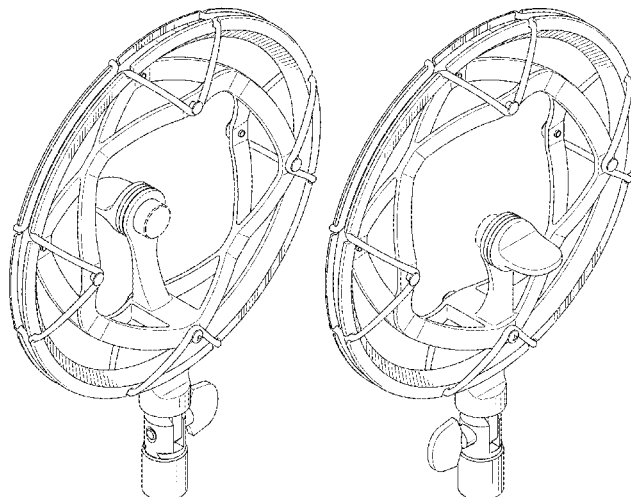
(56) **References Cited**

U.S. PATENT DOCUMENTS

1,682,409 A * 8/1928 Nyman H04R 1/08
381/352
1,805,362 A * 5/1931 Ellis H04R 1/08
381/368
2,017,122 A * 10/1935 Hanson H04R 1/342
381/160

(Continued)

1 Claim, 10 Drawing Sheets



(56)

References Cited

U.S. PATENT DOCUMENTS

D100,928 S *	8/1936	Shure	D14/229	6,459,802 B1 *	10/2002	Young	H04R 1/083
3,592,422 A *	7/1971	Paine	F16F 15/067					381/361
				248/589	6,487,298 B1 *	11/2002	Hacker	H04R 1/08
3,924,083 A *	12/1975	Hagey	H04R 1/08					181/199
4,126,827 A *	11/1978	Negrini	H04R 1/08	D475,038 S *	5/2003	Jarodsky	D14/228
				200/61.54	D475,039 S *	5/2003	Thornton	D14/228
4,194,096 A *	3/1980	Ramsey	H04R 1/08	D475,876 S *	6/2003	Chen	D6/545
				381/363	D483,028 S *	12/2003	Morrow, Jr.	D14/225
4,396,807 A *	8/1983	Brewer	H04R 1/08	6,671,382 B2 *	12/2003	Chen	H01R 35/02
				248/604					381/189
4,514,598 A *	4/1985	Plice	H04R 1/08	6,682,043 B1 *	1/2004	Hsieh	H04R 1/083
				248/104					248/618
D296,099 S *	6/1988	Kubota	D14/227	6,922,475 B2 *	7/2005	Hsieh	H04R 1/08
4,760,984 A *	8/1988	Hennessey	F16B 21/16					381/361
				248/121	D540,786 S *	4/2007	Hensen	D14/228
D302,158 S *	7/1989	Kubota	D14/225	D549,209 S *	8/2007	Bauman	D14/155
D305,026 S *	12/1989	Wolf	D14/229	D579,928 S *	11/2008	Murata	D14/229
4,991,220 A *	2/1991	Wolf	H04R 1/08	D618,222 S *	6/2010	Kallas	D14/229
				381/361	8,191,678 B2 *	6/2012	Zou	H04R 1/342
5,154,381 A *	10/1992	Malinao	F16M 11/10					181/284
				248/121	8,345,911 B2 *	1/2013	Fulks	F16M 11/10
5,444,790 A *	8/1995	Kogen	H04R 1/086					381/361
				381/189	D705,761 S *	5/2014	McGovern, Jr.	D14/229
5,529,277 A *	6/1996	Ostaszewski	F16C 11/12	D706,245 S *	6/2014	McGovern, Jr.	D14/229
				248/398	D707,662 S *	6/2014	Okita	D14/229
5,675,660 A *	10/1997	Townsend	H04R 1/086	8,783,636 B2 *	7/2014	Okita	F16M 11/041
				381/189					24/303
D412,708 S *	8/1999	Okon	D14/228	D736,189 S *	8/2015	Cooper	D14/229
6,072,887 A *	6/2000	Wei	H04R 11/00	D772,205 S *	11/2016	Sunwoo	D14/229
				379/433.02	D791,742 S *	7/2017	Lai	D14/225
D430,864 S *	9/2000	Chung	D14/228	D823,283 S *	7/2018	Sunwoo	D14/229
D431,554 S *	10/2000	Chung	D14/228	D834,568 S *	11/2018	Pooley	D14/229
6,219,429 B1 *	4/2001	Chung	H04R 1/08	2003/0035561 A1 *	2/2003	Hsieh	H04R 1/08
				248/324					381/361
D441,354 S *	5/2001	Jing	D14/228	2007/0195983 A1 *	8/2007	Klemme	H04R 9/08
D448,364 S *	9/2001	Chung	D14/228					381/362
					2010/0239113 A1 *	9/2010	Browne	H04R 1/08
									381/361
					2013/0062479 A1 *	3/2013	Okita	F16M 11/041
									248/176.1

* cited by examiner

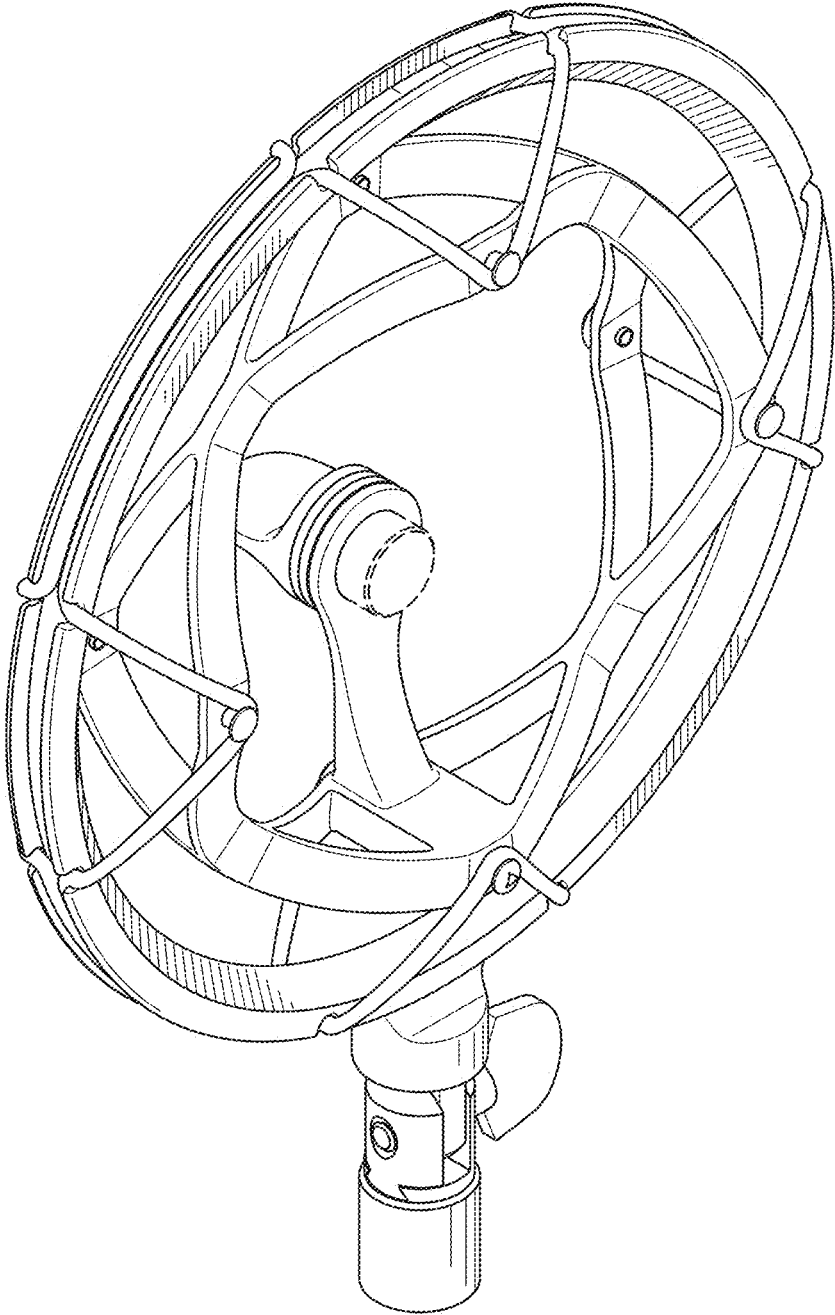


Fig. 1

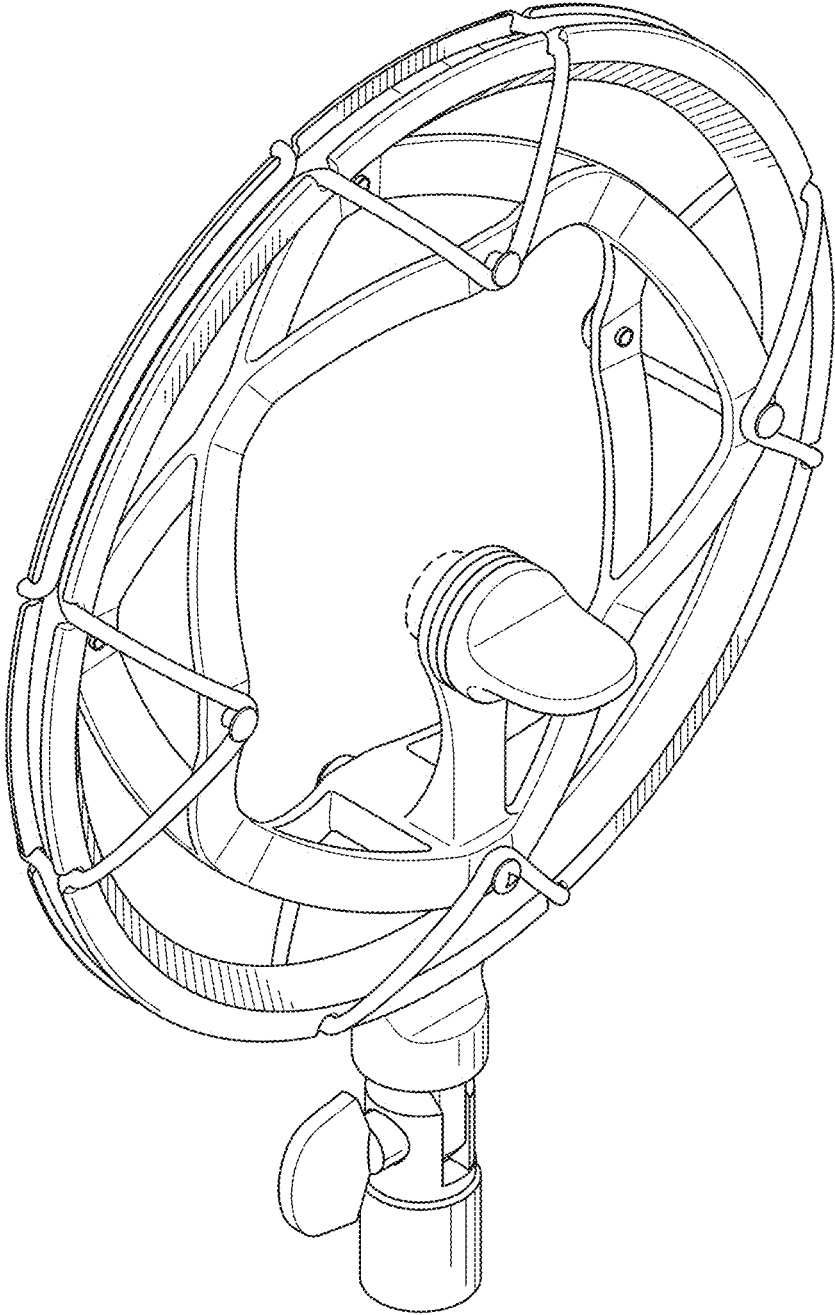


Fig. 2

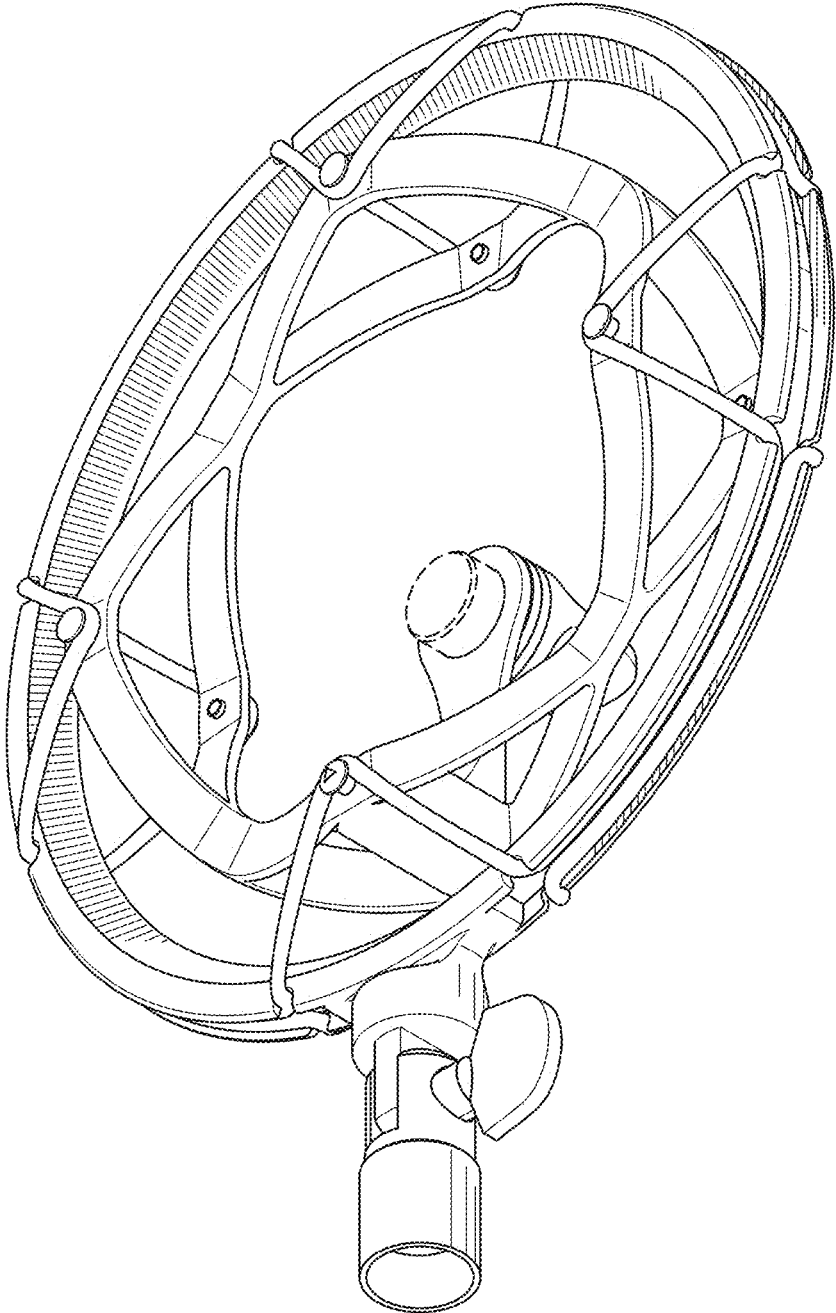


Fig. 3

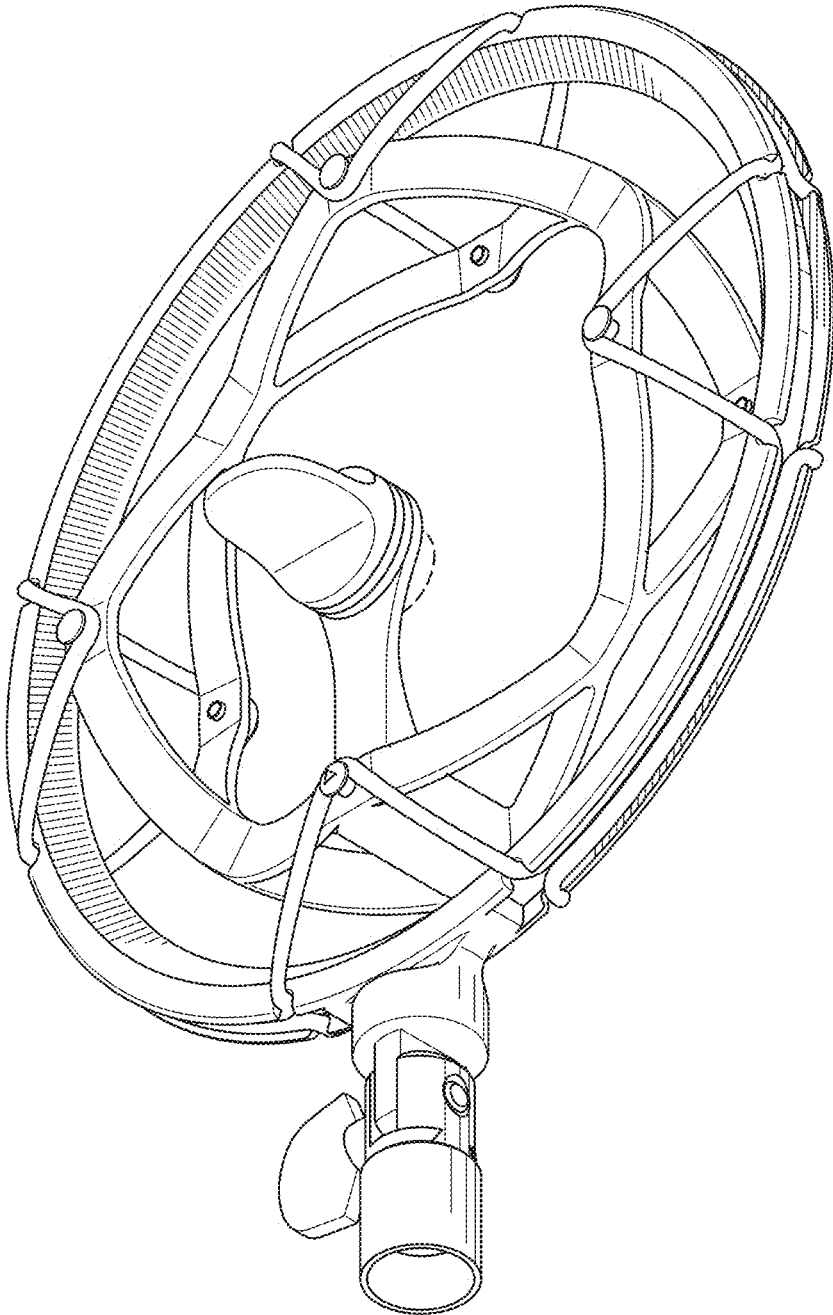


Fig. 4

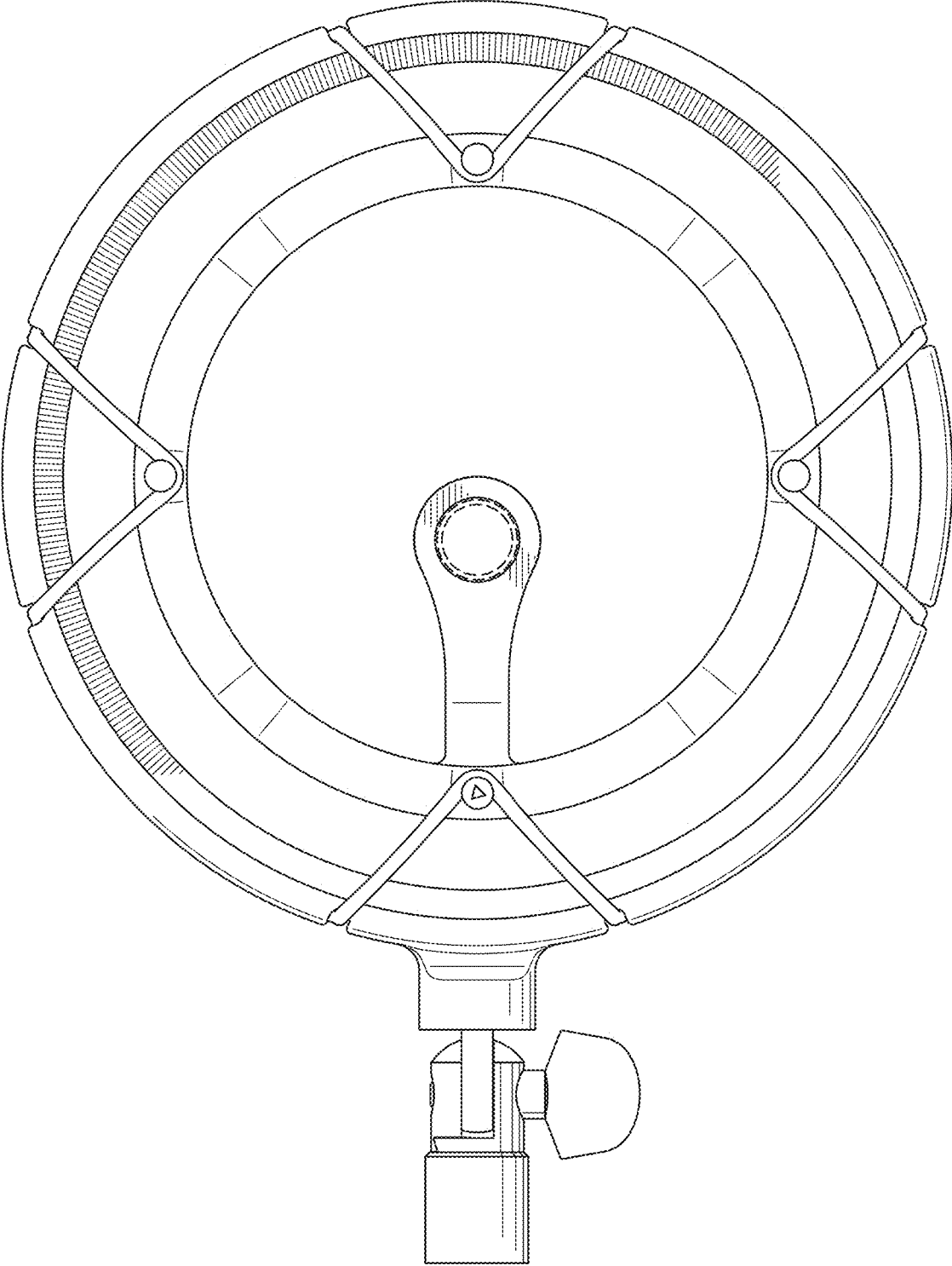


Fig. 5

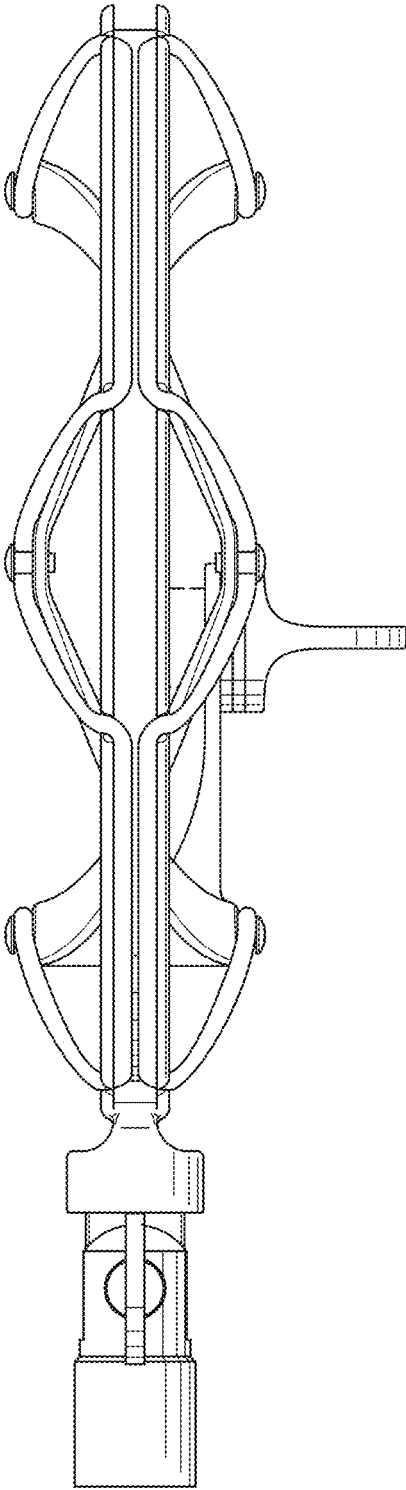


Fig. 6

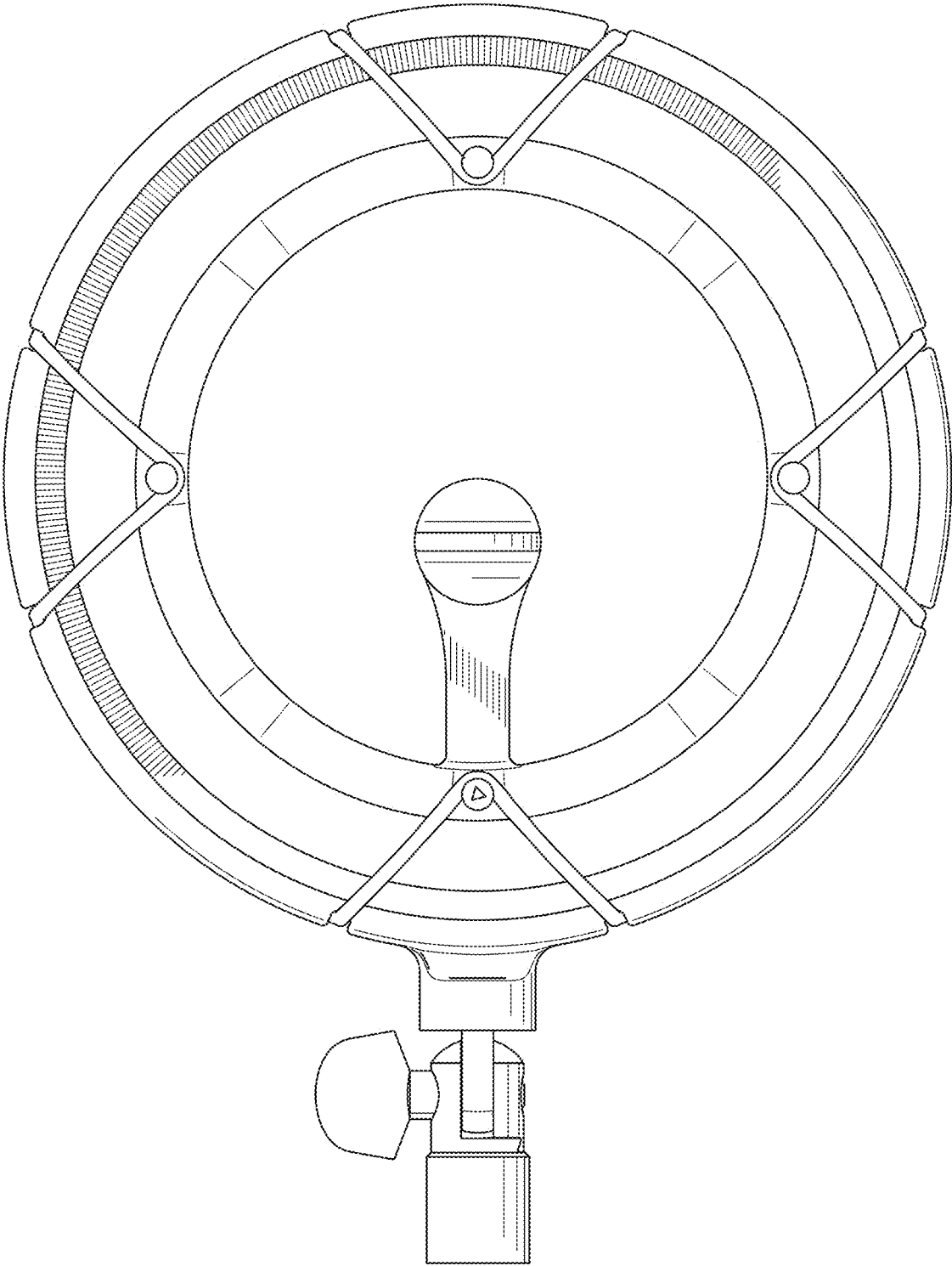


Fig. 7

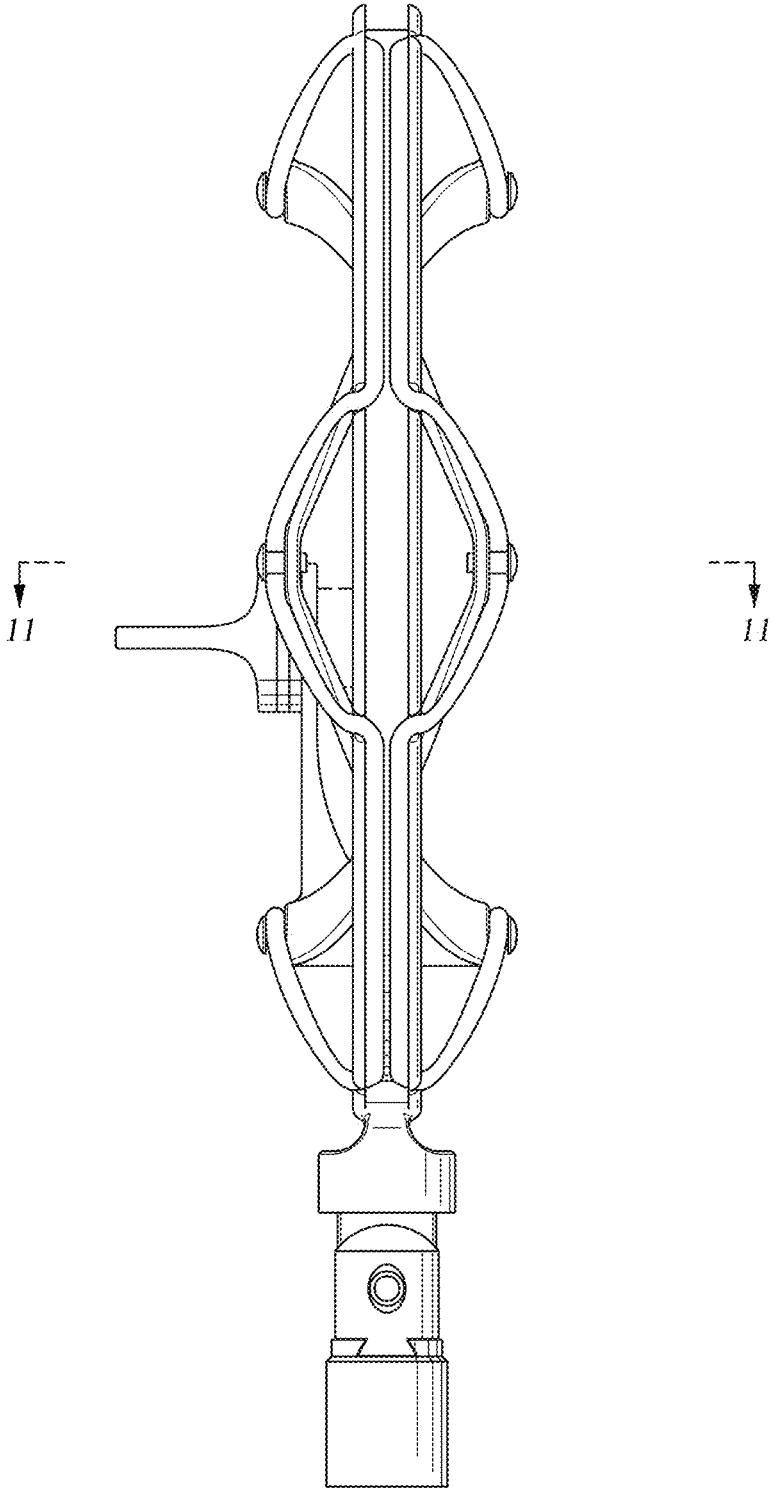


Fig. 8

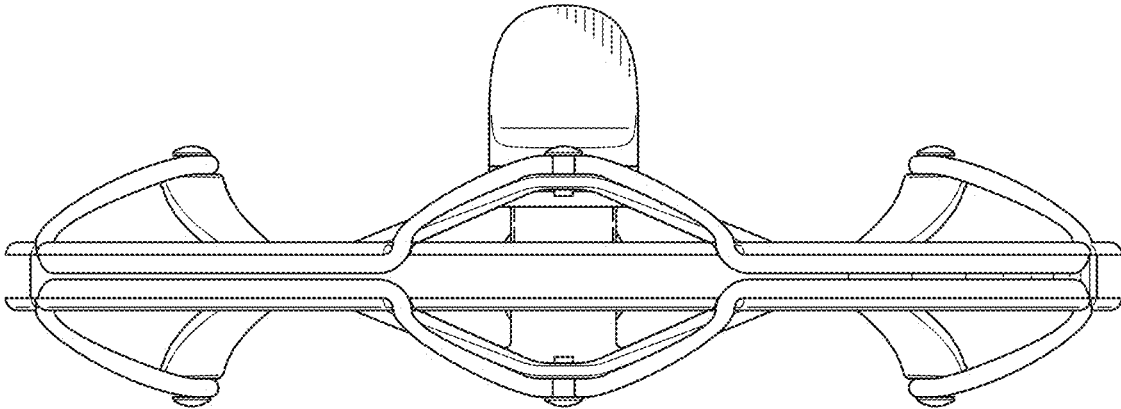


Fig. 9

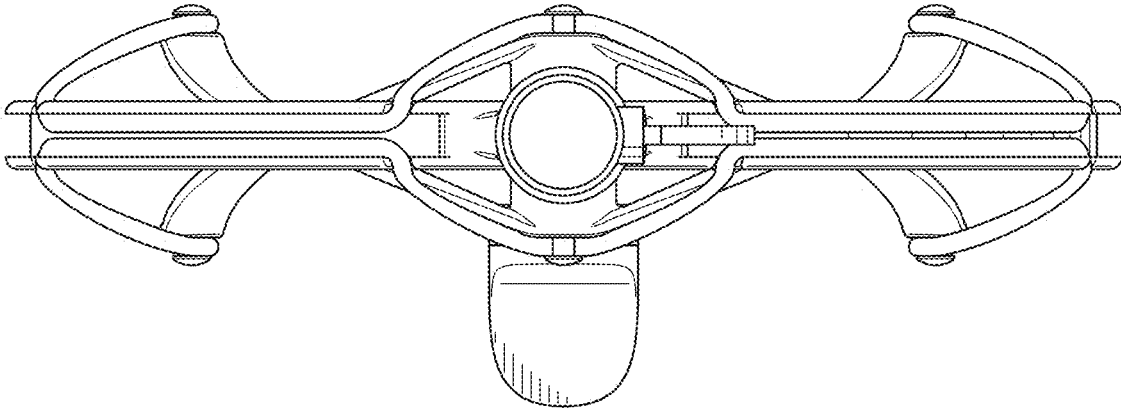


Fig. 10

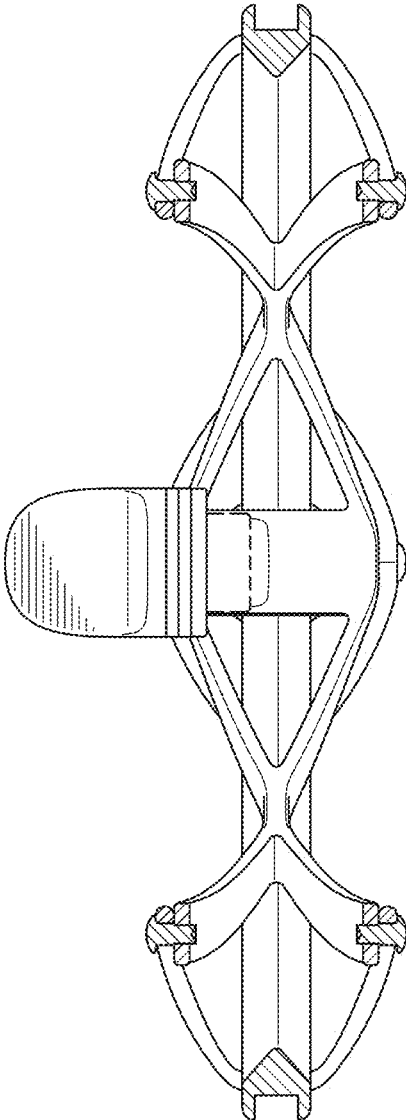


Fig. 11