

(19) World Intellectual Property Organization
International Bureau



(43) International Publication Date
18 January 2007 (18.01.2007)

PCT

(10) International Publication Number
WO 2007/007360 A3

(51) International Patent Classification:
G05F 1/67 (2006.01)

(21) International Application Number:

PCT/IT2005/000747

(22) International Filing Date:

20 December 2005 (20.12.2005)

(25) Filing Language:

Italian

(26) Publication Language:

English

(30) Priority Data:

SA2005A000014 13 July 2005 (13.07.2005) IT

(71) Applicant (for all designated States except US): **UNIVERSITA' DEGLI STUDI DI SALERNO** [IT/IT]; Via Ponte don Melillo, I-84084 Fisciano (SA) (IT).

(72) Inventors; and

(75) Inventors/Applicants (for US only): **EGIZIANO, Luigi** [IT/IT]; Universita'degli Studi di Salerno, Via Ponte don Melillo, I-84084 Fisciano (SA) (IT). **FEMIA, Nicola** [IT/IT]; Universita'degli Studi di Salerno, Via Ponte don Melillo, I-84084 Fisciano (SA) (IT). **GRANOZIO, Domenico** [IT/IT]; Universita'degli Studi di Salerno, Via Ponte don Melillo, I-84084 Fisciano (SA) (IT). **PETRONE, Giovanni** [IT/IT]; Universita'degli Studi di Salerno, Via Ponte don Melillo, I-84084 Fisciano (SA) (IT). **SPAGNUOLO, Giovanni** [IT/IT]; Universita'degli Studi di Salerno, Via Ponte don Melillo, I-84084 Fisciano

(SA) (IT). **VITELLI, Massimo** [IT/IT]; Universita'degli Studi di Salerno, Via Ponte don Melillo, I-84084 Fisciano (SA) (IT).

(74) Agents: **SCILLETTA, Andrea** et al.; Ing. Barzano' & Zanardo Roma S.p.A., Via Piemonte, 26, I-00187 Roma (IT).

(81) Designated States (unless otherwise indicated, for every kind of national protection available): AE, AG, AL, AM, AT, AU, AZ, BA, BB, BG, BR, BW, BY, BZ, CA, CH, CN, CO, CR, CU, CZ, DE, DK, DM, DZ, EC, EE, EG, ES, FI, GB, GD, GE, GH, GM, HR, HU, ID, IL, IN, IS, JP, KE, KG, KM, KN, KP, KR, KZ, LC, LK, LR, LS, LT, LU, LV, LY, MA, MD, MG, MK, MN, MW, MX, MZ, NA, NG, NI, NO, NZ, OM, PG, PH, PL, PT, RO, RU, SC, SD, SE, SG, SK, SL, SM, SY, TJ, TM, TN, TR, TT, TZ, UA, UG, US, UZ, VC, VN, YU, ZA, ZM, ZW.

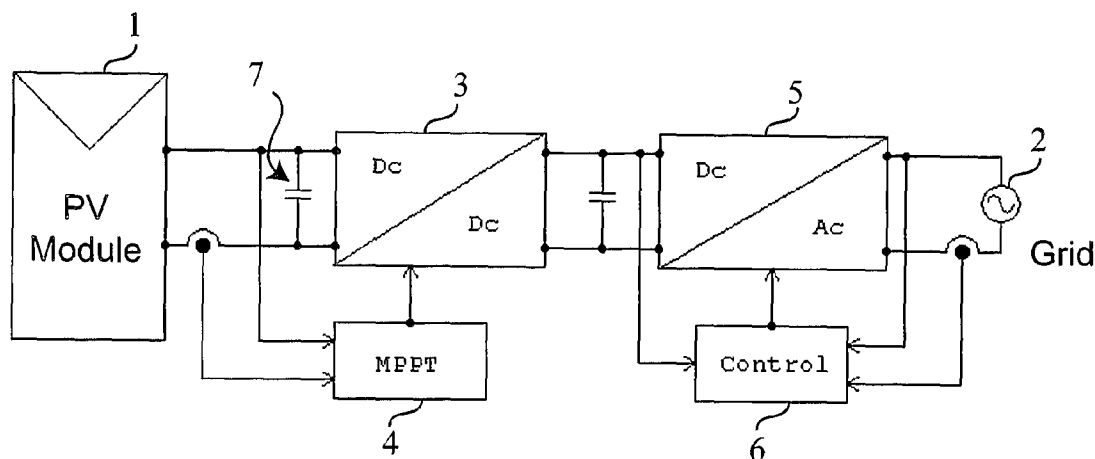
(84) Designated States (unless otherwise indicated, for every kind of regional protection available): ARIPO (BW, GH, GM, KE, LS, MW, MZ, NA, SD, SL, SZ, TZ, UG, ZM, ZW), Eurasian (AM, AZ, BY, KG, KZ, MD, RU, TJ, TM), European (AT, BE, BG, CH, CY, CZ, DE, DK, EE, ES, FI, FR, GB, GR, HU, IE, IS, IT, LT, LU, LV, MC, NL, PL, PT, RO, SE, SI, SK, TR), OAPI (BF, BJ, CF, CG, CI, CM, GA, GN, GQ, GW, ML, MR, NE, SN, TD, TG).

Published:

— with international search report

[Continued on next page]

(54) Title: SINGLE STAGE INVERTER DEVICE, AND RELATED CONTROLLING METHOD, FOR CONVERTERS OF POWER FROM ENERGY SOURCES, IN PARTICULAR PHOTOVOLTAIC SOURCES



(57) Abstract: The present invention concerns a single stage inverter device for power converters, comprising switching means (M1-M4) capable to periodically connect an energy source (1), in particular a photovoltaic one, to an electric network or grid (2), the switching means (M1-M4) being controlled by controlling electronic means (10, 20) operating according to a single switching cycle control of the switching means (M1-M4), the operative and circuit device parameters being such to fulfill a series of constraints simultaneously optimising both the maximum power point tracking or MPPT (Maximum Power Point Tracking) and the output power factor or PF-out (Power Factor-output) for one or more operation conditions. The present invention further concerns the related method of controlling and the related method of scaling such device.

WO 2007/007360 A3



— *before the expiration of the time limit for amending the claims and to be republished in the event of receipt of amendments*

For two-letter codes and other abbreviations, refer to the "Guidance Notes on Codes and Abbreviations" appearing at the beginning of each regular issue of the PCT Gazette.

(88) Date of publication of the international search report:
20 September 2007

INTERNATIONAL SEARCH REPORT

International application No
PCT/IT2005/000747

A. CLASSIFICATION OF SUBJECT MATTER INV. G05F1/67		
According to International Patent Classification (IPC) or to both national classification and IPC		
B. FIELDS SEARCHED		
Minimum documentation searched (classification system followed by classification symbols) G05F H02M H02P		
Documentation searched other than minimum documentation to the extent that such documents are included in the fields searched		
Electronic data base consulted during the international search (name of data base and, where practical, search terms used) EPO-Internal		
C. DOCUMENTS CONSIDERED TO BE RELEVANT		
Category*	Citation of document, with indication, where appropriate, of the relevant passages	Relevant to claim No.
A	YANG CHEN ET AL: "A new maximum power point tracking controller for photovoltaic power generation" APEC 2003. 18TH. ANNUAL IEEE APPLIED POWER ELECTRONICS CONFERENCE AND EXPOSITION. MIAMI BEACH, FL, FEB. 9 - 13, 2003, ANNUAL APPLIED POWER ELECTRONICS CONFERENCE, NEW YORK, NY : IEEE, US, vol. VOL. 1 OF 2. CONF. 18, 9 February 2003 (2003-02-09), pages 58-62, XP010631489 ISBN: 0-7803-7768-0 the whole document	1-25
<p style="text-align: center;">----- -/--</p>		
<input checked="" type="checkbox"/> Further documents are listed in the continuation of Box C.		
<input checked="" type="checkbox"/> See patent family annex.		
* Special categories of cited documents :		
A document defining the general state of the art which is not considered to be of particular relevance *E* earlier document but published on or after the international filing date *L* document which may throw doubts on priority claim(s) or which is cited to establish the publication date of another citation or other special reason (as specified) *O* document referring to an oral disclosure, use, exhibition or other means *P* document published prior to the international filing date but later than the priority date claimed		
T later document published after the international filing date or priority date and not in conflict with the application but cited to understand the principle or theory underlying the invention *X* document of particular relevance; the claimed invention cannot be considered novel or cannot be considered to involve an inventive step when the document is taken alone *Y* document of particular relevance; the claimed invention cannot be considered to involve an inventive step when the document is combined with one or more other such documents, such combination being obvious to a person skilled in the art. *&* document member of the same patent family		
Date of the actual completion of the international search 5 July 2007		Date of mailing of the international search report 17/07/2007
Name and mailing address of the ISA/ European Patent Office, P.B. 5818 Patentlaan 2 NL - 2280 HV Rijswijk Tel. (+31-70) 340-2040, Tx. 31 651 epo nl, Fax: (+31-70) 340-3016		Authorized officer HERNANDEZ SERNA, J

INTERNATIONAL SEARCH REPORT

International application No

PCT/IT2005/000747

C(Continuation). DOCUMENTS CONSIDERED TO BE RELEVANT

Category*	Citation of document, with indication, where appropriate, of the relevant passages	Relevant to claim No.
A	CHEN Y ET AL: "A Cost-Effective Single-Stage Inverter With Maximum Power Point Tracking" IEEE TRANSACTIONS ON POWER ELECTRONICS, IEEE SERVICE CENTER, PISCATAWAY, NJ, US, vol. 19, no. 5, September 2004 (2004-09), pages 1289-1294, XP011118250 ISSN: 0885-8993 cited in the application the whole document	1-25
A	TSAI-FU WU ET AL: "Single-Stage Converters for PV Lighting Systems with MPPT and Energy Backup" IEEE TRANSACTIONS ON AEROSPACE AND ELECTRONIC SYSTEMS, IEEE SERVICE CENTER, PISCATAWAY, NJ, US, vol. 35, no. 4, October 1999 (1999-10), pages 1306-1317, XP011081178 ISSN: 0018-9251 the whole document	1-25
A	US 6 285 572 B1 (ONIZUKA KEIGO [JP] ET AL) 4 September 2001 (2001-09-04) column 1, line 9 - column 13, line 51; claim 12; figures 1-6	1-25
A	US 5 077 652 A (FALEY BRIAN J [US]) 31 December 1991 (1991-12-31) column 1, line 13 - column 9, line 19; figures 1-4	1-25
A	US 2005/002214 A1 (DENG DUO [US] ET AL) 6 January 2005 (2005-01-06) paragraphs [0002] - [0064]; figures 1-6	1-25
A	US 2004/264225 A1 (BHAVARAJU VIJAY [US] ET AL) 30 December 2004 (2004-12-30) paragraphs [0001] - [0055]; claim 5; figures 1-3	1-25
A	US 4 375 662 A (BAKER RICHARD H) 1 March 1983 (1983-03-01) column 3, line 9 - column 8, line 29; figures 1-3	1-25
A	US 2005/110454 A1 (TSAI WEN-YIN [TW] ET AL) 26 May 2005 (2005-05-26) paragraphs [0003] - [0070]; figures 1-5	1-25
A	WO 2004/100344 A (BALLARD POWER SYSTEMS CORP [US]; DENG DUO [US]; TULADHAR ANIL [US]; FA) 18 November 2004 (2004-11-18) page 1, line 5 - page 17, line 4; figures 1-6	1-25
	----- -/--	

INTERNATIONAL SEARCH REPORT

International application No
PCT/IT2005/000747

C(Continuation). DOCUMENTS CONSIDERED TO BE RELEVANT		
Category*	Citation of document, with indication, where appropriate, of the relevant passages	Relevant to claim No.
A	<p>WO 2004/100348 A1 (ENECYS LTD [GB]; MUMTAZ ASIM [GB]; CHISENGA LESLEY [GB]; AMARATUNGA G) 18 November 2004 (2004-11-18) page 1 - page 11</p>	1-25
A	<p>US 6 111 767 A (HANDLEMAN CLAYTON KLING PHILIP [US]) 29 August 2000 (2000-08-29) column 1, line 13 - column 14, line 22; claims 1-24; figures 1-6b</p>	1-25

INTERNATIONAL SEARCH REPORT

Information on patent family members

International application No

PCT/IT2005/000747

Patent document cited in search report	Publication date	Patent family member(s)	Publication date
US 6285572	B1	04-09-2001 CN EP 1271207 A 1047179 A1	25-10-2000 25-10-2000
US 5077652	A	31-12-1991 NONE	
US 2005002214	A1	06-01-2005 NONE	
US 2004264225	A1	30-12-2004 NONE	
US 4375662	A	01-03-1983 DE 3070475 D1 EP 0029743 A1 ES 8202988 A1 JP 56086029 A ZA 8007342 A	15-05-1985 03-06-1981 16-05-1982 13-07-1981 25-11-1981
US 2005110454	A1	26-05-2005 TW 232361 B	11-05-2005
WO 2004100344	A	18-11-2004 NONE	
WO 2004100348	A1	18-11-2004 EP 1623495 A1	08-02-2006
US 6111767	A	29-08-2000 US 6339538 B1	15-01-2002