



US00D567431S

(12) **United States Design Patent**  
**Garner et al.**

(10) **Patent No.:** **US D567,431 S**

(45) **Date of Patent:** **\*\* Apr. 22, 2008**

(54) **DESK LAMP**

D351,679 S \* 10/1994 Chen ..... D26/107

(75) Inventors: **Mike Garner**, North Barrington, IL (US); **Scott Harold Wilson**, Chicago, IL (US); **Giles David Matthew McWilliam**, Chicago, IL (US); **Marc Rene Walliser**, Chicago, IL (US)

\* cited by examiner

*Primary Examiner*—Cathron Brooks  
*Assistant Examiner*—Linda Brooks  
(74) *Attorney, Agent, or Firm*—Warner Norcross & Judd LLP

(73) Assignee: **Light Corporation**, Grand Haven, MI (US)

(57) **CLAIM**

(\*\*) Term: **14 Years**

The ornamental design for a desk lamp, as shown and described.

(21) Appl. No.: **29/280,929**

**DESCRIPTION**

(22) Filed: **Jun. 9, 2007**

FIG. 1 is a perspective view of the desk lamp embodying the new design;

(51) **LOC (8) Cl.** ..... **26-03**

(52) **U.S. Cl.** ..... **D26/107**

FIG. 2 is a right side view, the left side being a mirror image thereof;

(58) **Field of Classification Search** ..... D26/93-112;  
362/410-414, 806

FIG. 3 is a front view thereof;

See application file for complete search history.

FIG. 4 is a rear view thereof;

FIG. 5 is a top view thereof; and,

FIG. 6 is a bottom view thereof.

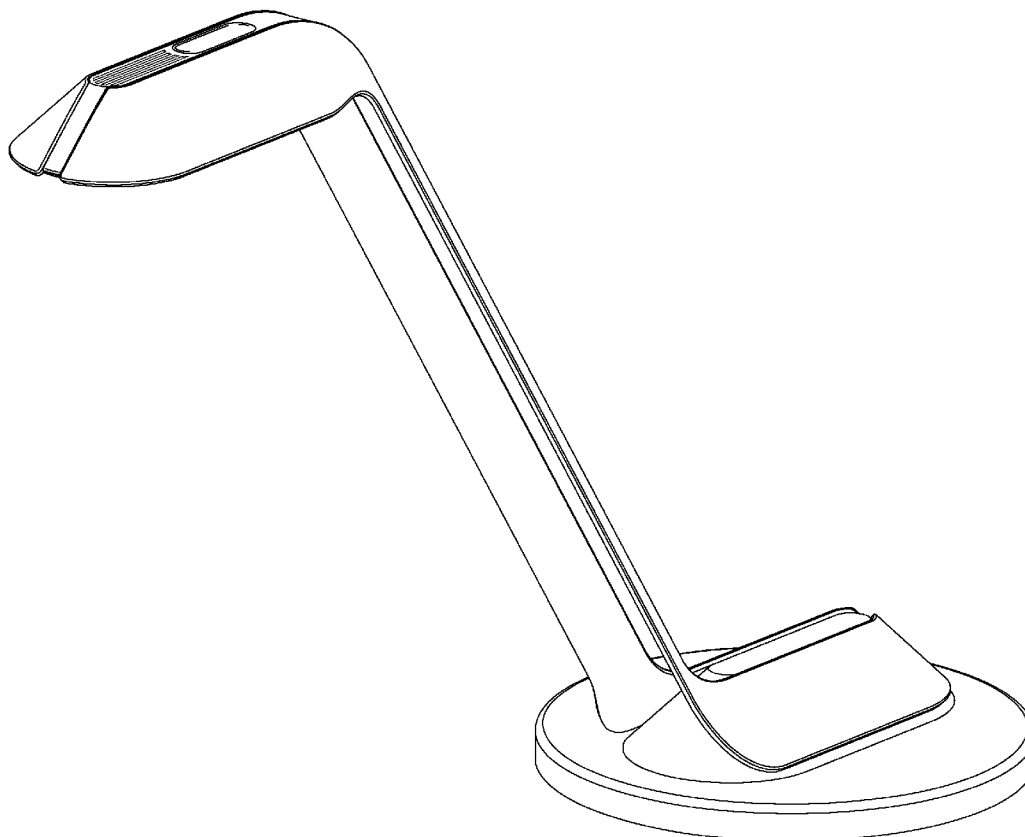
(56) **References Cited**

U.S. PATENT DOCUMENTS

- 2,511,780 A \* 6/1950 Masterson ..... 362/298
- D308,424 S \* 6/1990 Nishida ..... D26/107
- D327,137 S \* 6/1992 Wu ..... D26/107

The portions shown in broken lines form no part of the claimed design.

**1 Claim, 4 Drawing Sheets**



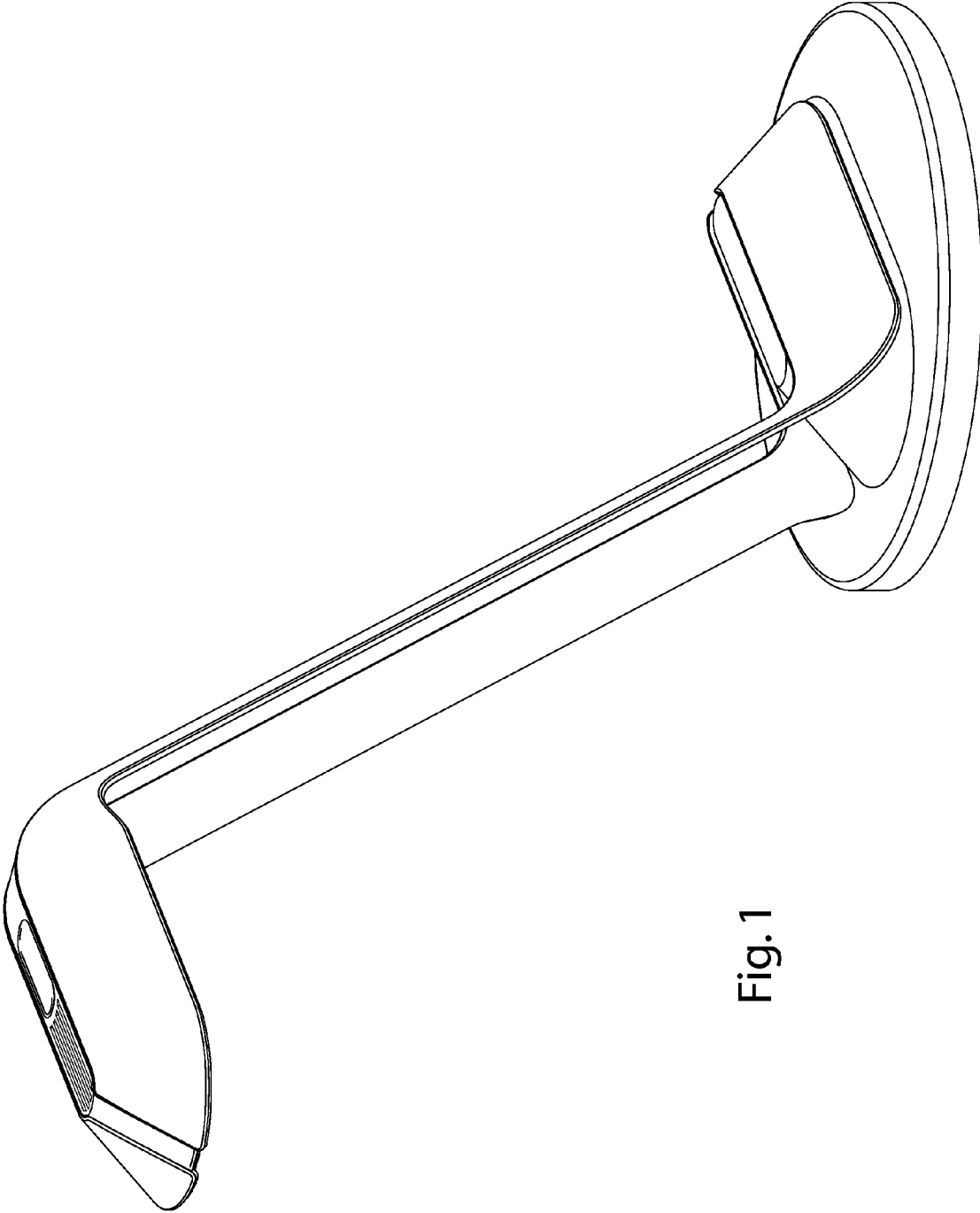


Fig. 1

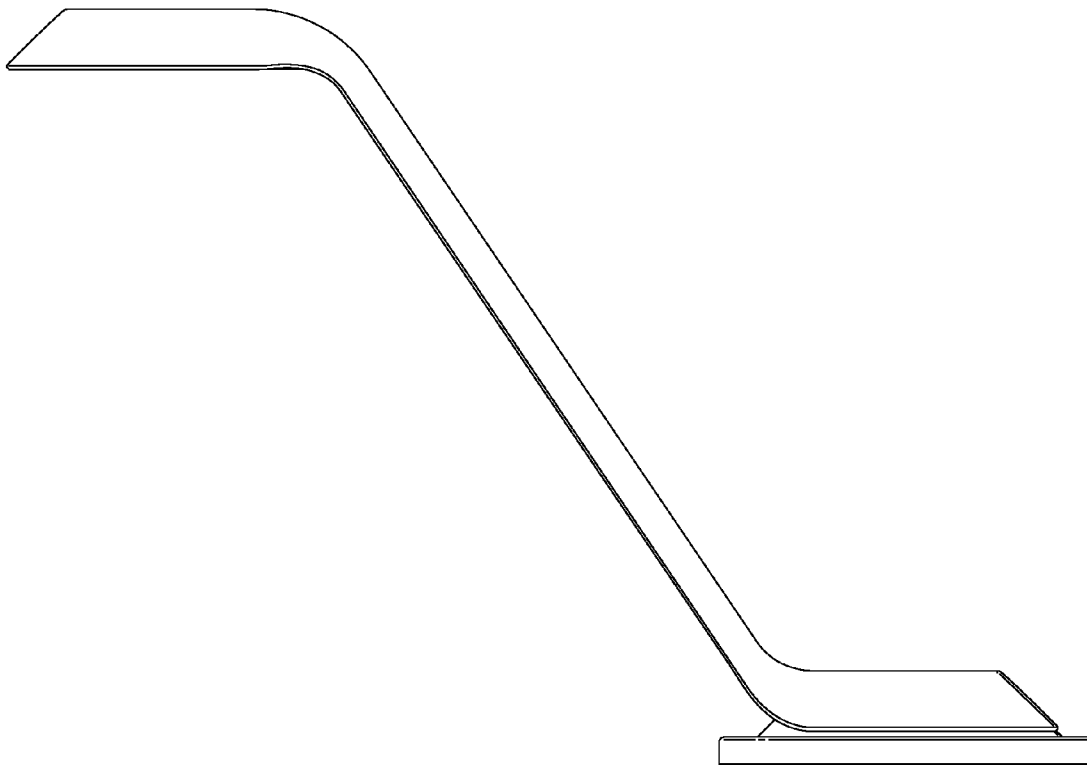


Fig. 2

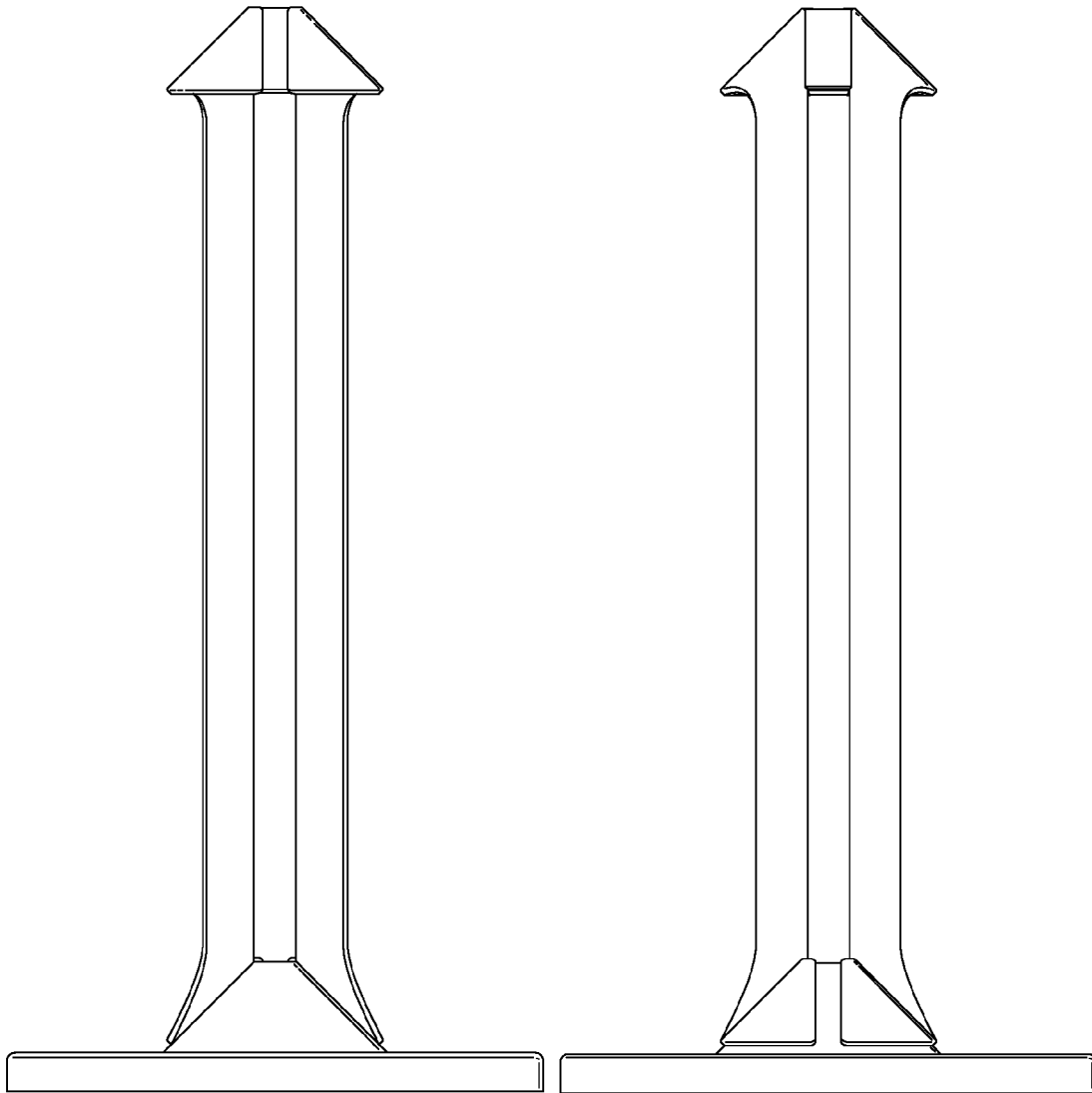


Fig. 3

Fig. 4

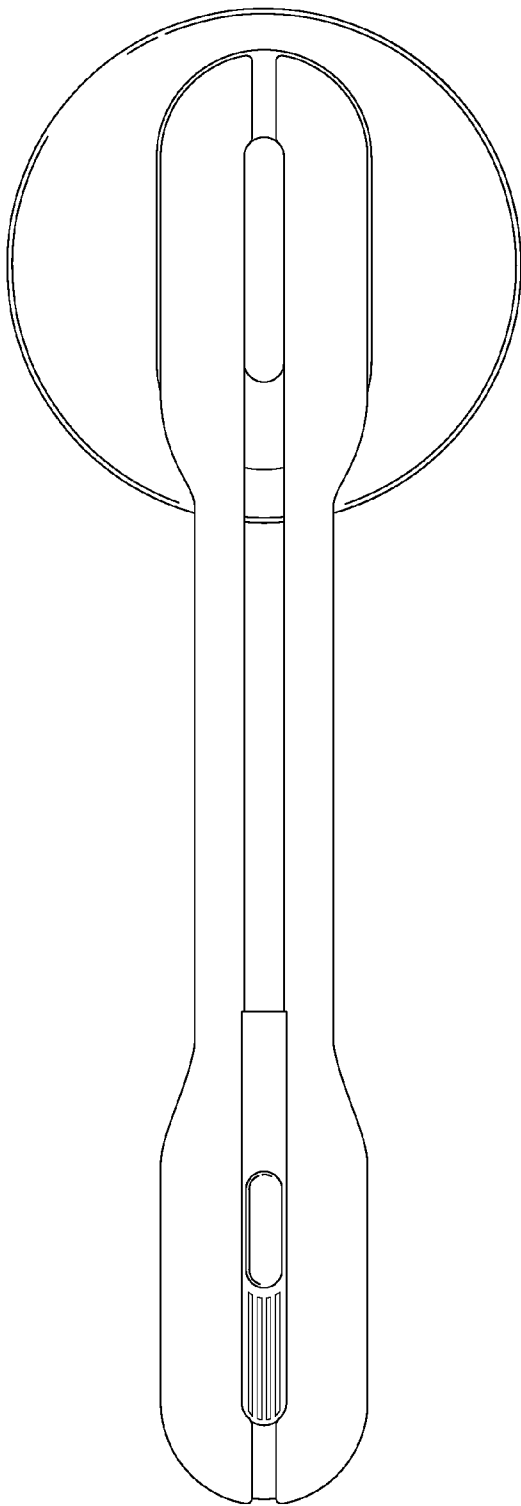


Fig. 5

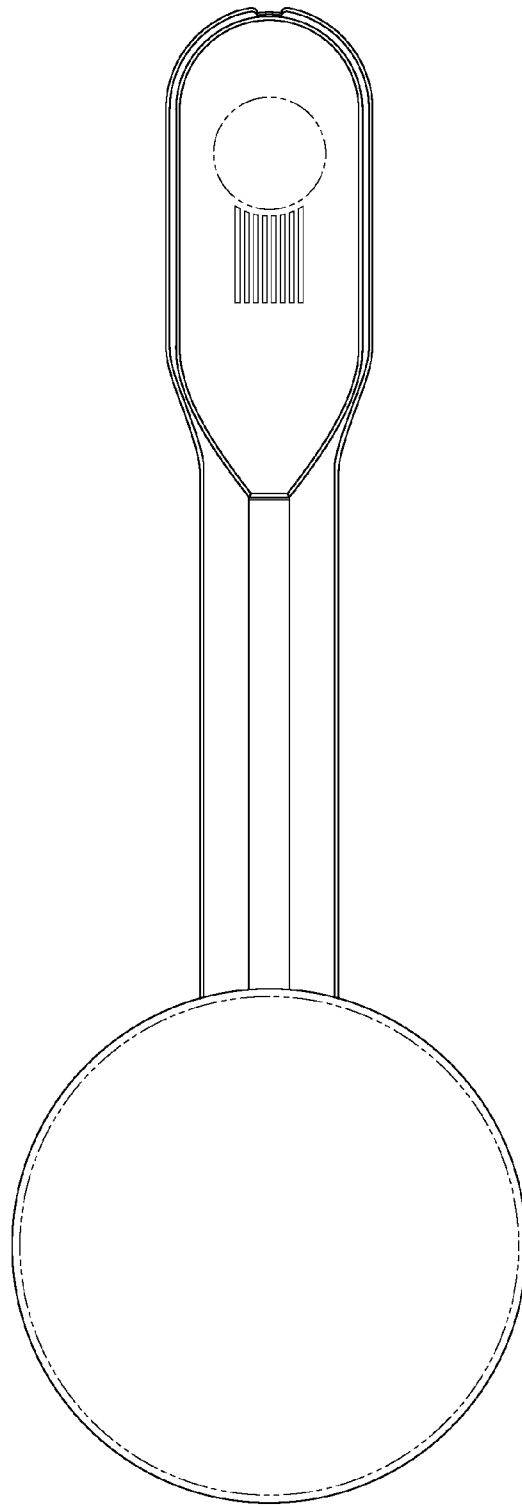


Fig. 6