



US00D829083S

(12) **United States Design Patent**  
**O'Brien**

(10) **Patent No.:** **US D829,083 S**

(45) **Date of Patent:** **\*\* Sep. 25, 2018**

(54) **BRACKET**

(71) Applicant: **TSI Products, Inc.**, Arlington, TX (US)

(72) Inventor: **Stephen William O'Brien**, Fort Worth, TX (US)

(73) Assignee: **TSI Products, Inc.**, Arlington, TX (US)

(\*\*) Term: **15 Years**

(21) Appl. No.: **29/558,602**

(22) Filed: **Mar. 18, 2016**

(51) **LOC (11) Cl.** ..... **08-05**

(52) **U.S. Cl.**

USPC ..... **D8/366**

(58) **Field of Classification Search**

USPC ..... D8/370, 44, 24, 25, 33, 383, 19, 330,  
D8/355, 356, 349, 382, 371, 366, 363

CPC ..... F16M 13/02

See application file for complete search history.

(56) **References Cited**

**U.S. PATENT DOCUMENTS**

3,834,033 A \* 9/1974 Pinkard ..... G01B 3/30  
33/429  
4,122,644 A \* 10/1978 Woodruff ..... B22D 7/102  
52/787.11

9,435,130 B2 \* 9/2016 Briganti ..... B25H 7/04  
2007/0196164 A1 \* 8/2007 Dent ..... G09F 15/00  
403/2  
2008/0239653 A1 \* 10/2008 Wu ..... G06F 1/187  
361/679.33  
2016/0149386 A1 \* 5/2016 Stechmann ..... H02G 3/32  
248/68.1

\* cited by examiner

*Primary Examiner* — Eliza Z Bennett-Hattan

(74) *Attorney, Agent, or Firm* — Hitchcock Evert LLP

(57) **CLAIM**

The ornamental design for a bracket, as shown and described.

**DESCRIPTION**

FIG. 1 is a perspective view from the top-front of the bracket;

FIG. 2 is a front view thereof;

FIG. 3 is a back view thereof;

FIG. 4 is a right side view thereof;

FIG. 5 is a left side view thereof;

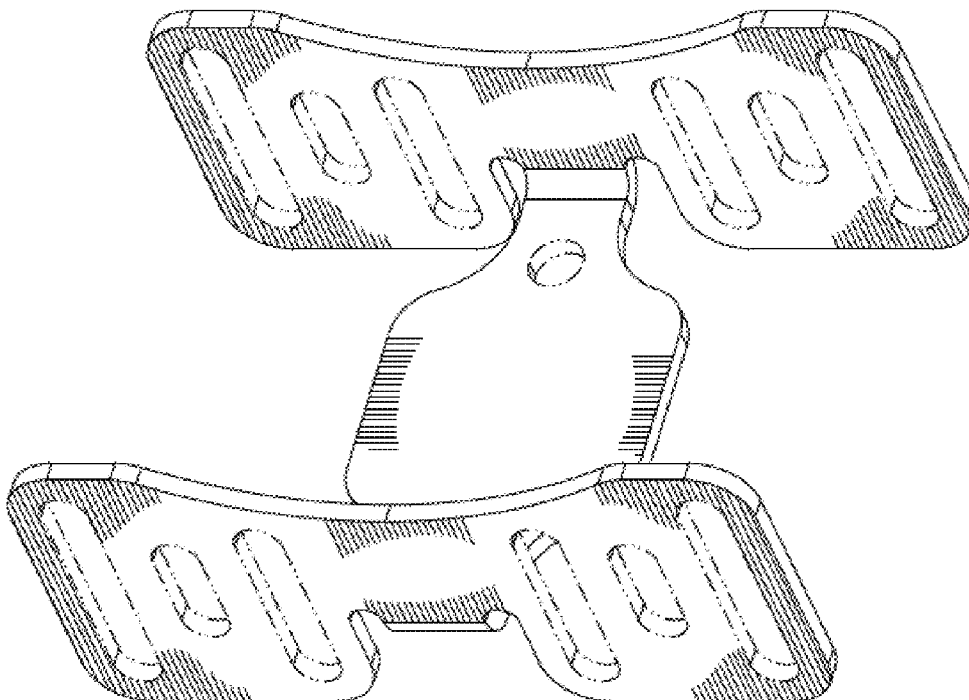
FIG. 6 is a top view thereof;

FIG. 7 is a bottom view thereof; and,

FIG. 8 is a perspective view from the bottom-back thereof.

The features shown in broken lines are for the purpose of illustrating portions of the article that form no part of the claimed design.

**1 Claim, 6 Drawing Sheets**



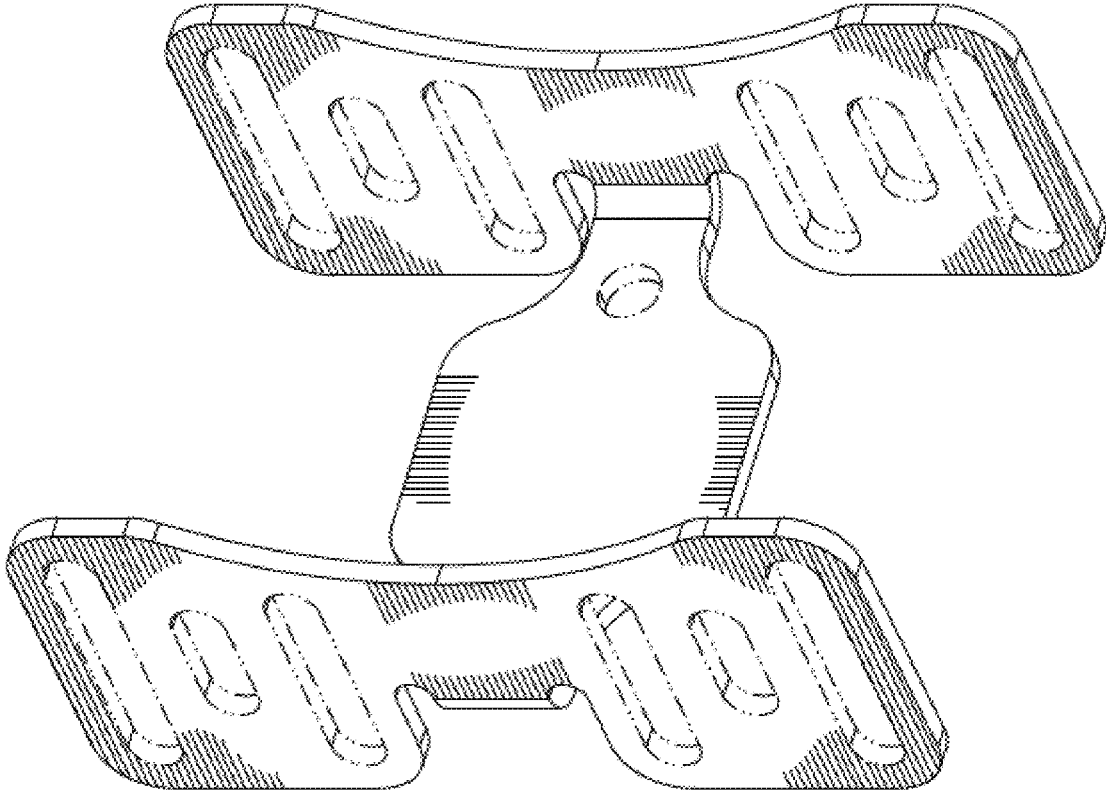


FIG. 1

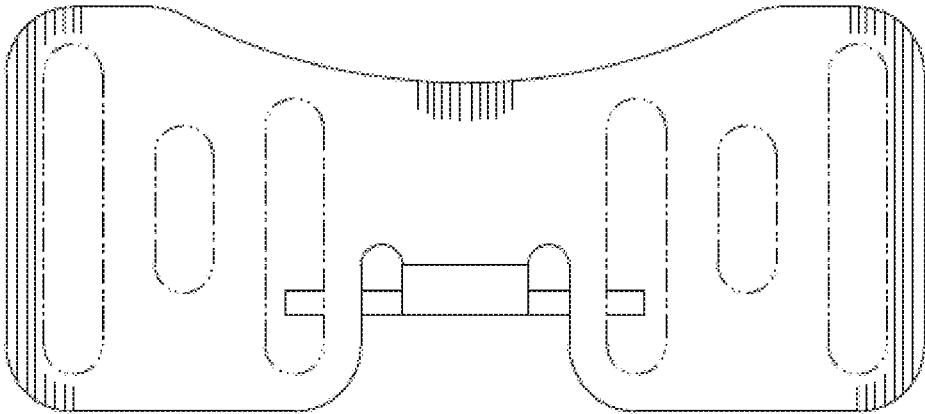


FIG. 2

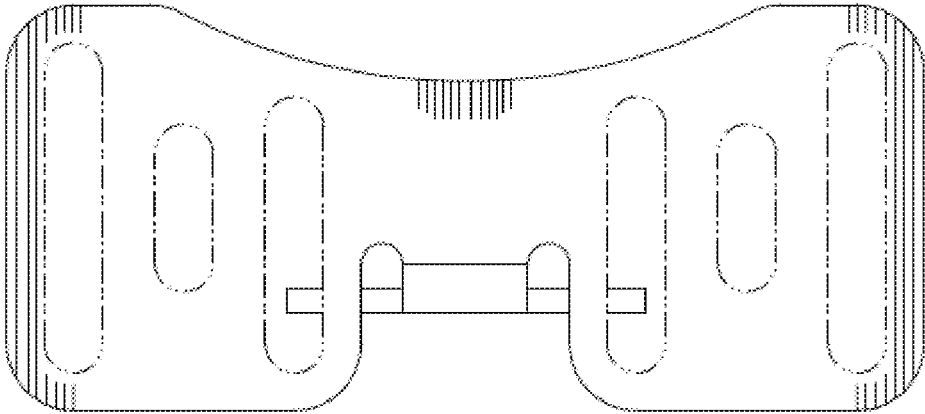


FIG. 3

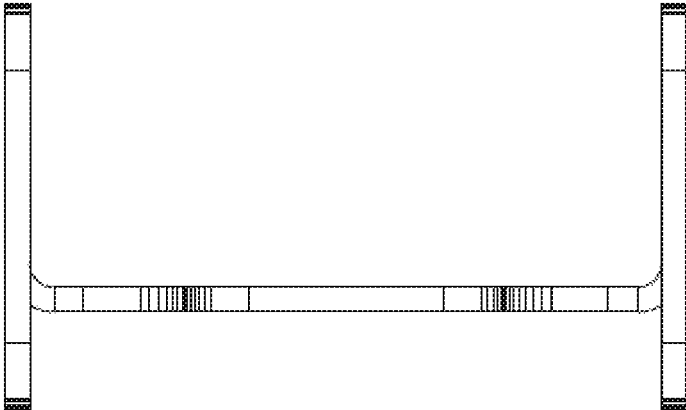


FIG. 4

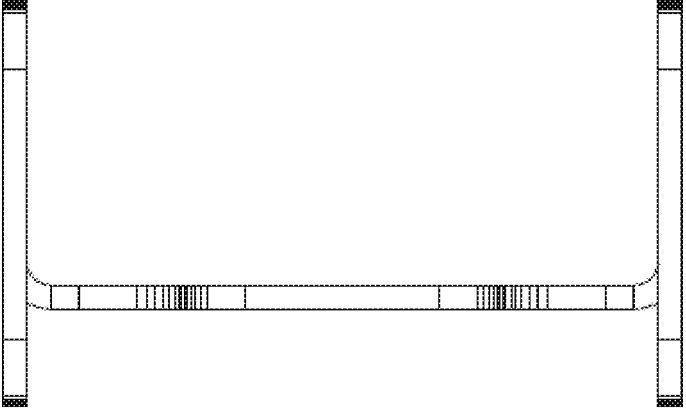


FIG. 5

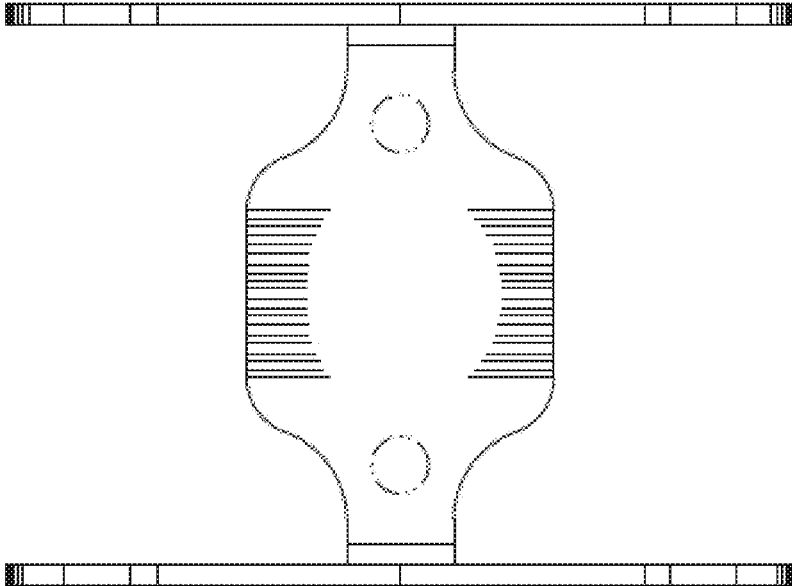


FIG. 6

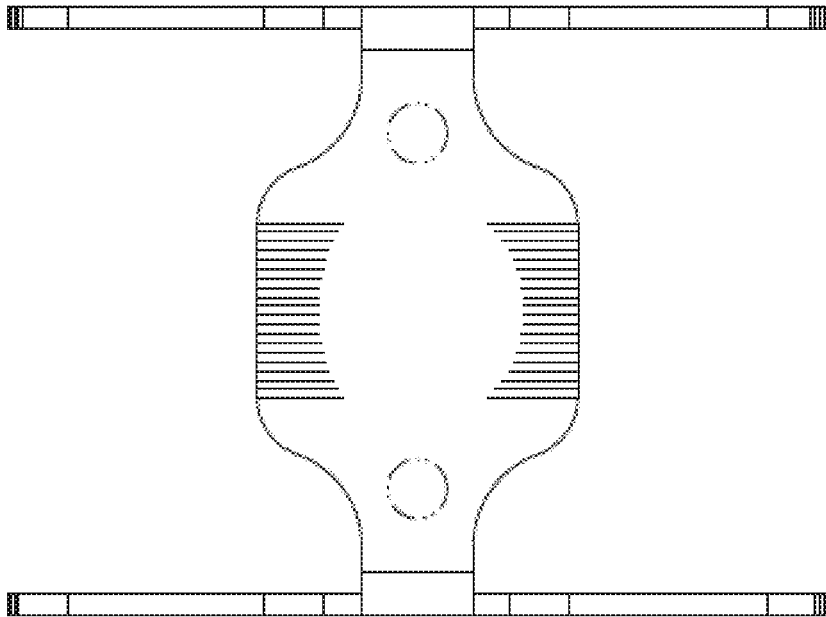


FIG. 7

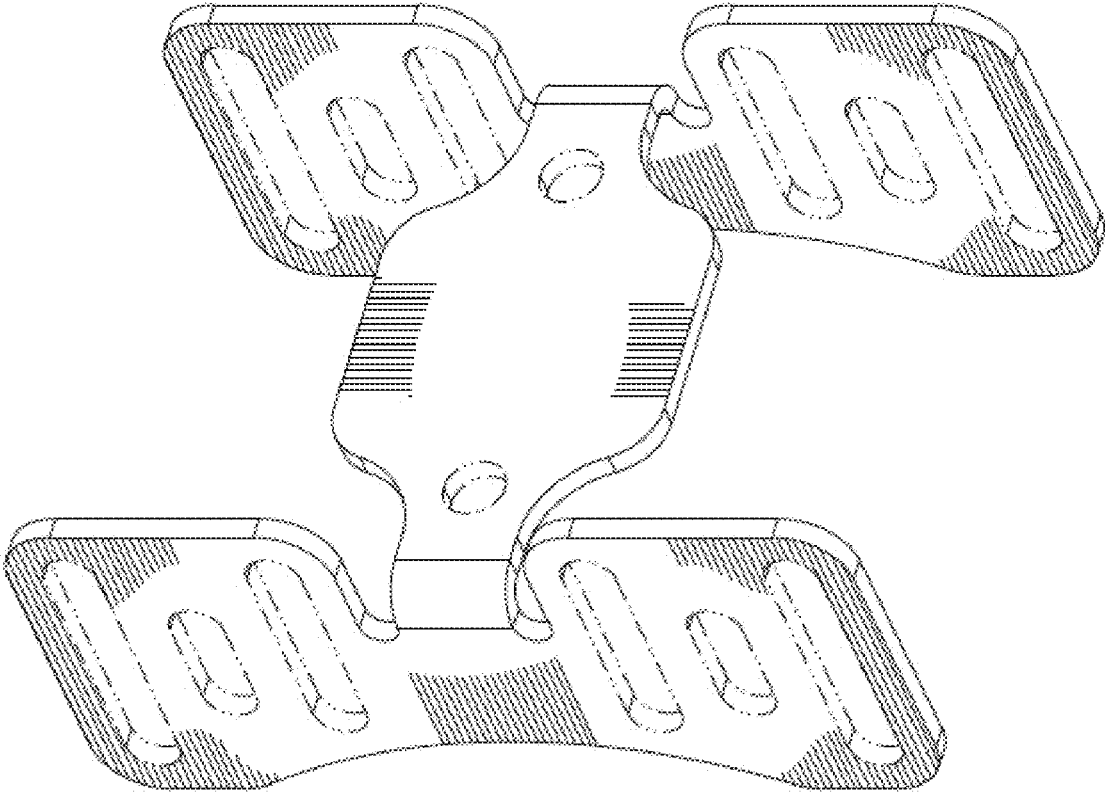


FIG. 8