



US00D643278S

(12) **United States Design Patent**
Fidali et al.

(10) **Patent No.:** **US D643,278 S**

(45) **Date of Patent:** **** Aug. 16, 2011**

(54) **HOTEL DOOR SOUND SUPPRESSOR (HDSS)**

(75) Inventors: **Wlodzimierz Fidali**, Brooklyn, NY (US); **Robert T. Logan**, New York, NY (US)

(73) Assignee: **Senduzy Corp.**, New York, NY (US)

(**) Term: **14 Years**

(21) Appl. No.: **29/368,502**

(22) Filed: **Aug. 24, 2010**

(51) **LOC (9) Cl.** **08-07**

(52) **U.S. Cl.** **D8/343; D8/330**

(58) **Field of Classification Search** D8/330-343;
70/1.5, 2, 14, 51-54, 57, 57.1, 141, 142,
70/143, 431, 442, 443, 465, 466; 292/1,
292/21, 92, 288, 289, 300, 266, 262; 81/15.9,
81/488; 181/175, 185, 198

See application file for complete search history.

(56) **References Cited**

U.S. PATENT DOCUMENTS

372,326 A	11/1887	Palmenberg	
1,354,876 A	10/1920	Biegacki	
2,029,711 A	2/1936	Frantz	
3,055,043 A *	9/1962	Luttner, Jr.	16/86 B
3,187,372 A	6/1965	Parsons	
3,894,356 A	7/1975	Imhoff	
3,955,842 A *	5/1976	Edwards	292/307 R
4,190,926 A *	3/1980	Cronin	16/65
4,725,084 A *	2/1988	Catricola	292/81
4,891,906 A *	1/1990	Knapp	49/65
4,982,474 A *	1/1991	Kjellstrom	16/82
5,018,415 A	5/1991	Hawley	
D319,775 S *	9/1991	MacFarlane	D8/331
D351,781 S *	10/1994	DeWitt	D8/344
D396,626 S *	8/1998	Francom	D8/323

(Continued)

OTHER PUBLICATIONS

Product Catalogue, *Prime-Line: The Replacement Hardware Company*, pp. 14-15, available at http://www.primeline.net/scatalog/Sc_s.pdf (Accessed on Dec. 13, 2006).

(Continued)

Primary Examiner — Prabhakar Deshmukh
(74) *Attorney, Agent, or Firm* — American Patent Agency PC; Daniar Hussain; Ryan Abbott

(57) **CLAIM**

The ornamental design for a hotel door sound suppressor (HDSS), as shown and described.

DESCRIPTION

FIG. 1 is a perspective view of hotel door sound suppressor (HDSS) showing our new design, attached to an inside frame of a door;

FIG. 2 is a perspective view thereof, attached to door latch, showing frame side and door side portions of HDSS;

FIG. 3 is a perspective view of frame side portion of HDSS; FIG. 4 is a front elevational view of FIG. 3;

FIG. 5 is a rear elevational view of FIG. 3;

FIG. 6 is a left side elevational view of FIG. 3;

FIG. 7 is a right side elevational view of FIG. 3;

FIG. 8 is a top plan view of FIG. 3;

FIG. 9 is a bottom plan view of FIG. 3;

FIG. 10 is a perspective view thereof, attached to an outside of door side;

FIG. 11 is a perspective view of door side portion of HDSS, shown in FIG. 10;

FIG. 12 is a front elevational view of FIG. 11;

FIG. 13 is a rear elevational view of FIG. 11;

FIG. 14 is a bottom plan view of FIG. 11;

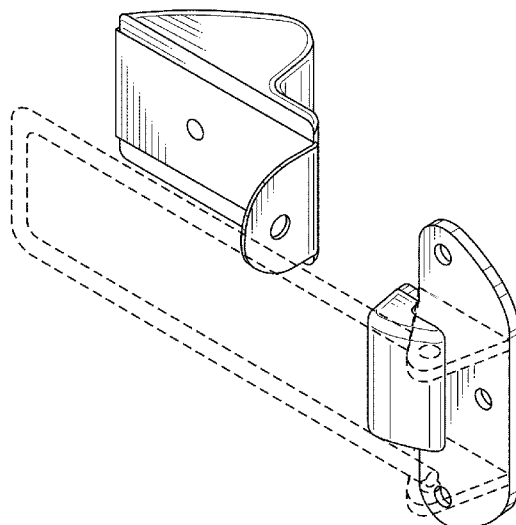
FIG. 15 is a top plan view of FIG. 11;

FIG. 16 is a right side elevational view of FIG. 11; and,

FIG. 17 is a left side elevational view of FIG. 11.

The broken lines showing of an environment of door latch and door are for illustrative purpose only and form no part of the claimed design.

1 Claim, 6 Drawing Sheets



US D643,278 S

Page 2

U.S. PATENT DOCUMENTS

D396,794 S * 8/1998 Francom D8/336
5,862,570 A 1/1999 Lezuch et al.
6,343,818 B1 2/2002 Kuramochi
6,401,396 B1 6/2002 Koban et al.
6,760,954 B1 7/2004 Rucker
6,802,155 B1 10/2004 Kawabata et al.
D504,303 S * 4/2005 Zambon et al. D8/344

6,883,841 B2 * 4/2005 Kawabata et al. 292/336.3
D550,061 S * 9/2007 Tang D8/330
7,360,804 B1 4/2008 Fidali et al.
2002/0024223 A1 2/2002 Bolduc et al.

OTHER PUBLICATIONS

Other product catalogues, pp. 1-5.

* cited by examiner

Fig. 1

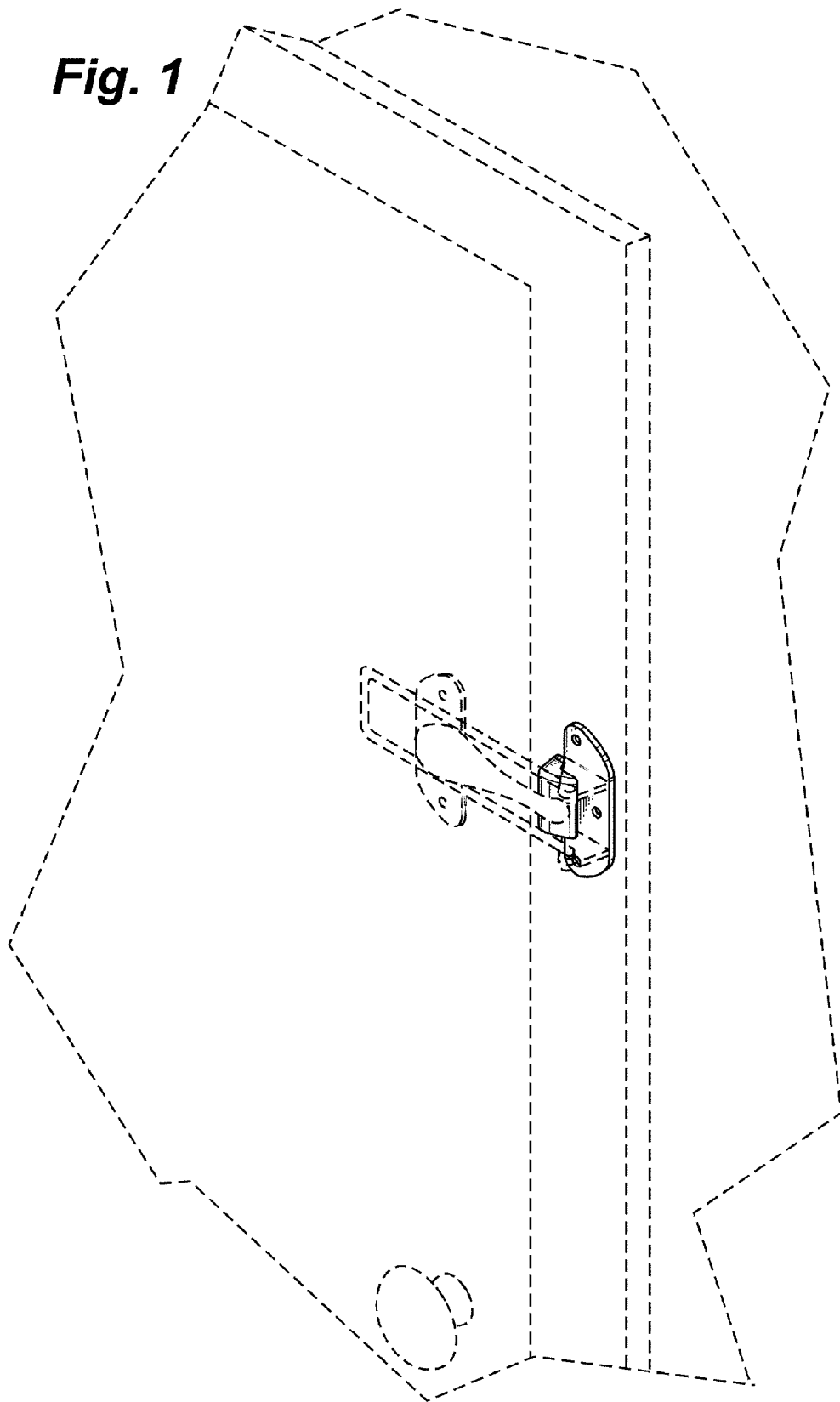


Fig. 2

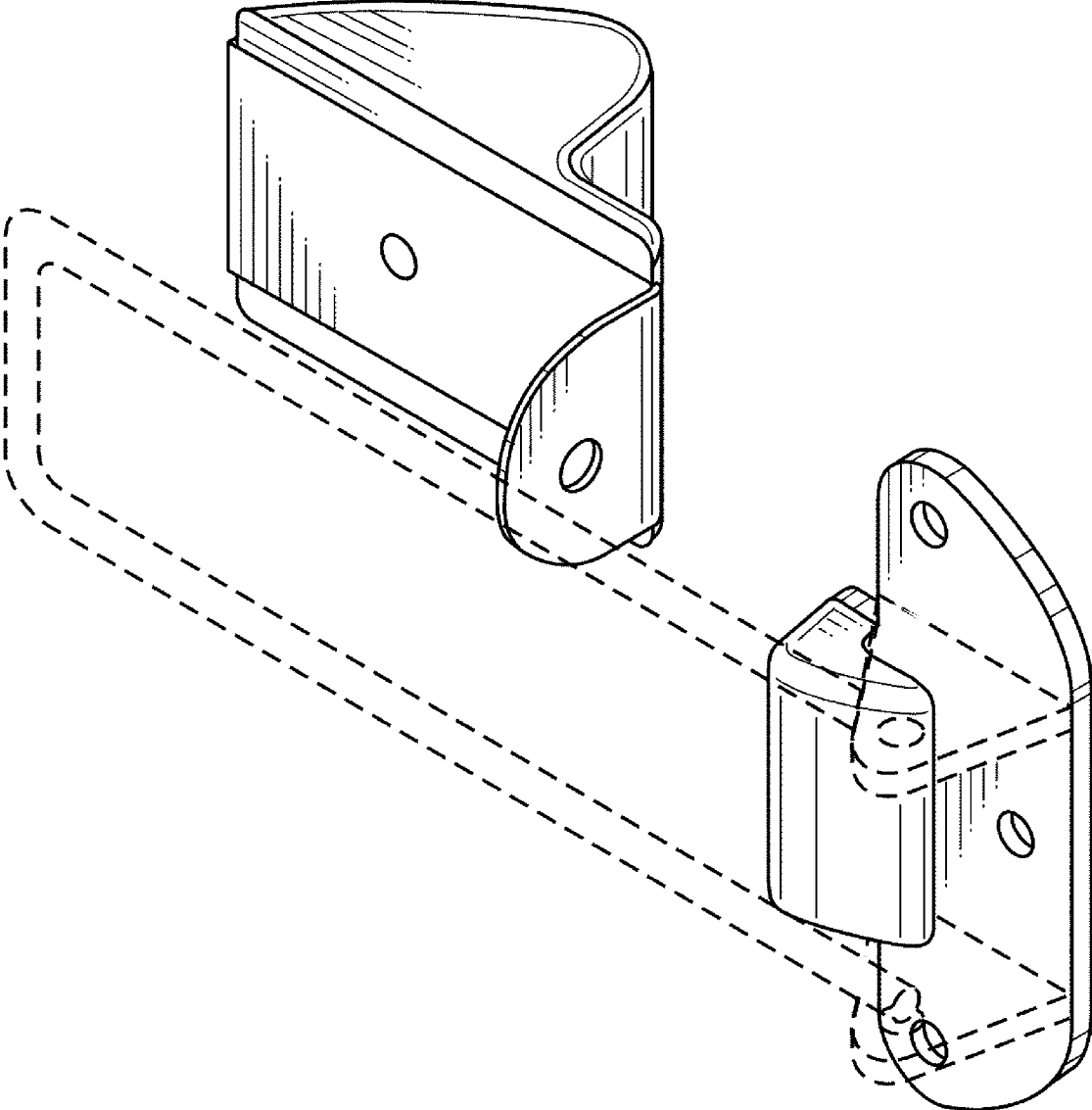


Fig. 3

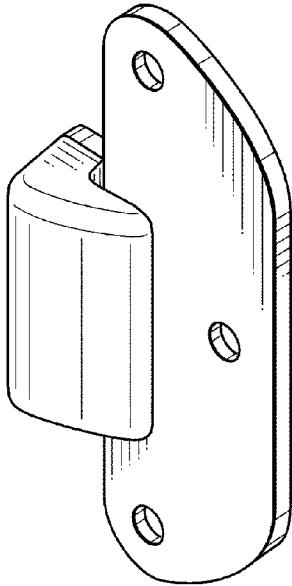


Fig. 4

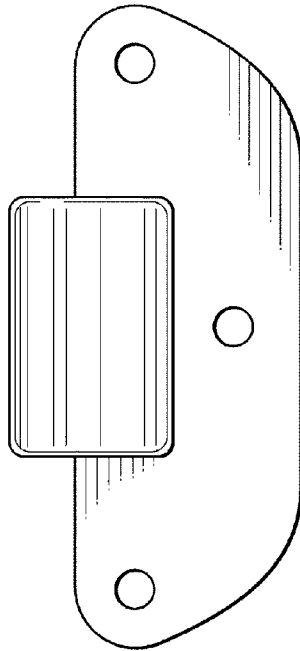


Fig. 5

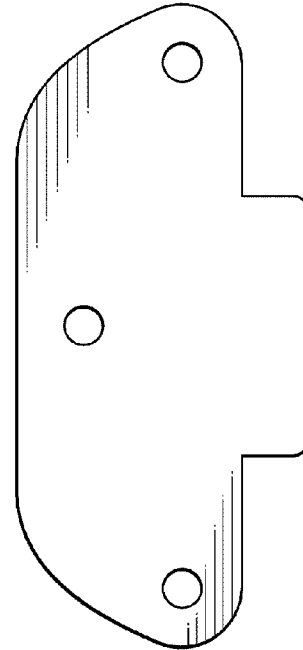


Fig. 6

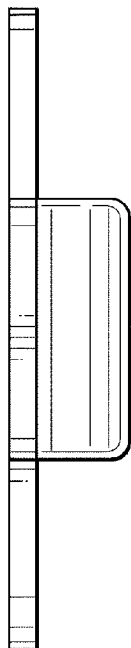


Fig. 7

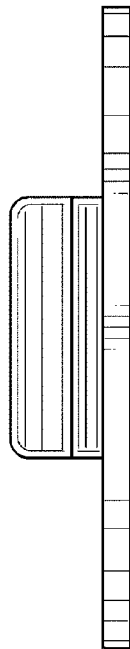


Fig. 8

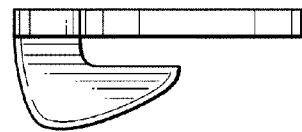


Fig. 9



Fig. 10

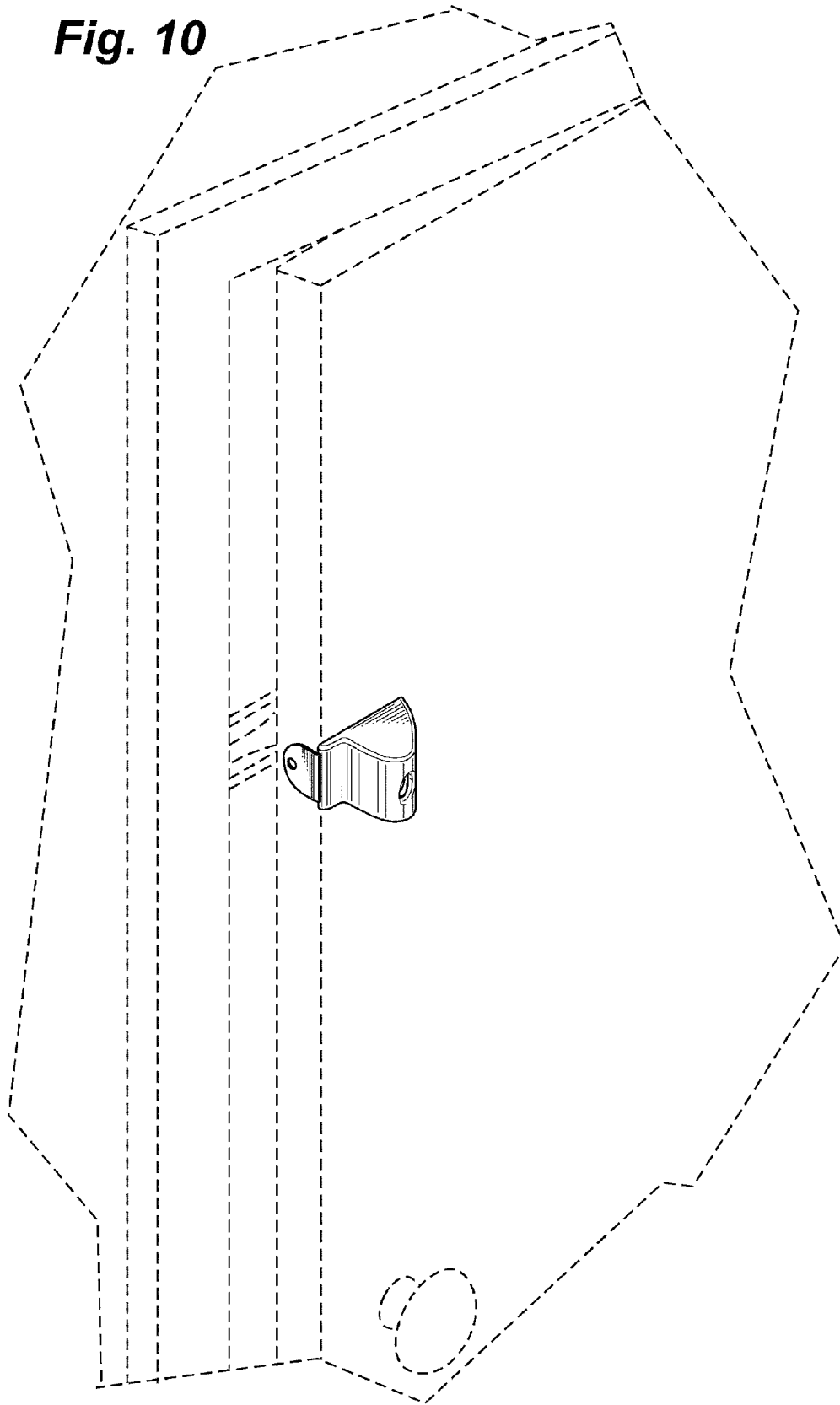


Fig. 11

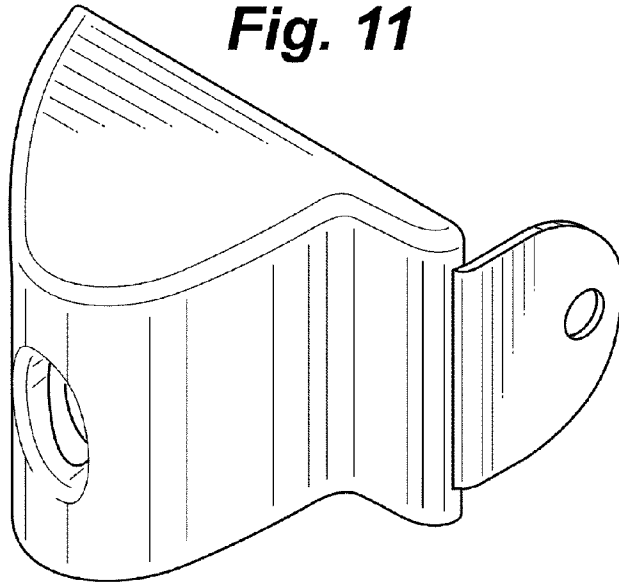


Fig. 12

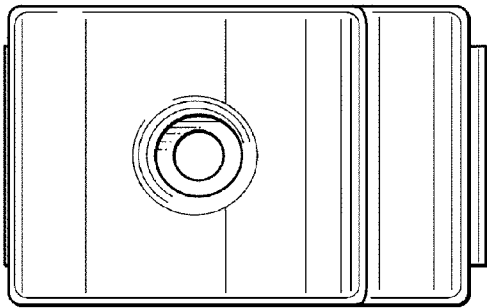


Fig. 13

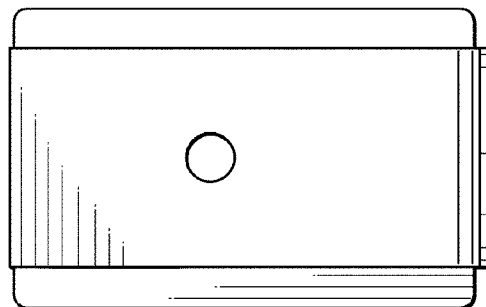


Fig. 14

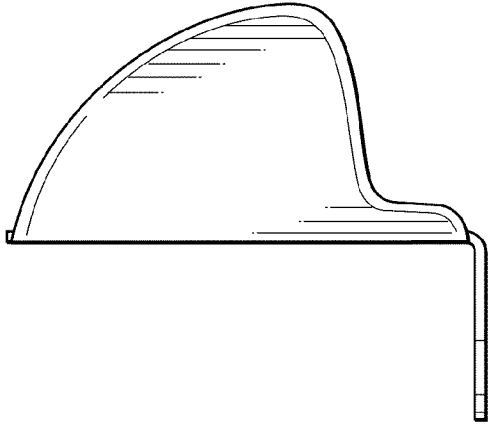


Fig. 15

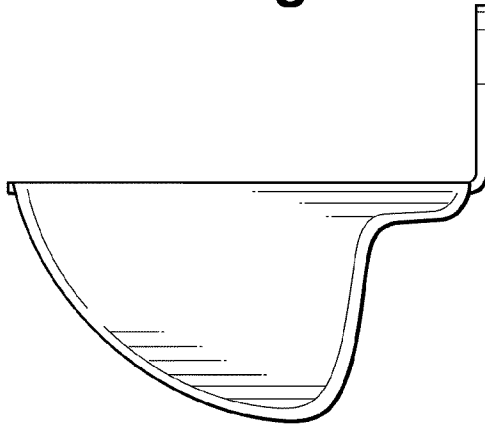


Fig. 16

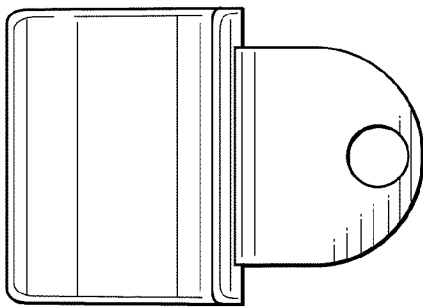


Fig. 17

