



- (51) **International Patent Classification:**
F28D 20/02 (2006.01) F24J 2/46 (2006.01)
F24J 2/34 (2006.01)
- (21) **International Application Number:** PCT/IN2014/000308
- (22) **International Filing Date:** 7 May 2014 (07.05.2014)
- (25) **Filing Language:** English
- (26) **Publication Language:** English
- (30) **Priority Data:** 2044/CHE/2013 7 May 2013 (07.05.2013) IN
- (72) **Inventor; and**
- (71) **Applicant : DHAVAL VASANTKUMAR THAKKAR**
[IN/IN]; C/o, Avinash Medicals, #27, 1st Main Road,
Gandhinagar, Bangalore-560 009 (IN).
- (74) **Agent: NITIN Mittal;** C/o Ripple IP Service PVT LTD.,
A-20, First Floor, Geetanjali Enclave, PS, Malviya Nagar,
New Delhi -110017 (IN).
- (81) **Designated States** (unless otherwise indicated, for every kind of national protection available): AE, AG, AL, AM, AO, AT, AU, AZ, BA, BB, BG, BH, BN, BR, BW, BY, BZ, CA, CH, CL, CN, CO, CR, CU, CZ, DE, DK, DM,

DO, DZ, EC, EE, EG, ES, FI, GB, GD, GE, GH, GM, GT, HN, HR, HU, ID, IL, IN, IR, IS, JP, KE, KG, KN, KP, KR, KZ, LA, LC, LK, LR, LS, LT, LU, LY, MA, MD, ME, MG, MK, MN, MW, MX, MY, MZ, NA, NG, NI, NO, NZ, OM, PA, PE, PG, PH, PL, PT, QA, RO, RS, RU, RW, SA, SC, SD, SE, SG, SK, SL, SM, ST, SV, SY, TH, TJ, TM, TN, TR, TT, TZ, UA, UG, US, UZ, VC, VN, ZA, ZM, ZW.

- (84) **Designated States** (unless otherwise indicated, for every kind of regional protection available): ARIPO (BW, GH, GM, KE, LR, LS, MW, MZ, NA, RW, SD, SL, SZ, TZ, UG, ZM, ZW), Eurasian (AM, AZ, BY, KG, KZ, RU, TJ, TM), European (AL, AT, BE, BG, CH, CY, CZ, DE, DK, EE, ES, FI, FR, GB, GR, HR, HU, IE, IS, IT, LT, LU, LV, MC, MK, MT, NL, NO, PL, PT, RO, RS, SE, SI, SK, SM, TR), OAPI (BF, BJ, CF, CG, CI, CM, GA, GN, GQ, GW, KM, ML, MR, NE, SN, TD, TG).

Declarations under Rule 4.17:

— of inventorship (Rule 4.17(iv))

Published:

— with international search report (Art. 21(3))

- (88) **Date of publication of the international search report:**
26 February 2015

(54) **Title:** APPARATUS FOR PORTABLE STORAGE OF THERMAL ENERGY

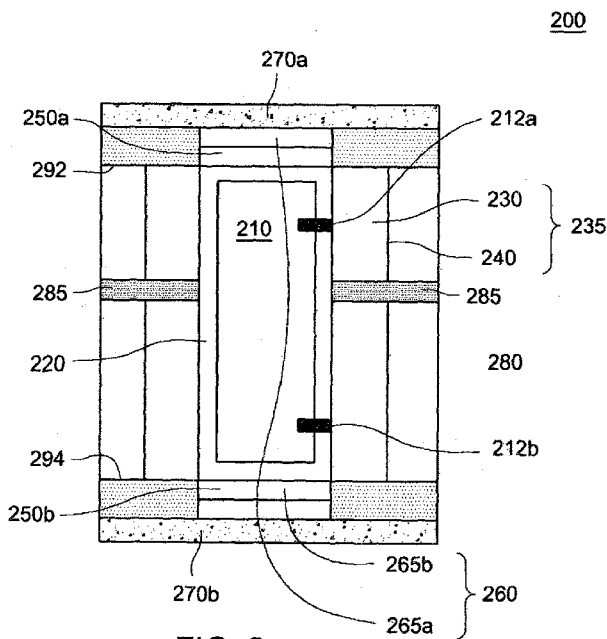


FIG. 2

(57) **Abstract:** A device and apparatus for portable storage of thermal energy is disclosed. In an embodiment the device includes a core, one or more transfer interface and a core insulation. The core stores thermal energy. The one or more transfer interface communicates energy from an external source to the core and communicates energy stored in the core to an external recipient. The core insulation thermally insulates the core other than at the at least one transfer interface.

WO 2014/192019 A3

INTERNATIONAL SEARCH REPORT

International application No.
PCT/IN2014/000308

A. CLASSIFICATION OF SUBJECT MATTER
F28D20/02, F24J2/34, F24J2/46 Version=2014.01

According to International Patent Classification (IPC) or to both national classification and IPC

B. FIELDS SEARCHED

Minimum documentation searched (classification system followed by classification symbols)

F28D, F24J

Documentation searched other than minimum documentation to the extent that such documents are included in the fields searched

Electronic data base consulted during the international search (name of data base and, where practicable, search terms used)

IPO Internal Database, Fampat

C. DOCUMENTS CONSIDERED TO BE RELEVANT

| Category* | Citation of document, with indication, where appropriate, of the relevant passages | Relevant to claim No. |
|-----------|--|-----------------------|
| X | US20080061052 A1 (ROETTINGER M et al.) Mar 13, 2008 Abstract, Para [0020], [0021], [0025], [0029], [0031]-[0034]; Figure 1,2 | 1-9, 19 |
| X | US20110226440 A1 (BISSELL A et al.) Sep 22, 2011 Abstract; Para [0042], [0055]-[0057], [0059], [0061], [0091], [0096], [103], [113], [118], [134], [155], [167], [173], [188], [189], [192], [196], [207], [209], [216]-[222], [260]; Figure 1 | 1-5, 8-10, 12-19 |
| X | US4303121 A (Jon B. Pangborn) Dec 1, 1981 Abstract; Figures; Claim 1 | 11 |
| X | DE102006045611 A1 (DAUBNER & STOMMEL BAU WERK), Apr 3, 2008 Abstract, Para [0009], [0027], [0030], [0032], [0034]; Figures | 1, 6-9 |
| A | Sharma A. et al., Review on thermal energy storage | 11 |



Further documents are listed in the continuation of Box C.



See patent family annex.

* Special categories of cited documents:

"A" document defining the general state of the art which is not considered to be of particular relevance

"E" earlier application or patent but published on or after the international filing date

"L" document which may throw doubts on priority claim(s) or which is cited to establish the publication date of another citation or other special reason (as specified)

"O" document referring to an oral disclosure, use, exhibition or other means

"P" document published prior to the international filing date but later than the priority date claimed

"T" later document published after the international filing date or priority date and not in conflict with the application but cited to understand the principle or theory underlying the invention

"X" document of particular relevance; the claimed invention cannot be considered novel or cannot be considered to involve an inventive step when the document is taken alone

"Y" document of particular relevance; the claimed invention cannot be considered to involve an inventive step when the document is combined with one or more other such documents, such combination being obvious to a person skilled in the art

"&" document member of the same patent family

Date of the actual completion of the international search

19-11-2014

Date of mailing of the international search report

19-11-2014

Name and mailing address of the ISA/

Indian Patent Office
Plot No.32, Sector 14, Dwarka, New Delhi-110075
Facsimile No.

Authorized officer

Dr. Debasish Banerjee
Telephone No. +91-1125300200

INTERNATIONAL SEARCH REPORT

International application No.
PCT/IN2014/000308

| C (Continuation). DOCUMENTS CONSIDERED TO BE RELEVANT | | |
|---|---|-----------------------|
| Category* | Citation of document, with indication, where appropriate, of the relevant passages | Relevant to claim No. |
| | with phase change materials and applications; Renewable and Sustainable Energy Reviews; Volume 13, Issue 2, Pages 318-345; February 2009 Page 325- Page 326 | |

INTERNATIONAL SEARCH REPORT
Information on patent family members

International application No.
PCT/IN2014/000308

| Citation | Pub.Date | Family | Pub.Date |
|------------------|------------|--------------------|------------|
| US 2008061052 A1 | 13-03-2008 | DE 102006043525 A1 | 27-03-2008 |
| | | AT 504190 A2 | 15-03-2008 |
| | | CA 2601549 A1 | 12-03-2008 |
| US 2011226440 A1 | 22-09-2011 | GB 2459955 B | 01-05-2013 |
| | | JP 2011521192 A | 21-07-2011 |
| | | CN 102077050 A | 25-05-2011 |
| | | KR 20110046392 A | 04-05-2011 |
| | | EP 2297538 A2 | 23-03-2011 |
| | | WO 2009138771 A3 | 21-01-2010 |
| | | WO 2009138771 A2 | 19-11-2009 |
| | | GB 2459955 A | 18-11-2009 |
| | | GB 0907438 D0 | 10-06-2009 |
| | | GB 0808930 D0 | 25-06-2008 |