



US0D1027603S

(12) **United States Design Patent**  
**Zou**

(10) **Patent No.:** **US D1,027,603 S**

(45) **Date of Patent:** **\*\* May 21, 2024**

- (54) **CAR GRAB HANDLE**
- (71) Applicant: **Shenzhen Yinglaifa Technology Co., Ltd.**, Shenzhen (CN)
- (72) Inventor: **Yuwang Zou**, Shenzhen (CN)
- (73) Assignee: **SHENZHEN YINGLAIFA TECHNOLOGY CO., LTD.**, Shenzhen (CN)
- (\*\*) Term: **15 Years**
- (21) Appl. No.: **29/867,989**

D198,778 S *	8/1964	Costantini .....	D8/DIG. 1
D277,620 S *	2/1985	Parrochia .....	D8/316
D278,342 S *	4/1985	Damkjaer .....	D15/88
D368,636 S *	4/1996	Planka .....	D8/300
D405,643 S *	2/1999	Coleman .....	D7/402
D419,228 S *	1/2000	Hewitt .....	D23/311
D422,288 S *	4/2000	Alvring .....	D15/89
D482,950 S *	12/2003	Mckenzie .....	D8/320
D737,729 S *	9/2015	Seo .....	D12/114
D775,539 S *	1/2017	Senda .....	D8/317
D775,983 S *	1/2017	Senda .....	D8/317
D889,929 S *	7/2020	Stenhouse .....	D8/316
D1,017,373 S *	3/2024	Tian .....	D12/400
2022/0097582 A1 *	3/2022	Salter .....	B60K 35/215

\* cited by examiner

*Primary Examiner* — Lauren R Calve

- (22) Filed: **Nov. 16, 2022**
- (51) **LOC (14) Cl.** ..... **08-06**
- (52) **U.S. Cl.**  
USPC ..... **D8/300; D12/400**
- (58) **Field of Classification Search**  
USPC ..... D8/300, 303, 307, 313, 314, 315;  
D7/395; D12/400; D32/34  
CPC ..... Y10T 16/469; Y10T 16/476; Y10T  
74/20828; Y10T 74/20822; Y10T 16/466;  
Y10T 16/4713; Y10T 16/4707; Y10T  
16/44; Y10T 74/2078; Y10T 74/20732;  
Y10T 74/20864; Y10T 16/4559; Y10T  
74/2028; Y10T 292/57; Y10T 16/4576;  
Y10T 408/96; Y10T 74/20612; Y10T  
407/1825; Y10T 74/20642; Y10T 408/65;  
Y10T 70/5872; Y10T 74/2042; Y10T  
74/20396; Y10T 29/53943; Y10T  
403/1649; B60N 3/02; B60N 3/023  
See application file for complete search history.

(57) **CLAIM**

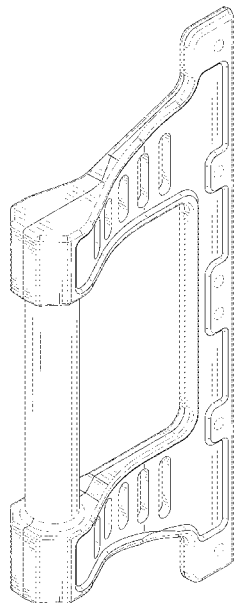
The ornamental design for a car grab handle, as shown and described.

**DESCRIPTION**

FIG. 1 is a perspective view of a car grab handle showing my new design;  
 FIG. 2 is another perspective view thereof;  
 FIG. 3 is a front elevational view thereof;  
 FIG. 4 is a rear elevational view thereof;  
 FIG. 5 is a left side elevational view thereof;  
 FIG. 6 is a right side elevational view thereof;  
 FIG. 7 is a top plan view thereof; and,  
 FIG. 8 is a bottom plan view thereof.  
 The broken lines in the drawings depict portions of the car grab handle that form no part of the claimed design.

- (56) **References Cited**  
U.S. PATENT DOCUMENTS  
D169,518 S \* 5/1953 Raney ..... D8/319  
D190,627 S \* 6/1961 Miller ..... D8/302

**1 Claim, 8 Drawing Sheets**



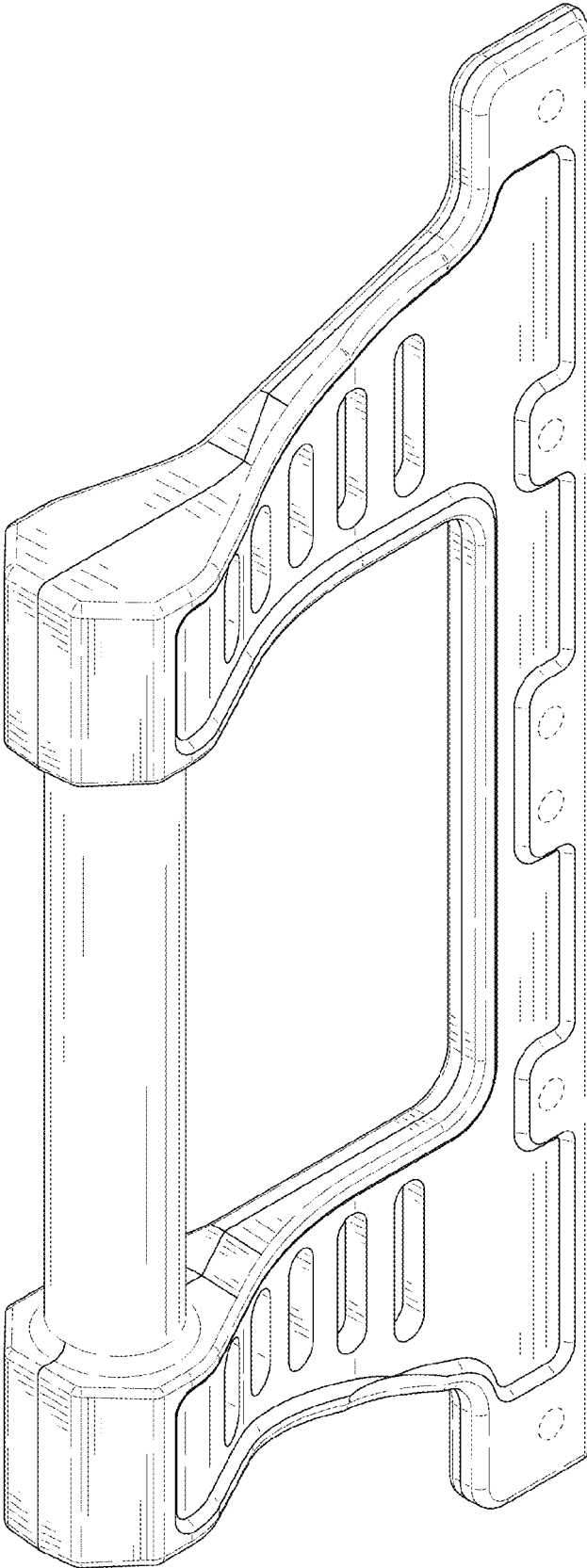


FIG. 1

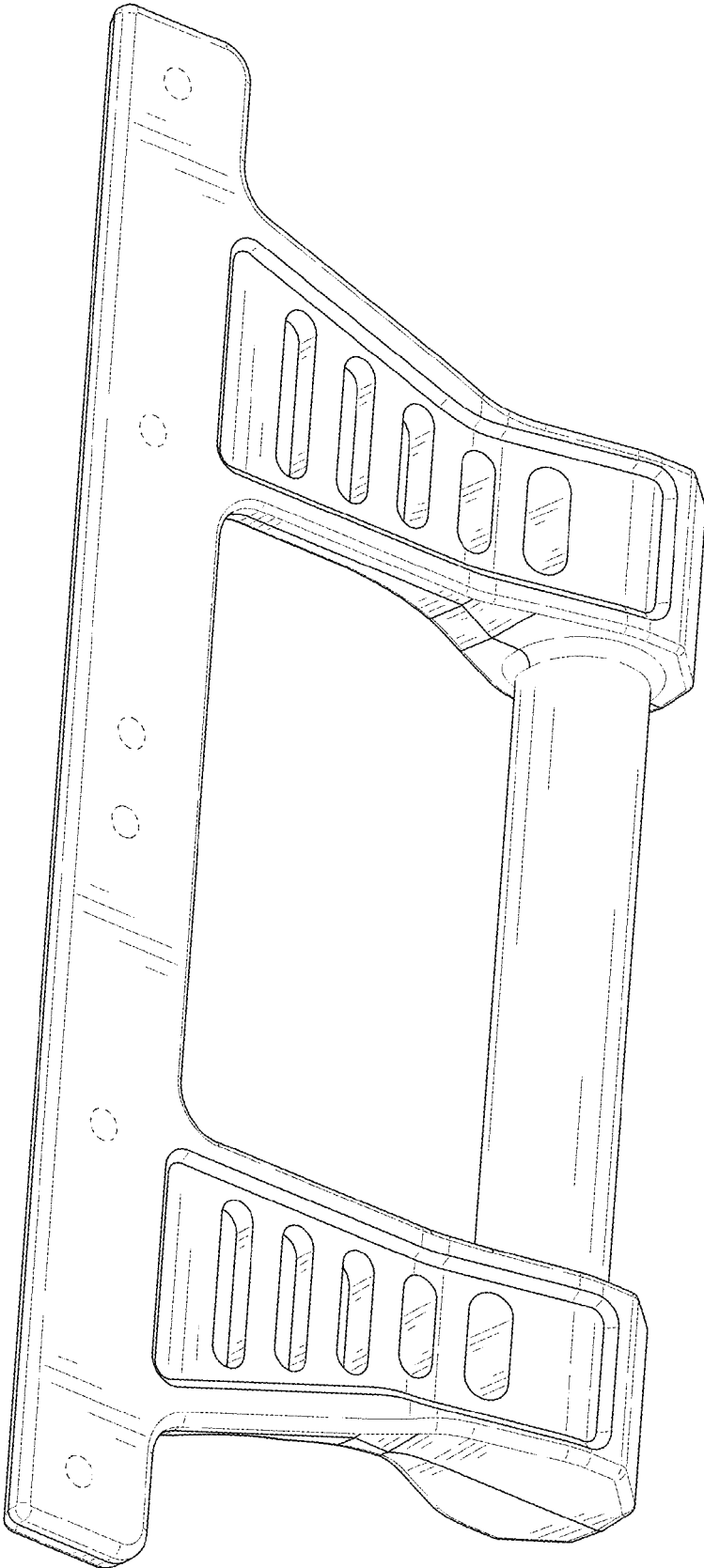


FIG. 2

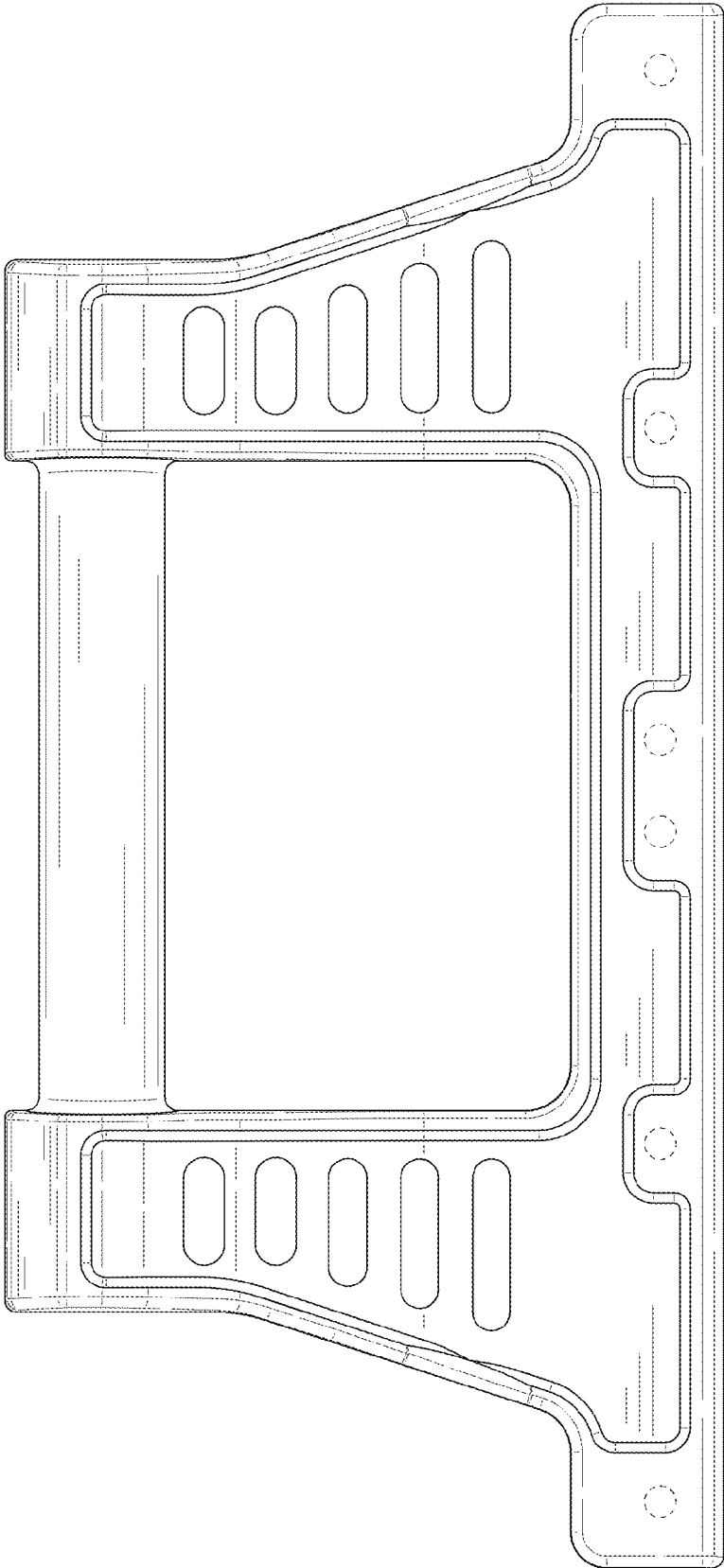


FIG. 3

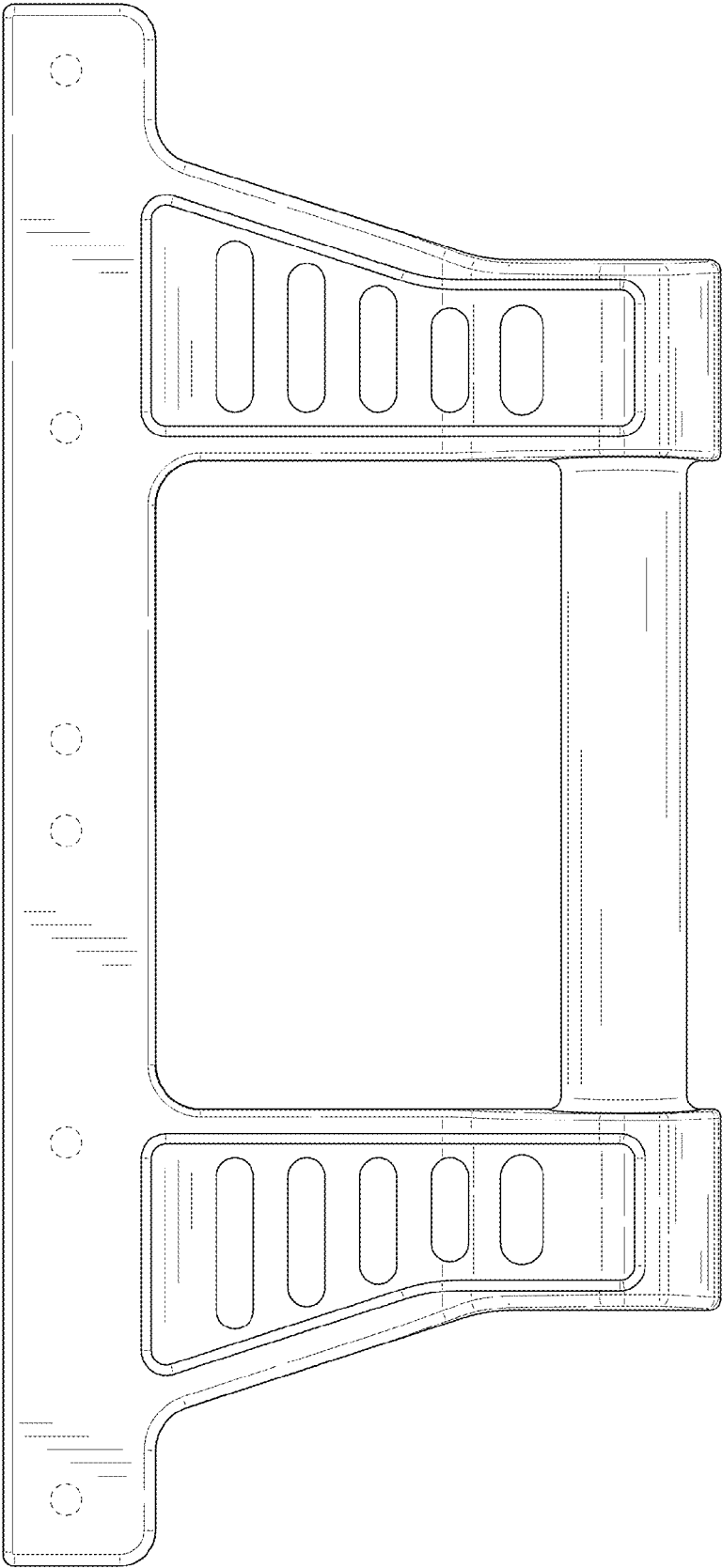


FIG. 4

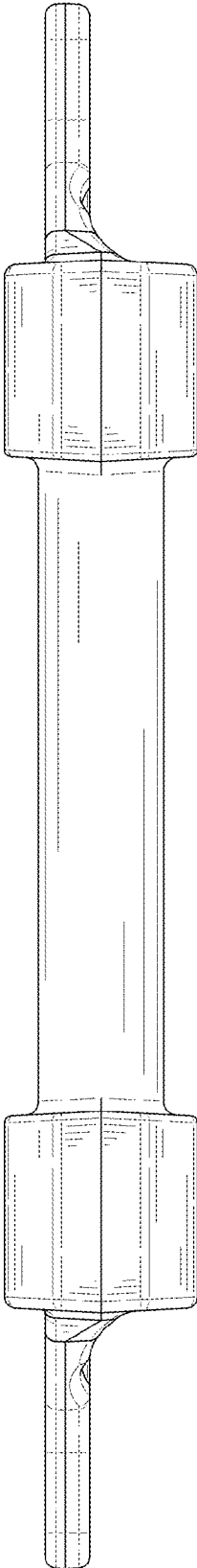


FIG. 5

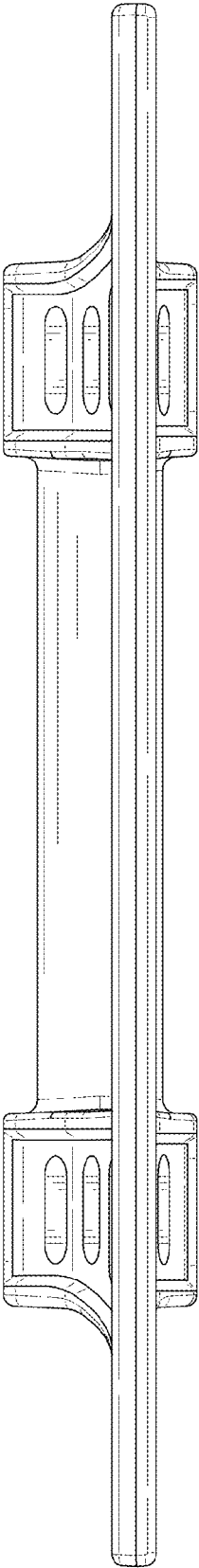


FIG. 6

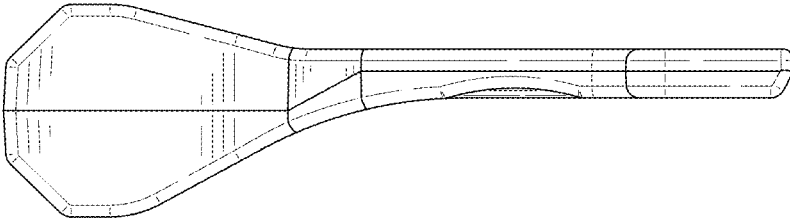


FIG. 7

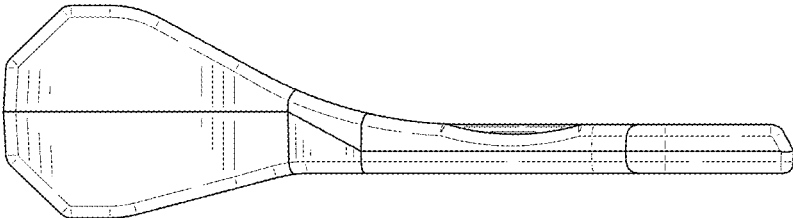


FIG. 8