

(19) World Intellectual Property Organization
International Bureau



(43) International Publication Date
4 April 2002 (04.04.2002)

PCT

(10) International Publication Number
WO 02/028024 A3

(51) International Patent Classification⁷: H04L 12/28

(21) International Application Number: PCT/US01/40585

(22) International Filing Date: 23 April 2001 (23.04.2001)

(25) Filing Language: English

(26) Publication Language: English

(30) Priority Data:
09/671,960 27 September 2000 (27.09.2000) US

(71) Applicant: SHAREWAVE, INC. [US/US]; 5175 Hillsdale Circle, El Dorado Hills, CA 95762 (US).

(81) Designated States (national): AE, AG, AL, AM, AT, AU, AZ, BA, BB, BG, BR, BY, BZ, CA, CH, CN, CO, CR, CU, CZ, DE, DK, DM, DZ, EE, ES, FI, GB, GD, GE, GH, GM, HR, HU, ID, IL, IN, IS, JP, KE, KG, KP, KR, KZ, LC, LK, LR, LS, LT, LU, LV, MA, MD, MG, MK, MN, MW, MX, MZ, NO, NZ, PL, PT, RO, RU, SD, SE, SG, SI, SK, SL, TJ, TM, TR, TT, TZ, UA, UG, UZ, VN, YU, ZA, ZW.

(84) Designated States (regional): ARIPO patent (GH, GM, KE, LS, MW, MZ, SD, SL, SZ, TZ, UG, ZW), Eurasian patent (AM, AZ, BY, KG, KZ, MD, RU, TJ, TM), European patent (AT, BE, CH, CY, DE, DK, ES, FI, FR, GB, GR, IE, IT, LU, MC, NL, PT, SE, TR), OAPI patent (BF, BJ, CF, CG, CI, CM, GA, GN, GW, ML, MR, NE, SN, TD, TG).

Published:
— with international search report

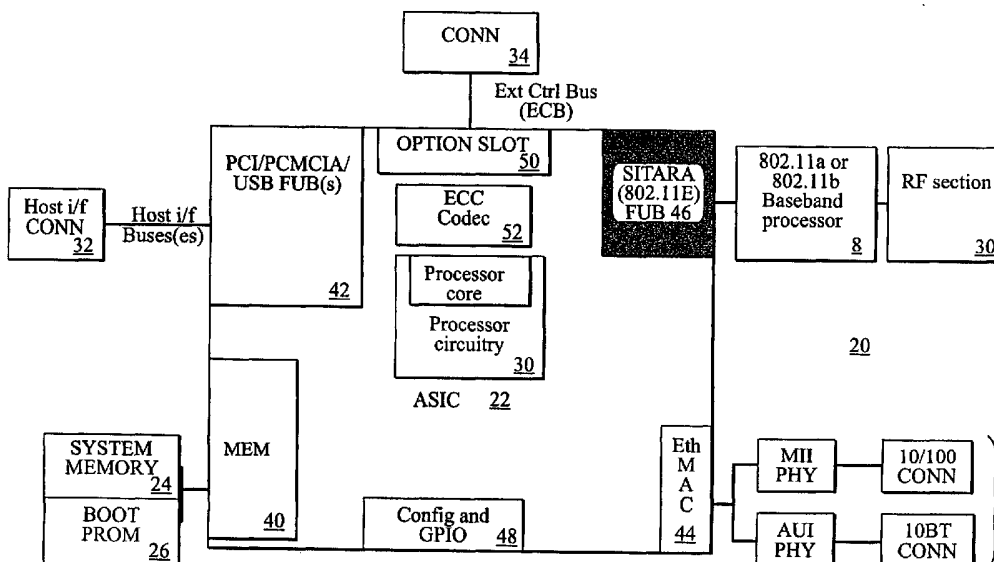
(72) Inventor: GUBBI, Rajugopal, R.; 8842 Winding Way #123, Fair Oaks, CA 95628 (US).

(88) Date of publication of the international search report:
16 January 2003

(74) Agents: MALLIE, Michael, J. et al.; Blakely, Sokoloff, Taylor & Zafman LLP, 12400 Wilshire Boulevard, 7th Floor, Los Angeles, CA 90025 (US).

For two-letter codes and other abbreviations, refer to the "Guidance Notes on Codes and Abbreviations" appearing at the beginning of each regular issue of the PCT Gazette.

(54) Title: ARCHITECTURE FOR A WIRELESS LOCAL AREA NETWORK NODE



(57) Abstract: A medium access control (MAC) layer for a node of a wireless local area network, which may be used in embedded, host and stand-alone applications, includes a hardware layer and a software layer. The hardware layer is configured to perform time-critical tasks and the software layer is configured to perform non-time critical tasks. The software layer includes multiple modules, such as one or more of a host communication agent, a bridging layer, a network management support module, a SBM-TAME conversion module, and a rate estimation module. Further, the software layer acts as the source of and the destination of MAC Service Data Units and is configured as a hierarchical structure in which functional unit blocks for associated elements of the hardware layer communicate with an application layer through respective device drivers and managers. Device drivers and managers communicate through a device manager layer.

WO 02/028024 A3

INTERNATIONAL SEARCH REPORT

International Application No
PCT/US 01/40585

A. CLASSIFICATION OF SUBJECT MATTER
IPC 7 H04L12/28

According to International Patent Classification (IPC) or to both national classification and IPC

B. FIELDS SEARCHED

Minimum documentation searched (classification system followed by classification symbols)
IPC 7 H04L

Documentation searched other than minimum documentation to the extent that such documents are included in the fields searched

Electronic data base consulted during the international search (name of data base and, where practical, search terms used)

EPO-Internal

C. DOCUMENTS CONSIDERED TO BE RELEVANT

Category °	Citation of document, with indication, where appropriate, of the relevant passages	Relevant to claim No.
X	EP 0 789 468 A (AT & T CORP) 13 August 1997 (1997-08-13) column 5, line 38 -column 6, line 32 column 8, line 31 - line 42 column 9, line 30 - line 47	1, 3-9
Y	column 2, line 41 - line 44 ---	2
X	TROTTER J ET AL: "A WIRELESS ADAPTER ARCHITECTURE FOR MOBILE COMPUTING" PROCEEDINGS OF THE USENIX MOBILE AND LOCATION-INDEPENDENT COMPUTING SYMPOSIUM, XX, XX, 10 April 1995 (1995-04-10), pages 25-31, XP000675147 the whole document --- -/--	1

Further documents are listed in the continuation of box C.

Patent family members are listed in annex.

° Special categories of cited documents :

- *A* document defining the general state of the art which is not considered to be of particular relevance
- *E* earlier document but published on or after the international filing date
- *L* document which may throw doubts on priority claim(s) or which is cited to establish the publication date of another citation or other special reason (as specified)
- *O* document referring to an oral disclosure, use, exhibition or other means
- *P* document published prior to the international filing date but later than the priority date claimed

- *T* later document published after the international filing date or priority date and not in conflict with the application but cited to understand the principle or theory underlying the invention
- *X* document of particular relevance; the claimed invention cannot be considered novel or cannot be considered to involve an inventive step when the document is taken alone
- *Y* document of particular relevance; the claimed invention cannot be considered to involve an inventive step when the document is combined with one or more other such documents, such combination being obvious to a person skilled in the art.
- * & * document member of the same patent family

Date of the actual completion of the international search

14 August 2002

Date of mailing of the international search report

10/09/2002

Name and mailing address of the ISA

European Patent Office, P.B. 5818 Patentlaan 2
NL - 2280 HV Rijswijk
Tel. (+31-70) 340-2040, Tx. 31 651 epo nl,
Fax: (+31-70) 340-3016

Authorized officer

Schneider, G

INTERNATIONAL SEARCH REPORT

International Application No
PCT/US 01/40585

C.(Continuation) DOCUMENTS CONSIDERED TO BE RELEVANT		
Category °	Citation of document, with indication, where appropriate, of the relevant passages	Relevant to claim No.
Y	<p>AT&T, LUCENT, SHAREWAVE: "IEEE 802.11 doc 00/071 QoS MAC Enhancements Joint Proposal" IEEE, 1 May 2000 (2000-05-01), pages 1-50, XP002209850 page 10 -page 11 ---</p>	2
A	<p>DRABU YASIR: "A survey of QoS techniques in 802.11" DEPARTMENT OF COMPUTER SCIENCE, KENT STATE UNIVERSITY, January 1999 (1999-01), pages 1-11, XP002209851 -----</p>	

INTERNATIONAL SEARCH REPORT

Information on patent family members

International Application No

PCT/US 01/40585

Patent document cited in search report	Publication date	Patent family member(s)	Publication date	
EP 0789468	A	13-08-1997	US 5889816 A	30-03-1999
			CA 2194922 A1	03-08-1997
			EP 0789468 A1	13-08-1997
			JP 10075278 A	17-03-1998
