

(19) World Intellectual Property
Organization
International Bureau



(43) International Publication Date
23 October 2003 (23.10.2003)

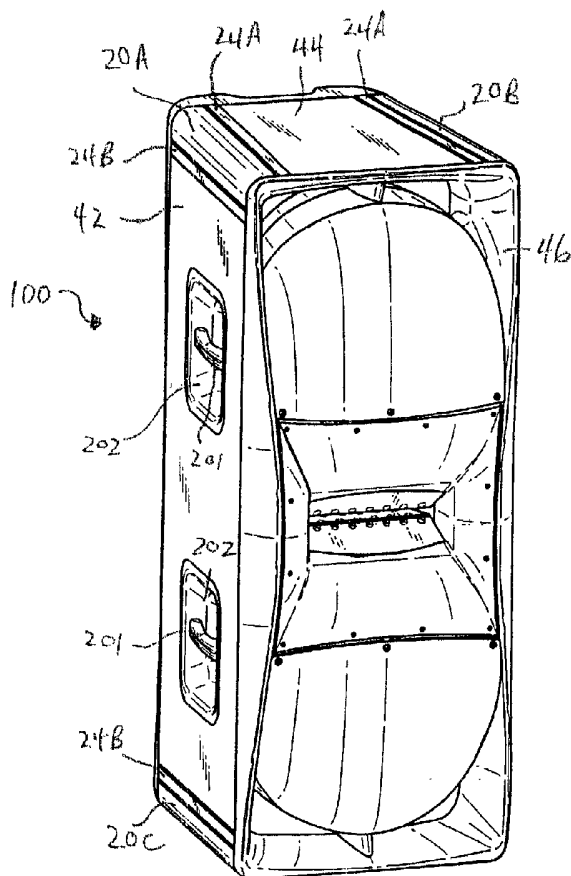
PCT

(10) International Publication Number
WO 2003/086149 A3

- (51) International Patent Classification⁷: **A47B 81/06**
- (21) International Application Number: PCT/US2003/010125
- (22) International Filing Date: 2 April 2003 (02.04.2003)
- (25) Filing Language: English
- (26) Publication Language: English
- (30) Priority Data:
 - 60/370,267 5 April 2002 (05.04.2002) US
 - 60/416,121 4 October 2002 (04.10.2002) US
 - Not furnished 31 March 2003 (31.03.2003) US
- (71) Applicant: **GIBSON GUITAR CORP.** [US/US]; 309 Plus Park Boulevard, Nashville, TN 37217 (US).
- (72) Inventor: **POWELL, Mark, H.**; 13969 Marquesas Way #207B, Marina Del Rey, CA 90292 (US).
- (74) Agent: **SHOUSE, Emily, A.**; WADDEY & PATTERSON, 414 Union Street, Suite 2020, Nashville, TN 37219 (US).
- (81) Designated States (*national*): AE, AG, AL, AM, AT, AU, AZ, BA, BB, BG, BR, BY, BZ, CA, CH, CN, CO, CR, CU, CZ, DE, DK, DM, DZ, EC, EE, ES, FI, GB, GD, GE, GH, GM, HR, HU, ID, IL, IN, IS, JP, KE, KG, KP, KR, KZ, LC, LK, LR, LS, LT, LU, LV, MA, MD, MG, MK, MN, MW, MX, MZ, NI, NO, NZ, OM, PH, PL, PT, RO, RU, SC, SD, SE, SG, SK, SL, TJ, TM, TN, TR, TT, TZ, UA, UG, UZ, VC, VN, YU, ZA, ZM, ZW.
- (84) Designated States (*regional*): ARIPO patent (GH, GM, KE, LS, MW, MZ, SD, SL, SZ, TZ, UG, ZM, ZW), Eurasian patent (AM, AZ, BY, KG, KZ, MD, RU, TJ, TM), European patent (AT, BE, BG, CH, CY, CZ, DE, DK, EE, ES, FI, FR, GB, GR, HU, IE, IT, LU, MC, NL, PT, RO, SE, SI, SK, TR), OAPI patent (BF, BJ, CF, CG, CI, CM, GA, GN, GQ, GW, ML, MR, NE, SN, TD, TG).

[Continued on next page]

(54) Title: MODULAR SPEAKER CONSTRUCTION



(57) Abstract: A housing (10) for a loudspeaker is presented, and which includes a plurality of corner units (20), each of the corner units having a first end and a second end and also has a first inner spline(22A) extending therefrom and a second inner spline(22B) extending therefrom; and a first outer spline (24A) extending therefrom and running generally parallel to the first inner spline and a second outer spline (24B) extending therefrom and running generally parallel to the second inner spline, wherein the first inner spline and the first outer spline cooperate to form a first slot sized to receive a top panel or a bottom panel and the second inner spline and the second outer spline cooperate to form a second slot sized to receive a side panel.

WO 2003/086149 A3



Published:

— *with international search report*

(88) Date of publication of the international search report:

8 January 2004

For two-letter codes and other abbreviations, refer to the "Guidance Notes on Codes and Abbreviations" appearing at the beginning of each regular issue of the PCT Gazette.

INTERNATIONAL SEARCH REPORT

International application No.
PCT/US03/10125

A. CLASSIFICATION OF SUBJECT MATTER

IPC(7) : A47B 81/06

US CL : 181/199

According to International Patent Classification (IPC) or to both national classification and IPC

B. FIELDS SEARCHED

Minimum documentation searched (classification system followed by classification symbols)

U.S. : 181/199

Documentation searched other than minimum documentation to the extent that such documents are included in the fields searched

Electronic data base consulted during the international search (name of data base and, where practicable, search terms used)

EAST

C. DOCUMENTS CONSIDERED TO BE RELEVANT

Category*	Citation of document, with indication, where appropriate, of the relevant passages	Relevant to claim No.
A	US 4,139,734 A (FINCHAM) 13 FEBRUARY 1979, ALL.	1-23
A, P	US 6,425,456 B1 (GEORGE) 30 JUNE 2002, ALL.	1-23
A, E	US 6,571,909 B1 (OLINGER) 03 JUNE 2003, ALL.	1-23
A, P	US 6,513,624 B2 (COFFIN) 04 FEBRUARY 2003, ALL.	1-23

Further documents are listed in the continuation of Box C. See patent family annex.

* Special categories of cited documents:	"T" later document published after the international filing date or priority date and not in conflict with the application but cited to understand the principle or theory underlying the invention
"A" document defining the general state of the art which is not considered to be of particular relevance	"X" document of particular relevance; the claimed invention cannot be considered novel or cannot be considered to involve an inventive step when the document is taken alone
"E" earlier document published on or after the international filing date	"Y" document of particular relevance; the claimed invention cannot be considered to involve an inventive step when the document is combined with one or more other such documents, such combination being obvious to a person skilled in the art
"L" document which may throw doubts on priority claim(s) or which is cited to establish the publication date of another citation or other special reason (as specified)	"&" document member of the same patent family
"O" document referring to an oral disclosure, use, exhibition or other means	
"P" document published prior to the international filing date but later than the priority date claimed	

Date of the actual completion of the international search

26 JUNE 2003

Date of mailing of the international search report

30 SEP 2003

Name and mailing address of the ISA/US
Commissioner of Patents and Trademarks
Box PCT
Washington, D.C. 20231

Facsimile No. (703) 305-3230

Authorized officer

KIMBERLY LOCKETT *Diana Smith*

Telephone No. (703) 308-7615