

(19) World Intellectual Property Organization
International Bureau



(43) International Publication Date
27 July 2006 (27.07.2006)

PCT

(10) International Publication Number
WO 2006/078971 A3

(51) International Patent Classification:

A61F 13/84 (2006.01) A61F 15/00 (2006.01)
A61F 13/551 (2006.01)

(21) International Application Number:

PCT/US2006/002160

(22) International Filing Date: 20 January 2006 (20.01.2006)

(25) Filing Language: English

(26) Publication Language: English

(30) Priority Data:

11/040,154 21 January 2005 (21.01.2005) US
11/196,840 3 August 2005 (03.08.2005) US

(71) Applicant (for all designated States except US): **THE PROCTER & GAMBLE COMPANY** [US/US]; One Procter & Gamble Plaza, Cincinnati, Ohio 45202 (US).

(72) Inventors; and

(75) Inventors/Applicants (for US only): **STELLBRINK, Beate, Rosemarie** [DE/DE]; Sulzbache Strasse 40, 65824 Schwalbach, Hessen (DE). **DENTI, Federica** [IT/DE]; Berliner Strasse 16, 65823 Schwalbach Am Taunus (DE).

(74) Common Representative: **THE PROCTER & GAMBLE COMPANY**; c/o Eileen L. Hughett, The Procter & Gamble Company, Winton Hill Business Center, 6110 Center Hill Road, Cincinnati, Ohio 45224 (US).

(81) Designated States (unless otherwise indicated, for every kind of national protection available): AE, AG, AL, AM, AT, AU, AZ, BA, BB, BG, BR, BW, BY, BZ, CA, CH, CN, CO, CR, CU, CZ, DE, DK, DM, DZ, EC, EE, EG, ES, FI, GB, GD, GE, GH, GM, HR, HU, ID, IL, IN, IS, JP, KE, KG, KM, KN, KP, KR, KZ, LC, LK, LR, LS, LT, LU, LV, LY, MA, MD, MG, MK, MN, MW, MX, MZ, NA, NG, NI, NO, NZ, OM, PG, PH, PL, PT, RO, RU, SC, SD, SE, SG, SK, SL, SM, SY, TJ, TM, TN, TR, TT, TZ, UA, UG, US, UZ, VC, VN, YU, ZA, ZM, ZW.

(84) Designated States (unless otherwise indicated, for every kind of regional protection available): ARIPO (BW, GH, GM, KE, LS, MW, MZ, NA, SD, SL, SZ, TZ, UG, ZM, ZW), Eurasian (AM, AZ, BY, KG, KZ, MD, RU, TJ, TM), European (AT, BE, BG, CH, CY, CZ, DE, DK, EE, ES, FI, FR, GB, GR, HU, IE, IS, IT, LT, LU, LV, MC, NL, PL, PT, RO, SE, SI, SK, TR), OAPI (BF, BJ, CF, CG, CI, CM, GA, GN, GQ, GW, ML, MR, NE, SN, TD, TG).

Published:

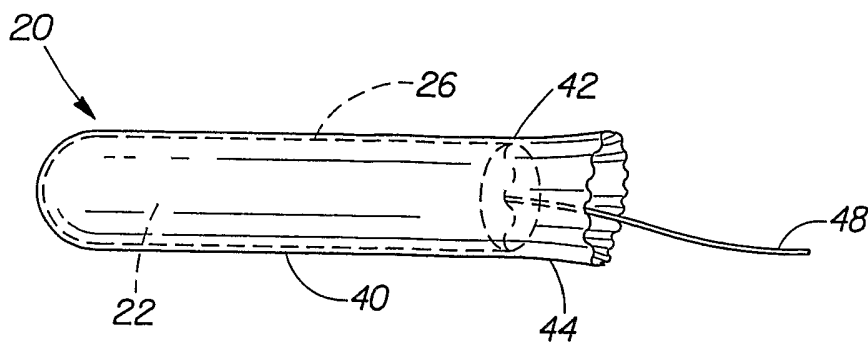
— with international search report

(88) Date of publication of the international search report:

19 October 2006

For two-letter codes and other abbreviations, refer to the "Guidance Notes on Codes and Abbreviations" appearing at the beginning of each regular issue of the PCT Gazette.

(54) Title: PRODUCT ARRAY HAVING INDICATORS



(57) Abstract: An array of disposable absorbent articles having a first article and a second article. The first article has an outer surface wherein the outer surface has an outer surface area and a first identifier having a first surface area. The first identifier is disposed on the first article and corresponds to a first performance characteristic. The second article has an outer surface wherein the outer surface has an outer surface area and a second identifier having a second surface area. The second identifier is disposed on the second article and corresponds to a second performance characteristic. The first article is a different article than said second article.

WO 2006/078971 A3

INTERNATIONAL SEARCH REPORT

International application No
PCT/US2006/002160

A. CLASSIFICATION OF SUBJECT MATTER
INV. A61F13/84 A61F13/551 A61F15/00

According to International Patent Classification (IPC) or to both national classification and IPC

B. FIELDS SEARCHED

Minimum documentation searched (classification system followed by classification symbols)
A61F

Documentation searched other than minimum documentation to the extent that such documents are included in the fields searched

Electronic data base consulted during the international search (name of data base and, where practical, search terms used)

EPO-Internal, PAJ, WPI Data

C. DOCUMENTS CONSIDERED TO BE RELEVANT

Category*	Citation of document, with indication, where appropriate, of the relevant passages	Relevant to claim No.
X	US 2004/050738 A1 (MOLINA LILKAR ZUGEIL ET AL) 18 March 2004 (2004-03-18) paragraphs [0016], [0017], [0028], [0032], [0033], [0035] - [0038], [0044] - [0042], [0058] - [0061]; figures 1-4	1, 3, 5-9
X	US 2003/106825 A1 (MOLINA LILKAR Z ET AL) 12 June 2003 (2003-06-12) paragraphs [0001], [0003], [0011] - [0015], [0022] - [0030], [0034] - [0045]; claims 1-11; figures 1-3	1, 3-9
X	US 2004/102748 A1 (HIROTSU DENNIS OSAMU) 27 May 2004 (2004-05-27) columns 19, 22-29, lines 32, 40; claims 1-11; figure 1	1, 3-9
	----- -/--	

Further documents are listed in the continuation of Box C.

See patent family annex.

* Special categories of cited documents :

- *A* document defining the general state of the art which is not considered to be of particular relevance
- *E* earlier document but published on or after the international filing date
- *L* document which may throw doubts on priority claim(s) or which is cited to establish the publication date of another citation or other special reason (as specified)
- *O* document referring to an oral disclosure, use, exhibition or other means
- *P* document published prior to the international filing date but later than the priority date claimed

- *T* later document published after the international filing date or priority date and not in conflict with the application but cited to understand the principle or theory underlying the invention
- *X* document of particular relevance; the claimed invention cannot be considered novel or cannot be considered to involve an inventive step when the document is taken alone
- *Y* document of particular relevance; the claimed invention cannot be considered to involve an inventive step when the document is combined with one or more other such documents, such combination being obvious to a person skilled in the art.
- *&* document member of the same patent family

Date of the actual completion of the international search

17 July 2006

Date of mailing of the international search report

28/07/2006

Name and mailing address of the ISA/
European Patent Office, P.B. 5818 Patentlaan 2
NL - 2280 HV Rijswijk
Tel. (+31-70) 340-2040, Tx. 31 651 epo nl,
Fax: (+31-70) 340-3016

Authorized officer

Joly, F

INTERNATIONAL SEARCH REPORT

International application No
PCT/US2006/002160

C(Continuation). DOCUMENTS CONSIDERED TO BE RELEVANT		
Category*	Citation of document, with indication, where appropriate, of the relevant passages	Relevant to claim No.
X	WO 02/30347 A (THE PROCTER & GAMBLE COMPANY) 18 April 2002 (2002-04-18) page 1, lines 1-5 page 2, line 9 - page 12, line 2; claims 1-13; figures 1-4 -----	1,3-9
X	US 2003/236485 A1 (FEDYK GLEN CHARLES ET AL) 25 December 2003 (2003-12-25) paragraphs [0037] - [0041], [0052]; figures 1,7-10 -----	1,3-9
X	WO 01/95845 A (SCA HYGIENE PRODUCTS AB; STENBERG, ANDERS) 20 December 2001 (2001-12-20) page 6, lines 4-12; figures 1-4 -----	1,3,7,9
X	US 6 093 027 A (UNGER ET AL) 25 July 2000 (2000-07-25) column 4, lines 4-47 column 15, lines 35-62; figure 1 -----	1,3-10
X	US 2004/122284 A1 (ZUNKER MARYANN) 24 June 2004 (2004-06-24) paragraphs [0007], [0016], [0019], [0021] - [0023], [0026] - [0029], [0032] - [0037]; claims 1,4-13,15,17; figures 1-4 -----	1,2
X	EP 1 306 069 A (UNI-CHARM CORPORATION) 2 May 2003 (2003-05-02) paragraphs [0036] - [0042], [0045], [0055] - [0060], [0063] - [0070], [0073] - [0083], [0090] - [0092], [0094]; figures 1-9 -----	1,3-10
E	WO 2006/066029 A (THE PROCTER & GAMBLE COMPANY; MASON, PETER, CHARLES, JR; VISSCHER, RON) 22 June 2006 (2006-06-22) page 17, lines 9-30 page 18, line 31 - page 24, line 12; figures 11-17 -----	1,3,4,7, 9
E	WO 2006/066032 A (THE PROCTER & GAMBLE COMPANY; HUGHES, JEANNE, MARIE; VISSCHER, RONALD,) 22 June 2006 (2006-06-22) page 16, line 12 - page 17, line 19 page 18, line 31 - page 22, line 32; figures 11-17 -----	1,3,4,7, 9
E	WO 2006/036249 A (KIMBERLY-CLARK WORLDWIDE, INC; CHAKRAVARTY, JAYANT; ZENKER, DAVID, LOU) 6 April 2006 (2006-04-06) paragraph [0047]; claims 1-13; figures 1,2 -----	3,4,7,9
	-/--	

INTERNATIONAL SEARCH REPORT

International application No
PCT/US2006/002160

C(Continuation). DOCUMENTS CONSIDERED TO BE RELEVANT

Category*	Citation of document, with indication, where appropriate, of the relevant passages	Relevant to claim No.
E	WO 2006/068673 A (KIMBERLY-CLARK WORLDWIDE, INC; ZANDER, TERESA, MARIE; CLARK, JAMES, JO) 29 June 2006 (2006-06-29) paragraphs [0022], [0031], [0032]; claims 1-19; figures 7,8 -----	1,3-10
E	EP 1 666 012 A (LIVEDO CORPORATION) 7 June 2006 (2006-06-07) paragraphs [0006], [0021], [0049], [0063], [0066]; figures 3,7,10,11 -----	1,3-5,7, 9
A	US 5 738 646 A (FOX ET AL) 14 April 1998 (1998-04-14) column 4, line 39 - column 5, line 63; figures 1,6,7 column 6, lines 44-67 -----	1,4,5,7, 8
A	US 2002/183681 A1 (BERNARD JOELLA M) 5 December 2002 (2002-12-05) figure 2 -----	1,3
A	EP 1 481 656 A (ONTEX N.V) 1 December 2004 (2004-12-01) figures 1-4 -----	1,3
A	US 4 175 561 A (HIRSCHMAN, SHALOM Z) 27 November 1979 (1979-11-27) figures 4-9 -----	1,3

INTERNATIONAL SEARCH REPORT

Information on patent family members

International application No PCT/US2006/002160

Patent document cited in search report	Publication date	Patent family member(s)	Publication date		
US 2004050738 A1	18-03-2004	AT 319630 T	15-03-2006		
		AU 2002346556 A1	23-06-2003		
		BR 0214688 A	23-11-2004		
		CA 2469007 A1	19-06-2003		
		CN 1592703 A	09-03-2005		
		EP 1451080 A1	01-09-2004		
		JP 2005511431 T	28-04-2005		
		MX PA04005474 A	11-10-2004		
		WO 03050011 A1	19-06-2003		
		US 2003106825 A1	12-06-2003		
US 2003106825 A1	12-06-2003	AT 319630 T	15-03-2006		
		AU 2002346556 A1	23-06-2003		
		BR 0214688 A	23-11-2004		
		CA 2469007 A1	19-06-2003		
		CN 1592703 A	09-03-2005		
		EP 1451080 A1	01-09-2004		
		JP 2005511431 T	28-04-2005		
		MX PA04005474 A	11-10-2004		
		WO 03050011 A1	19-06-2003		
		US 2004050738 A1	18-03-2004		
US 2004102748 A1	27-05-2004	US 2005209576 A1	22-09-2005		
WO 0230347 A	18-04-2002	AU 9702301 A	22-04-2002		
		EP 1324735 A1	09-07-2003		
US 2003236485 A1	25-12-2003	AU 2003279211 A1	06-01-2004		
		CA 2487103 A1	31-12-2003		
		EP 1521564 A2	13-04-2005		
		JP 2005530557 T	13-10-2005		
		WO 2004000186 A2	31-12-2003		
WO 0195845 A	20-12-2001	AT 286702 T	15-01-2005		
		AU 6447101 A	24-12-2001		
		BR 0111490 A	25-03-2003		
		CA 2409558 A1	20-12-2001		
		CN 1436065 A	13-08-2003		
		DE 60108385 D1	17-02-2005		
		DE 60108385 T2	05-01-2006		
		EP 1292258 A1	19-03-2003		
		ES 2236241 T3	16-07-2005		
		JP 2004503297 T	05-02-2004		
		MX PA02011707 A	27-03-2003		
		NZ 522662 A	25-06-2004		
		PL 359184 A1	23-08-2004		
		SE 0002206 A	14-12-2001		
		TW 492860 B	01-07-2002		
		US 6093027 A	25-07-2000	AU 736393 B2	26-07-2001
				AU 3150297 A	05-01-1998
AU 736576 B2	02-08-2001				
AU 3150397 A	05-01-1998				
BR 9709610 A	10-08-1999				
BR 9709628 A	10-08-1999				
CA 2256460 A1	04-12-1997				
CA 2256472 A1	04-12-1997				
CN 1222845 A	14-07-1999				

INTERNATIONAL SEARCH REPORT

Information on patent family members

International application No

PCT/US2006/002160

Patent document cited in search report	Publication date	Patent family member(s)	Publication date	
US 6093027	A	CN 1225572 A	11-08-1999	
		CZ 9803928 A3	14-04-1999	
		DE 69711619 D1	08-05-2002	
		DE 69711619 T2	07-11-2002	
		EG 21517 A	28-11-2001	
		EP 0901361 A1	17-03-1999	
		ES 2171263 T3	01-09-2002	
		HK 1016864 A1	14-02-2003	
		HU 9903585 A2	28-02-2000	
		ID 18944 A	28-05-1998	
		ID 17411 A	24-12-1997	
		JP 2000508215 T	04-07-2000	
		JP 11513916 T	30-11-1999	
		JP 2002177105 A	25-06-2002	
		KR 2000016105 A	25-03-2000	
		KR 2000016187 A	25-03-2000	
		NO 985591 A	01-02-1999	
		TR 9802488 T2	22-03-1999	
		TR 9802490 T2	21-06-2001	
		WO 9745088 A1	04-12-1997	
WO 9745089 A1	04-12-1997			
US 5865322 A	02-02-1999			
US 5839585 A	24-11-1998			
ZA 9704741 A	30-12-1997			
ZA 9704745 A	30-12-1997			
US 2004122284	A1	24-06-2004	AU 2003270590 A1	29-07-2004
			BR 0317116 A	25-10-2005
			CA 2509334 A1	22-07-2004
			EP 1575473 A1	21-09-2005
			MX PA05006134 A	26-08-2005
			WO 2004060256 A1	22-07-2004
EP 1306069	A	02-05-2003	CN 1513430 A	21-07-2004
			JP 2003126140 A	07-05-2003
			TW 565438 B	11-12-2003
			US 2003078553 A1	24-04-2003
WO 2006066029	A	22-06-2006	US 2006129114 A1	15-06-2006
WO 2006066032	A	22-06-2006	US 2006129116 A1	15-06-2006
WO 2006036249	A	06-04-2006	US 2006069372 A1	30-03-2006
WO 2006068673	A	29-06-2006	US 2006135927 A1	22-06-2006
EP 1666012	A	07-06-2006	AU 2004270048 A1	17-03-2005
			CA 2537600 A1	17-03-2005
			JP 2005074157 A	24-03-2005
			WO 2005023160 A1	17-03-2005
US 5738646	A	14-04-1998	AU 681193 B2	21-08-1997
			AU 7799194 A	10-04-1995
			CA 2111300 A1	25-03-1995
			DE 69419320 D1	05-08-1999
			DE 69419320 T2	18-11-1999
			EP 0720464 A1	10-07-1996

INTERNATIONAL SEARCH REPORT

Information on patent family members

International application No PCT/US2006/002160

Patent document cited in search report	Publication date	Patent family member(s)	Publication date
		FR 2710260 A1	31-03-1995
US 5738646 A		GB 2282071 A	29-03-1995
		HK 1000680 A1	17-04-1998
		JP 9502896 T	25-03-1997
		JP 3489833 B2	26-01-2004
		PH 31490 A	03-11-1998
		WO 9508312 A1	30-03-1995
		US 5395308 A	07-03-1995
		ZA 9406558 A	03-04-1995
	<hr style="border-top: 1px dashed black;"/>		
US 2002183681 A1	05-12-2002	US 2003181844 A1	25-09-2003
<hr style="border-top: 1px dashed black;"/>			
EP 1481656 A	01-12-2004	NONE	
<hr style="border-top: 1px dashed black;"/>			
US 4175561 A	27-11-1979	NONE	
<hr style="border-top: 1px dashed black;"/>			